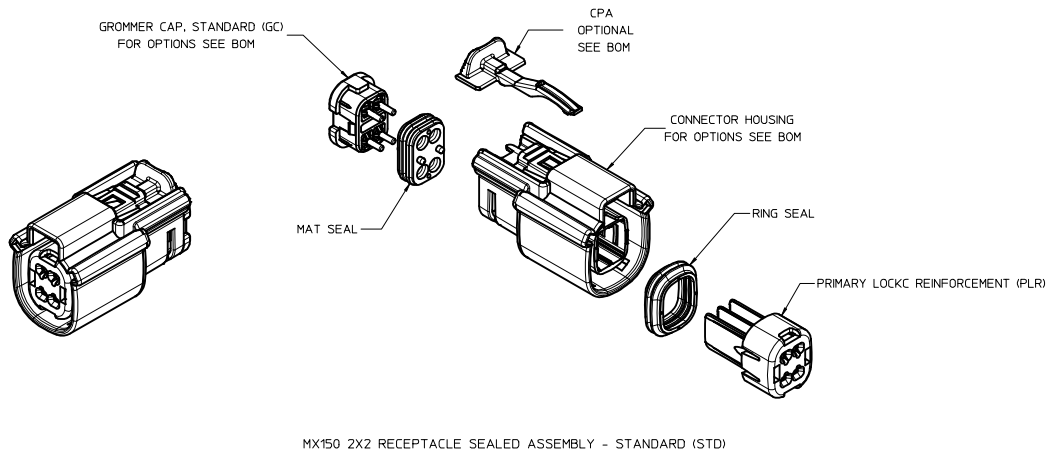
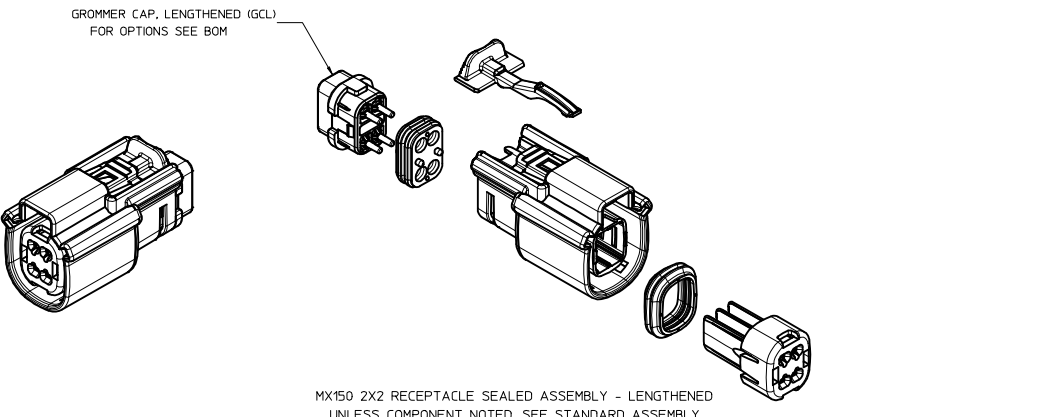


TABLE OF CONTENTS	
SHEET NO.	SHEET DESCRIPTION
1	NOTES
2	KEY CONFIGURATIONS
3	RECEPTACLE SEALED ASSEMBLY
4	BOM



MX150 2X2 RECEPTACLE SEALED ASSEMBLY - STANDARD (STD)



MX150 2X2 RECEPTACLE SEALED ASSEMBLY - LENGTHENED
UNLESS COMPONENT NOTED, SEE STANDARD ASSEMBLY

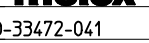
NOTES: VALID UNLESS OTHERWISE SPECIFIED

1. GENERAL:
 - a. APPLICATION SPECIFICATION SEE: AS-33472-100
 - CONTAINS: PRODUCT INTRODUCTION, PRODUCT SUMMARY, CONNECTOR ASSEMBLY, PACKAGING INFORMATION, CONNECTOR MATING, SERVICE INSTRUCTIONS, ELECTRICAL CONTINUITY CHECKING, CRIMPING, AND TROUBLESHOOTING.
 - DESIGNED TO MATE WITH DEVICE CONNECTION AS SPECIFIED IN DRAWING EWCAP 150-S-004-2-202, AVAILABLE AT http://ewcap.uscorteam.org/
 - DESIGNED TO MATE WITH BLADE SEALED ASSEMBLY AS SPECIFIED IN DRAWING SD-33482-041
 - FOR 15mm RECEPTACLE TERMINALS TO BE USED WITH THIS ASSEMBLY. SEE MOLEX DRAWING SD-33012-002.
 - SYSTEM TO BE USED WITH WIRE WITHIN DIAMETER RANGE OF 1.4 mm TO 2.69 mm.
 - ASSEMBLY SHIPPED WITH PLR AND CPA IN PRE-LOCK POSITION (SEE SECTION 2-2, PRE-LOCK).
 - IN THE EVENT THAT THE PLR IS FOUND IN THE SEATED (FINAL LOCK) POSITION, REFER TO MOLEX SPECIFICATION PS-34646-001, AVAILABLE AT http://www.molex.com
 - ASSEMBLY CONFORMS TO SAE/USCAR-2 REV.4 WITH THE FOLLOWING EXCEPTIONS: ENGAGEMENT FORCE TO MOVE CPA FROM PRE-LOCK TO FINAL LOCK POSITION WHEN UNMATED: 40N MIN. DISENGAGEMENT FORCE TO MOVE CPA FROM FINAL LOCK TO PRE-LOCK POSITION: 3N MIN. 40N MAX. TERMINAL INSERTION FORCE FOR WIRE DIAMETER ABOVE 2.5mm NOT EXCEEDING 2.69mm SHALL NOT EXCEED 40 NEWTONS. PLR INSERTION FROM PRE-LOCK TO FINAL LOCK WITH TERMINALS SHALL NOT EXCEED 90N. PLR REMOVAL FROM FINAL LOCK TO PRE-LOCK POSITION SHALL NOT EXCEED 90N.
 - b. PRODUCT SPECIFICATION SEE: PS-33472-000
 - CONTAINS: PRODUCT INTRODUCTION, PRODUCT SUMMARY, RATINGS (CURRENT, TEMPERATURE, SEALING, AND FLAMMABILITY), AND PRODUCT VALIDATION.
 - c. PACKAGING SPECIFICATION PER MOLEX DRAWING: PK-31300-635.
 - d. PARTS MUST BE IN COMPLIANCE TO MOLEX CHEMICAL SUBSTANCES FOR PRODUCTS AND PACKAGING SPECIFICATION: ES-40000-5016
 - e. DATA MUST BE SUBMITTED UNDER THE MOLEX PART NUMBER TO IMDS (COMPANY ID#13255)
2. DESIGN - MATERIALS:
 - a. HOUSING, GROMMET CAP, PLR: SPS/NYLON BLEND, 20% GLASS FILLED
 - b. RING SEAL, MAT SEAL: INHERENTLY LUBRICATED SILICONE
 - c. CPA: PBT, 20% GLASS FILLED
3. DESIGN - GEOMETRY:
 - a. THIS IS A 100% CAD GENERATED PART. THE CAD MATHEMATICAL DATA IS THE MASTER FOR THIS PART. FOR DIMENSIONAL OR ANY INFORMATION NOT SHOWN ON THIS DRAWING, ANALYZE THE CAD MODEL.
 - b. GEOMETRIC DIMENSIONS AND TOLERANCES PER ASME Y14.5M - 1994
 - c. EDGES AND UNDIMENSIONED DETAILS PER ISO13715
 - d. CORNERS SHOWN AS SHARP TO BE R 0.2 MAX
 - e. LETTERING SHALL BE 0.15 MAX RAISED IN 0.25 MAX RECESS PAD. THIS INCLUDES RECYCLING CODE, CAVITY ID, VENDOR IDENTIFICATION, AND CUSTOMER MATERIAL NUMBER.
 - f. VISUAL DEFECTS SHALL MEET COSMETIC STANDARD PS-45499-002 (Class B)
 - g. LASER MARKING: TBD

INSPECTION NUMBER LOG
LAST NUMBER USED:
ADDED:
REMOVED:

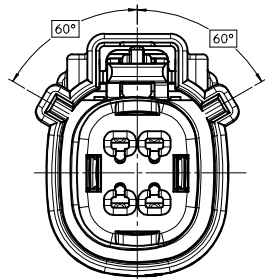
REV	DESCRIPTION
T1	UPDATED NOTES
T	REDRAWN

ENTER DESCRIPTION IEC NO: UAU2013-0441 DRAWN BY: KUNNINGHAM DATE: 2012/09/11 CHKD: APPR: WOSHY	QUALITY SYMBOLS ∇=0 ∇=0 ∇=0	GENERAL TOLERANCES (UNLESS SPECIFIED) mm INCH 4 PLACES ±.004 ±.0015 3 PLACES ±.005 ±.002 2 PLACES ±0.10 ±.004 1 PLACE ±0.3 ±.012 0 PLACE ± ±	DIMENSION STYLE MM ONLY DRAWN BY: DATE MVANSLAMBROU 05-03-06 CHECKED BY: DATE DGRIFFTHS 06-22-06 APPROVED BY: DATE SMARCEAU 06-22-06	SCALE 2:1	DESIGN UNITS METRIC	THIRD ANGLE PROJECTION
	TITLE MX150 2X2 RECEPTACLE SEALED ASSEMBLY MAT SEAL					
	MATERIAL NO. SEE BOM					
	DOCUMENT NO. SD-33472-041					

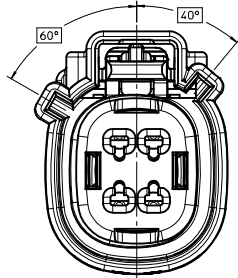


SHEET NO. 1 OF 4

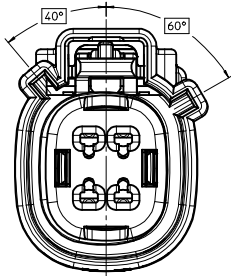
KEY CONFIGURATIONS



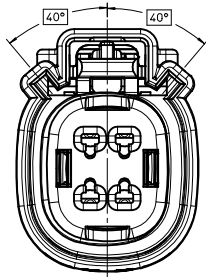
KEY A



KEY B



KEY C

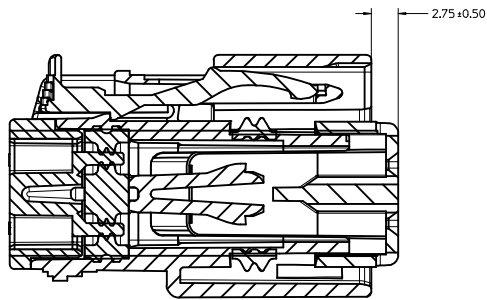
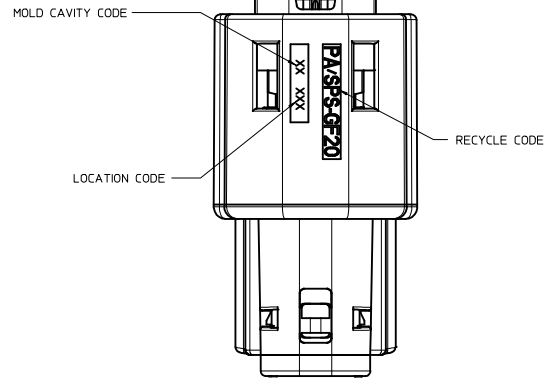
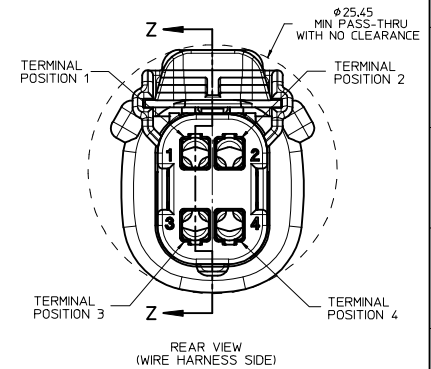
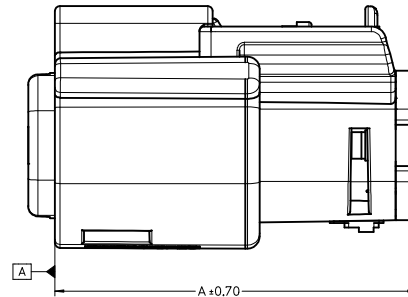
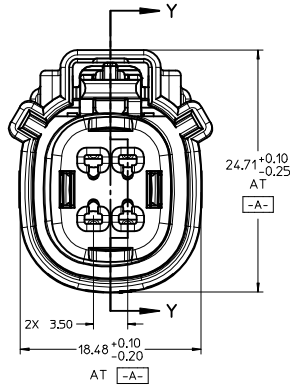
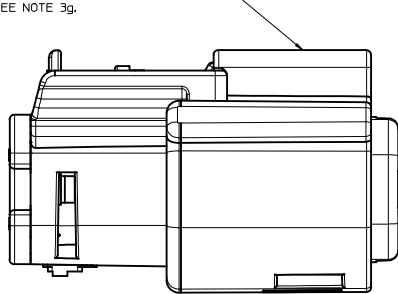


KEY D

ENTER DESCRIPTION IEC NO: UAU2013-0441 DRAWN: CUNNINGHAM 2012/09/11 CHKD: APPR: KOSHY 2012/09/17	QUALITY SYMBOLS ▽=0 ▽=0 ▽=0	GENERAL TOLERANCES (UNLESS SPECIFIED) mm INCH 4 PLACES ± .10 ± .004 3 PLACES ± .15 ± .005 2 PLACES ± 0.10 ± .004 1 PLACE ± 0.3 ± .012 0 PLACE ± ±	DIMENSION STYLE MM ONLY DRAWN BY DATE MYANSLAMBROU 05-03-06 CHECKED BY DATE DGRIFITHS 06-22-06 APPROVED BY DATE SMARCEAU 06-22-06	SCALE 4:1 DESIGN UNITS METRIC THIRD ANGLE PROJECTION	TITLE MX150 2X2 RECEPTACLE SEALED ASSEMBLY MAT SEAL molex	MATERIAL NO. SEE BOM	DOCUMENT NO. SD-33472-041	SHEET NO. 2 OF 4	
	DRAFT WHERE APPLICABLE MUST REMAIN WITHIN DIMENSIONS		ANGULAR ± 3 °	SIZE D		THIS DRAWING CONTAINS INFORMATION THAT IS PROPRIETARY TO MOLEX INCORPORATED AND SHOULD NOT BE USED WITHOUT WRITTEN PERMISSION			
	1								
	1								

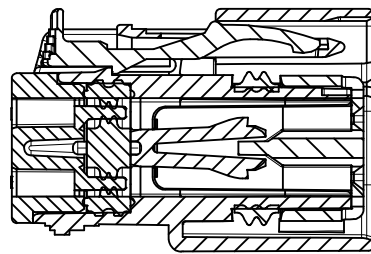
RECEPTACLE SEALED ASSEMBLY

LASER MARKING ON THIS SURFACE
SEE NOTE 3g.



PRIMARY LOCK REINFORCER (PLR) SHOWN
IN PRE-STAGED POSITION

SECTION Z-Z



PRIMARY LOCK REINFORCER (PLR) SHOWN
IN FINAL-LOCK POSITION

SECTION Y-Y

CHARTED DIMENSIONS		
PART NUMBERS	CONFIGURATION	A
33472-0401 THRU 33472-0452	MX150 2X2 RECEPTACLE CONN - STANDARD	36.95
33472-4401 THRU 33472-4412	MX150 2X2 RECEPTACLE CONN - LENGTHENED	4155

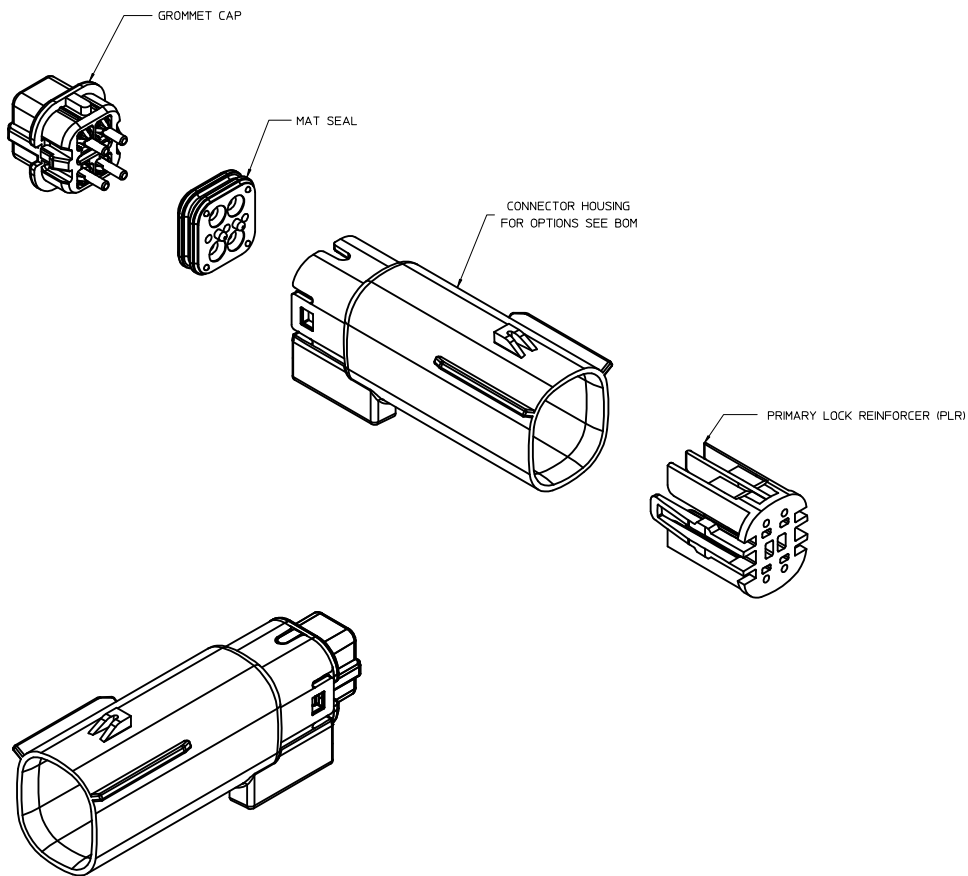
ENTER DESCRIPTION IEC NO. UAU2013-0441 DRAWN/CUNNINGHAM 2012/09/11 CHKD: APPR: WOSHY 2012/09/17 REV DESCRIPTION	QUALITY SYMBOLS ∇=0 ∇=0 ∇=0	GENERAL TOLERANCES (UNLESS SPECIFIED) mm INCH 4 PLACES ± --- ± --- 3 PLACES ± 0.10 ± --- 2 PLACES ± 0.3 ± --- 1 PLACE ± --- ± --- 0 PLACE ± --- ± --- ANGULAR ± 3 ° DRAFT WHERE APPLICABLE MUST REMAIN WITHIN DIMENSIONS	DIMENSION STYLE MM ONLY DRAWN BY DATE MYANSLAMBROU 05-03-06 CHECKED BY DATE DGRIFITHS 06-22-06 APPROVED BY DATE SMARCEAU 06-22-06	SCALE 4:1 DESIGN UNITS METRIC THIRD ANGLE PROJECTION	TITLE MX150 2X2 RECEPTACLE SEALED ASSEMBLY MAT SEAL molex MATERIAL NO. SEE BOM DOCUMENT NO. SD-33472-041	SHEET NO. 3 OF 4
	THIS DRAWING CONTAINS INFORMATION THAT IS PROPRIETARY TO MOLEX INCORPORATED AND SHOULD NOT BE USED WITHOUT WRITTEN PERMISSION					
	SIZE D					
	SEE BOM					

BOM SHEET 1

ASSEMBLY PART NUMBER	COLOR	KEYING OPTION	CAVITY TYPE & STATUS (X = PLUGGED)				CPA	STATUS	COMMENTS
			1	2	3	4			
33472-0401	BLACK	A					-	SALEABLE	RECOMMENDED, TEMPERATURE CLASS 4 (-40°C TO 150°C)
33472-0402	LIGHT GRAY	B					-	SALEABLE	RECOMMENDED, TEMPERATURE CLASS 4 (-40°C TO 150°C)
33472-0403	BROWN	C					-	DESIGN CONCEPT	NOT RECOMMENDED, USE 33472-0442, SAME KEY IN DIFFERENT COLOR
33472-0404	GREEN	D					-	DESIGN CONCEPT	NOT RECOMMENDED, USE 33472-0443, SAME KEY IN DIFFERENT COLOR
33472-0406	BLACK	A					YES	SALEABLE	RECOMMENDED, TEMPERATURE CLASS 4 (-40°C TO 150°C)
33472-0407	LIGHT GRAY	B					YES	SALEABLE	RECOMMENDED, TEMPERATURE CLASS 4 (-40°C TO 150°C)
33472-0408	BROWN	C					YES	DESIGN CONCEPT	NOT RECOMMENDED, USE 33472-0444, SAME KEY IN DIFFERENT COLOR
33472-0409	GREEN	D					YES	DESIGN CONCEPT	NOT RECOMMENDED, USE 33472-0445, SAME KEY IN DIFFERENT COLOR
33472-0431	BLACK	A	X	X	X	X	-	SALEABLE	RECOMMENDED, TEMPERATURE CLASS 4 (-40°C TO 150°C)
33472-0432	LIGHT GRAY	B	X	X	X	X	-	SALEABLE	RECOMMENDED, TEMPERATURE CLASS 4 (-40°C TO 150°C)
33472-0433	BROWN	C	X	X	X	X	-	DESIGN CONCEPT	NOT RECOMMENDED, USE 33472-0446, SAME KEY IN DIFFERENT COLOR
33472-0434	GREEN	D	X	X	X	X	-	DESIGN CONCEPT	NOT RECOMMENDED, USE 33472-0447, SAME KEY IN DIFFERENT COLOR
33472-4401	BLACK	A					-	SALEABLE	RECOMMENDED, TEMPERATURE CLASS 4 (-40°C TO 150°C)
33472-4402	LIGHT GRAY	B					-	SALEABLE	RECOMMENDED, TEMPERATURE CLASS 4 (-40°C TO 150°C)
33472-4403	DARK GRAY	C					-	SALEABLE	RECOMMENDED, TEMPERATURE CLASS 4 (-40°C TO 150°C)
33472-4404	STONE GRAY	D					-	SALEABLE	RECOMMENDED, TEMPERATURE CLASS 4 (-40°C TO 150°C)
33472-4405	BLACK	A					YES	SALEABLE	RECOMMENDED, TEMPERATURE CLASS 4 (-40°C TO 150°C)
33472-4406	LIGHT GRAY	B					YES	SALEABLE	RECOMMENDED, TEMPERATURE CLASS 4 (-40°C TO 150°C)
33472-4407	DARK GRAY	C					YES	SALEABLE	RECOMMENDED, TEMPERATURE CLASS 4 (-40°C TO 150°C)
33472-4408	STONE GRAY	D					YES	SALEABLE	RECOMMENDED, TEMPERATURE CLASS 4 (-40°C TO 150°C)
33472-4409	BLACK	A	X	X	X	X	-	SALEABLE	RECOMMENDED, TEMPERATURE CLASS 4 (-40°C TO 150°C)
33472-4410	LIGHT GRAY	B	X	X	X	X	-	SALEABLE	RECOMMENDED, TEMPERATURE CLASS 4 (-40°C TO 150°C)
33472-4411	DARK GRAY	C	X	X	X	X	-	SALEABLE	RECOMMENDED, TEMPERATURE CLASS 4 (-40°C TO 150°C)
33472-4412	STONE GRAY	D	X	X	X	X	-	SALEABLE	RECOMMENDED, TEMPERATURE CLASS 4 (-40°C TO 150°C)
33472-4413									OBSOLETE
33472-4414									OBSOLETE
33472-4415									OBSOLETE
33472-4416									OBSOLETE
33472-4417									OBSOLETE
33472-0435	BLACK	A	X	X			-	SALEABLE	RECOMMENDED, TEMPERATURE CLASS 4 (-40°C TO 150°C)
33472-0436	BLACK	A	X	X	X		-	SALEABLE	RECOMMENDED, TEMPERATURE CLASS 4 (-40°C TO 150°C)
33472-0437	BLACK	A			X	X	-	SALEABLE	RECOMMENDED, TEMPERATURE CLASS 4 (-40°C TO 150°C)
33472-0438	BLACK	A			X		-	SALEABLE	RECOMMENDED, TEMPERATURE CLASS 4 (-40°C TO 150°C)
33472-0439	BLACK	A			X		-	SALEABLE	RECOMMENDED, TEMPERATURE CLASS 4 (-40°C TO 150°C)
33472-0440	BLACK	A	X	X			-	SALEABLE	RECOMMENDED, TEMPERATURE CLASS 4 (-40°C TO 150°C)
33472-0441	BLACK	A	X	X			-	SALEABLE	RECOMMENDED, TEMPERATURE CLASS 4 (-40°C TO 150°C)
33472-0442	DARK GRAY	C					-	SALEABLE	RECOMMENDED, TEMPERATURE CLASS 4 (-40°C TO 150°C)
33472-0443	STONE GRAY	D					-	SALEABLE	RECOMMENDED, TEMPERATURE CLASS 4 (-40°C TO 150°C)
33472-0444	DARK GRAY	C					YES	SALEABLE	RECOMMENDED, TEMPERATURE CLASS 4 (-40°C TO 150°C)
33472-0445	STONE GRAY	D					YES	SALEABLE	RECOMMENDED, TEMPERATURE CLASS 4 (-40°C TO 150°C)
33472-0446	DARK GRAY	C	X	X	X	X	-	SALEABLE	RECOMMENDED, TEMPERATURE CLASS 4 (-40°C TO 150°C)
33472-0447	STONE GRAY	D	X	X	X	X	-	SALEABLE	RECOMMENDED, TEMPERATURE CLASS 4 (-40°C TO 150°C)
33472-0448	BLACK	A	X	X	X		-	SALEABLE	RECOMMENDED, TEMPERATURE CLASS 4 (-40°C TO 150°C)
33472-0449	BLACK	A	X	X			YES	SALEABLE	RECOMMENDED, TEMPERATURE CLASS 4 (-40°C TO 150°C)
33472-0450	BLACK	A			X		YES	SALEABLE	RECOMMENDED, TEMPERATURE CLASS 4 (-40°C TO 150°C)
33472-0451	BLACK	A			X		YES	SALEABLE	RECOMMENDED, TEMPERATURE CLASS 4 (-40°C TO 150°C)
33472-0452	BLACK	A	X	X			-	SALEABLE	RECOMMENDED, TEMPERATURE CLASS 4 (-40°C TO 150°C)

ENTER DESCRIPTION EC NO. UAU2013-0441 DRAWN/CUNNINGHAM 2012/09/11 CHKD: APPR:VKOSHY 2012/09/17	QUALITY SYMBOLS	GENERAL TOLERANCES (UNLESS SPECIFIED)	DIMENSION STYLE	SCALE	DESIGN UNITS	THIRD ANGLE PROJECTION
	▽=0	4 PLACES ± mm	MM ONLY	DATE	METRIC	DATE
	▽=0	3 PLACES ± 0.10	INCH	MYANSLAMBROU 05-03-06		DATE
	▽=0	2 PLACES ± 0.3		DGRIFLITHS 06-22-06		DATE
		1 PLACE ±		APPROVED BY		DATE
		0 PLACE ±		SMARCEAU 06-22-06		DATE
		ANGULAR ± 3 °		MATERIAL NO.		DOCUMENT NO.
		DRAFT WHERE APPLICABLE MUST REMAIN WITHIN DIMENSIONS		SEE BOM		SD-33472-041
			SIZE D			SHEET NO. 4 OF 4

TABLE OF CONTENTS	
SHEET NO.	SHEET DESCRIPTION
1	NOTES
2	KEY CONFIGURATIONS
3	BLADE SEALED ASSEMBLY
4	SYSTEM PACKAGING
5	BOM



NOTES: VALID UNLESS OTHERWISE SPECIFIED

1. GENERAL:
 - a. APPLICATION SPECIFICATION SEE: AS-33472-100
CONTAINS: PRODUCT INTRODUCTION, PRODUCT SUMMARY, CONNECTOR ASSEMBLY, PACKAGING INFORMATION, CONNECTOR MATING, SERVICE INSTRUCTIONS, ELECTRICAL CONTINUITY CHECKING, CRIMPING, AND TROUBLESHOOTING.
-DESIGNED TO MATE WITH RECEPTACLE SEALED ASSEMBLY SPECIFIED IN MOLEX DRAWING SD-33472-041.
-FOR 15mm BLADE TERMINALS TO BE USED WITH THIS ASSEMBLY SEE MOLEX DRAWING SD-33000-001.
- SYSTEM TO BE USED WITH WIRE WITH DIAMETER RANGE OF 1.4mm TO 2.69mm.
-ASSEMBLY SHIPPED WITH PLR IN PRE-LOCK POSITION
-IN THE EVENT THAT THE PLR IS FOUND IN THE SEATED (FINAL LOCK) POSITION, REFER TO MOLEX SPECIFICATION PS-34646-001, AVAILABLE AT www.molex.com <<http://www.molex.com>>
-ASSEMBLY CONFORMS TO SAE/USCAR-2 REV.4 WITH THE FOLLOWING EXCEPTIONS:
TERMINAL INSERTION FORCE FOR WIRE DIAMETER ABOVE 2.5mm NOT EXCEEDING 2.69mm SHALL NOT EXCEED 45 NEWTONS.
 - b. PRODUCT SPECIFICATION SEE: PS-33472-000
CONTAINS: PRODUCT INTRODUCTION, PRODUCT SUMMARY, RATINGS (CURRENT, TEMPERATURE, SEALING, AND FLAMMABILITY), AND PRODUCT VALIDATION.
 - c. PACKAGING SPECIFICATION PER MOLEX DRAWING: PK-31300-635
 - d. PARTS MUST BE IN COMPLIANCE TO MOLEX CHEMICAL SUBSTANCES FOR PRODUCTS AND PACKAGING SPECIFICATION: ES-40000-5016
 - e. DATA MUST BE SUBMITTED UNDER THE MOLEX PART NUMBER TO IMDS (COMPANY ID#13255)
2. DESIGN - MATERIALS:
 - a. CONNECTOR HOUSING, GROMMET CAP, PLR: SPS/NYLON 20% GLASS FILLED
 - b. MAT SEAL: INTERNALLY LUBRICATED SILICONE
3. DESIGN - GEOMETRY:
 - a. THIS IS A 100% CAD GENERATED PART. THE CAD MATHEMATICAL DATA IS THE MASTER FOR THIS PART. FOR DIMENSIONAL OR ANY INFORMATION NOT SHOWN ON THIS DRAWING, ANALYZE THE CAD MODEL.
 - b. GEOMETRIC DIMENSIONS AND TOLERANCES PER ASME Y14.5M - 1994
 - c. EDGES AND UNDIMENSIONED DETAILS PER ISO13715
 - d. CORNERS SHOWN AS SHARP TO BE R 0.2 MAX.
 - e. LETTERING SHALL BE 0.15 MAX RAISED IN 0.25 MAX RECESS PAD. THIS INCLUDES RECYCLING CODE, CAVITY ID, VENDOR IDENTIFICATION, AND CUSTOMER MATERIAL NUMBER.
 - f. VISUAL DEFECTS SHALL MEET COSMETIC STANDARD PS-45499-002 (Class B)
 - g. LASER MARKING: TBD

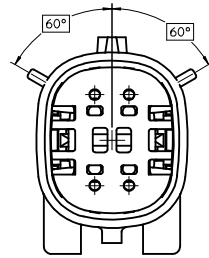
INSPECTION NUMBER LOG
LAST NUMBER USED:
ADDED:
REMOVED:

Q	UPDATED GROMMET CAP	
P3	UPDATED DIMENSIONS	
P2	UPDATED DIMENSIONS TO MATCH MODEL	
P1	UPDATED NOTES	
P	REDRAWN	
REV	DESCRIPTION	
SCALE	DESIGN UNITS	THIRD ANGLE
3:1	METRIC	PROJECTION
TITLE		
MX150 2X2 BLADE SEALED ASSEMBLY MAT SEAL		
molex		
MATERIAL NO.	DOCUMENT NO.	SHEET NO.
SEE BOM	SD-33482-041	1 OF 5
THIS DRAWING CONTAINS INFORMATION THAT IS PROPRIETARY TO MOLEX INCORPORATED AND SHOULD NOT BE USED WITHOUT WRITTEN PERMISSION		

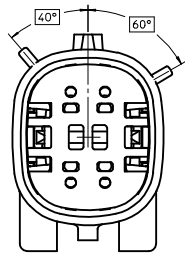
REV	DESCRIPTION	QUALITY SYMBOLS		GENERAL TOLERANCES (UNLESS SPECIFIED)		DIMENSION STYLE	
		mm	INCH	mm	INCH	MM ONLY	DATE
4	PLACES	±	---	±	---	MM ONLY	04-27-06
3	PLACES	±	---	±	---	MM ONLY	06-22-06
2	PLACES	±	0.10	±	---	MM ONLY	06-22-06
1	PLACE	±	0.3	±	---	MM ONLY	06-22-06
0	PLACE	±		±	---	MM ONLY	06-22-06
		ANGULAR ± 3 °					
		DRAFT WHERE APPLICABLE MUST REMAIN WITHIN DIMENSIONS					

REVISED	EC NO: UAU2003-1473	2013/03/17
DRAWN BY	CHYKORUTTER	2013/03/20
CHECKED BY	APPROFIT	2013/03/20
APPROVED BY	IKOSHY	2013/03/20

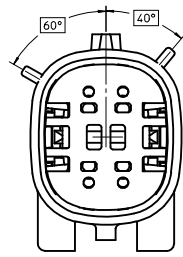
KEY CONFIGURATIONS



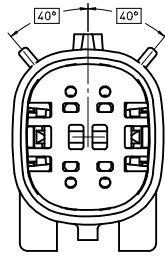
KEY A



KEY B

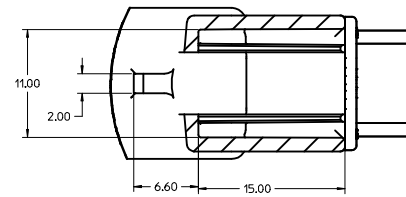
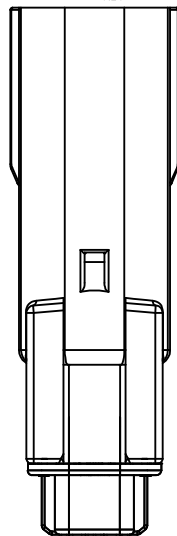
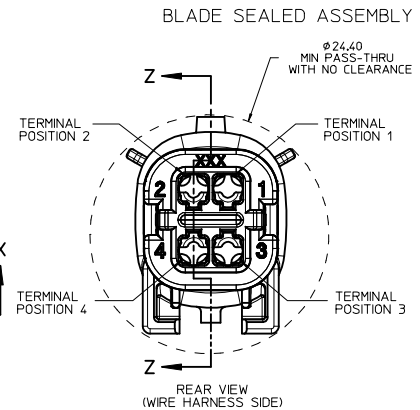
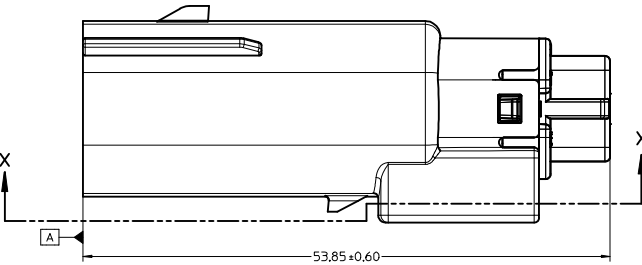
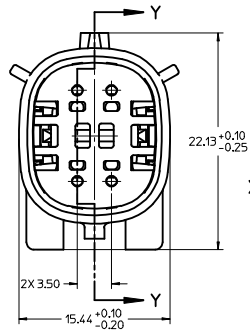
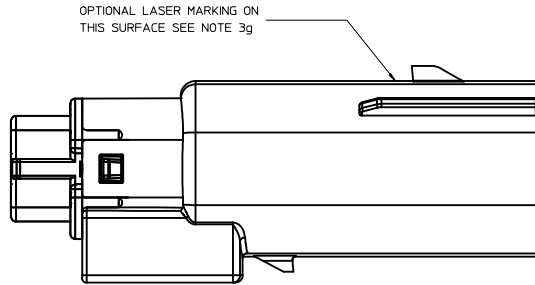


KEY C

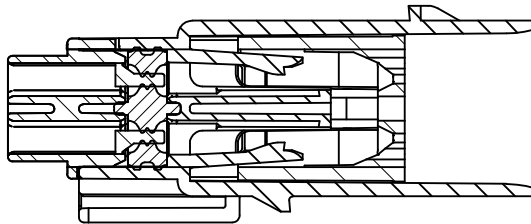


KEY D

REVISED IEC NO. UAU2013-1473 DRAWN BY: CHYK CHECKED BY: APPROV: KYOSHY 2013/03/17 2013/03/20 2013/03/20	QUALITY SYMBOLS ▽=0 ▽=0 ▽=0	GENERAL TOLERANCES (UNLESS SPECIFIED)		DIMENSION STYLE MM ONLY	SCALE 4:1	DESIGN UNITS METRIC	THIRD ANGLE PROJECTION
		4 PLACES ± mm ± INCH 3 PLACES ± ± ± 2 PLACES ±0.10 ± ± ± 1 PLACE ±0.3 ± ± ± 0 PLACE ± ± ±	DRAWN BY: MYANSLAMBROU CHECKED BY: DGRIFITHS APPROVED BY: SMARCEAU DATE: 04-27-06 DATE: 06-22-06 DATE: 06-22-06	TITLE MX150 2X2 BLADE SEALED ASSEMBLY MAT SEAL		MATERIAL NO. SEE BOM	DOCUMENT NO. SD-33482-041
DRAFT WHERE APPLICABLE MUST REMAIN WITHIN DIMENSIONS		THIS DRAWING CONTAINS INFORMATION THAT IS PROPRIETARY TO MOLEX INCORPORATED AND SHOULD NOT BE USED WITHOUT WRITTEN PERMISSION					

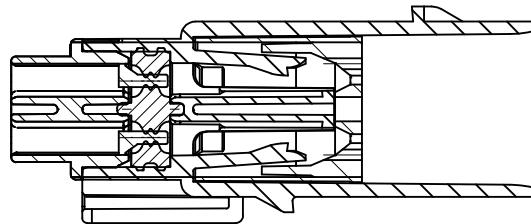


PARTIAL X-X
SCALE 4:1



PRIMARY LOCK REINFORCER (PLR) SHOWN
IN PRE-STAGED POSITION

SECTION Z-Z



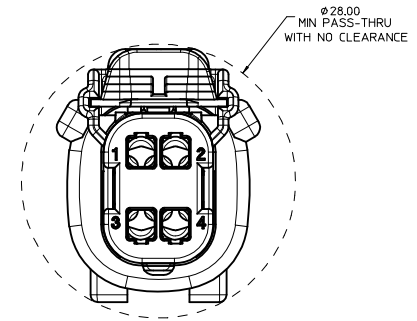
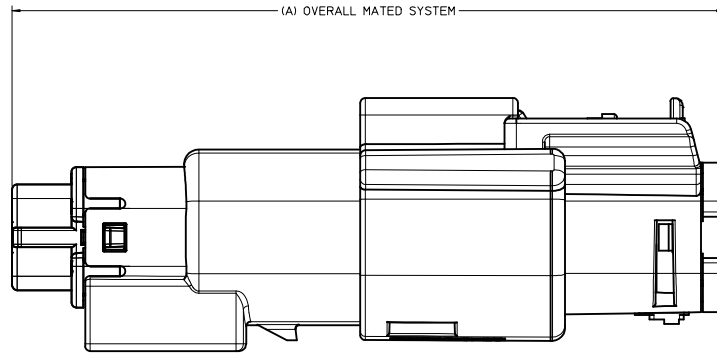
PRIMARY LOCK REINFORCER (PLR) SHOWN
IN FINAL LOCK POSITION

SECTION Y-Y

REVISED IEC NO. UAU2013-1473 DRAWN BY CHYKORUTTER CHECKED BY CHYKOROFF/IT APPR. BY KOSHY 2013/03/17 2013/03/20 2013/03/20	QUALITY SYMBOLS	GENERAL TOLERANCES (UNLESS SPECIFIED)	DIMENSION STYLE	SCALE	DESIGN UNITS	THIRD ANGLE PROJECTION	
	∇=0 ∇=0 ∇=0	4 PLACES ± mm 3 PLACES ± INCH 2 PLACES ± 0.10 1 PLACE ± 0.3 0 PLACE ±	MM ONLY	4:1	METRIC	DRAWN BY MYANSLAMBROU CHECKED BY DGRIFITHS APPROVED BY SMARCEAU DATE 04-27-06 DATE 06-22-06 DATE 06-22-06	MX150 2X2 BLADE SEALED ASSEMBLY MAT SEAL molex
	ANGLAR ± 3 ° DRAFT WHERE APPLICABLE MUST REMAIN WITHIN DIMENSIONS	MATERIAL NO. SEE BOM SIZE D	DOCUMENT NO. SD-33482-041 SHEET NO. 3 OF 5	THIS DRAWING CONTAINS INFORMATION THAT IS PROPRIETARY TO MOLEX INCORPORATED AND SHOULD NOT BE USED WITHOUT WRITTEN PERMISSION			

20 19 18 17 16 15 14 13 12 11 10 9 8 7 6 5 4 3 2 1

SYSTEM PACKAGING



CHARTED DIMENSIONS		
RECEPTACLE ASSY PART NUMBER	CONFIGURATION	A
33472-0401 THRU 33472-0452	MX150 2X2 RECEPTACLE SEALED ASSEMBLY - STANDARD	72.78
33472-4401 THRU 33472-4412	MX150 2X2 RECEPTACLE SEALED ASSEMBLY - LENGTHENED	77.21

REVISED IEC NO. UAU2013-1473 DRAWN BY: J. RITTER CHKD: PROFFITT APPR: W. KOSHY	2013/03/17 2013/03/20 2013/03/20	QUALITY SYMBOLS ▽=0 ▽=0 ▽=0	GENERAL TOLERANCES (UNLESS SPECIFIED) mm INCH 4 PLACES ± .10 ± .004 3 PLACES ± .15 ± .005 2 PLACES ± 0.30 ± .012 1 PLACE ± 0.75 ± .030 0 PLACE ± 1.50 ± .060 ANGULAR ± 3 ° DRAFT WHERE APPLICABLE MUST REMAIN WITHIN DIMENSIONS	DIMENSION STYLE MM ONLY DRAWN BY: MYANSLAMBROU CHECKED BY: D. GRIFFITHS APPROVED BY: SMARCEAU	DATE: 04-27-06 DATE: 06-22-06 DATE: 06-22-06	SCALE: 4:1 DESIGN UNITS: METRIC THIRD ANGLE PROJECTION	TITLE: MX150 2X2 BLADE SEALED ASSEMBLY MAT SEAL molex	MATERIAL NO.: SEE BOM DOCUMENT NO.: SD-33482-041	SHEET NO.: 4 OF 5

19 18 17 16 15 14 13 12 11 10 9 8 7 6 5 4 3 2 1

ASSEMBLY PART NUMBER	COLOR	KEYING OPTION	CAVITY TYPE & STATUS (X = PLUGGED)				STATUS	COMMENTS
			1	2	3	4		
33482-0401	BLACK	A					SALEABLE	RECOMMENDED, TEMPERATURE CLASS 4 (-40°C TO 150°C)
33482-0402	LIGHT GRAY	B					SALEABLE	RECOMMENDED, TEMPERATURE CLASS 4 (-40°C TO 150°C)
33482-0403	BROWN	C					DESIGN CONCEPT	NOT RECOMMENDED, USE 33482-4403, SAME KEY IN DIFFERENT COLOR
33482-0404	GREEN	D					DESIGN CONCEPT	NOT RECOMMENDED, USE 33482-4404, SAME KEY IN DIFFERENT COLOR
33482-0406	BLACK	A		X			SALEABLE	RECOMMENDED, TEMPERATURE CLASS 4 (-40°C TO 150°C)
33482-0407	LIGHT GRAY	B		X			SALEABLE	RECOMMENDED, TEMPERATURE CLASS 4 (-40°C TO 150°C)
33482-0408	BROWN	C		X			DESIGN CONCEPT	NOT RECOMMENDED, USE 33482-4405, SAME KEY IN DIFFERENT COLOR
33482-0409	GREEN	D		X			DESIGN CONCEPT	NOT RECOMMENDED, USE 33482-4406, SAME KEY IN DIFFERENT COLOR
33482-0411	BLACK	A		X	X		SALEABLE	RECOMMENDED, TEMPERATURE CLASS 4 (-40°C TO 150°C)
33482-0412	LIGHT GRAY	B		X	X		SALEABLE	RECOMMENDED, TEMPERATURE CLASS 4 (-40°C TO 150°C)
33482-0413	BROWN	C		X	X		DESIGN CONCEPT	NOT RECOMMENDED, USE 33482-4407, SAME KEY IN DIFFERENT COLOR
33482-0414	GREEN	D		X	X		DESIGN CONCEPT	NOT RECOMMENDED, USE 33482-4408, SAME KEY IN DIFFERENT COLOR
33482-0416	BLACK	A	X	X	X	X	SALEABLE	RECOMMENDED, TEMPERATURE CLASS 4 (-40°C TO 150°C)
33482-0417	LIGHT GRAY	B	X	X	X	X	SALEABLE	RECOMMENDED, TEMPERATURE CLASS 4 (-40°C TO 150°C)
33482-0418	BROWN	C	X	X	X	X	DESIGN CONCEPT	NOT RECOMMENDED, USE 33482-4409, SAME KEY IN DIFFERENT COLOR
33482-0419	GREEN	D	X	X	X	X	DESIGN CONCEPT	NOT RECOMMENDED, USE 33482-4410, SAME KEY IN DIFFERENT COLOR
33482-0421	BLACK	A	X	X	X		SALEABLE	RECOMMENDED, TEMPERATURE CLASS 4 (-40°C TO 150°C)
33482-0422	BLACK	A				X	SALEABLE	RECOMMENDED, TEMPERATURE CLASS 4 (-40°C TO 150°C)
33482-0423	BLACK	A			X	X	SALEABLE	RECOMMENDED, TEMPERATURE CLASS 4 (-40°C TO 150°C)
33482-0424	BLACK	A			X		SALEABLE	RECOMMENDED, TEMPERATURE CLASS 4 (-40°C TO 150°C)
33482-0425	BLACK	A	X	X			SALEABLE	RECOMMENDED, TEMPERATURE CLASS 4 (-40°C TO 150°C)
33482-4403	DARK GRAY	C					SALEABLE	RECOMMENDED, TEMPERATURE CLASS 4 (-40°C TO 150°C)
33482-4404	STONE GRAY	D					SALEABLE	RECOMMENDED, TEMPERATURE CLASS 4 (-40°C TO 150°C)
33482-4405	DARK GRAY	C		X			SALEABLE	RECOMMENDED, TEMPERATURE CLASS 4 (-40°C TO 150°C)
33482-4406	STONE GRAY	D		X			SALEABLE	RECOMMENDED, TEMPERATURE CLASS 4 (-40°C TO 150°C)
33482-4407	DARK GRAY	C		X	X		SALEABLE	RECOMMENDED, TEMPERATURE CLASS 4 (-40°C TO 150°C)
33482-4408	STONE GRAY	D		X	X		SALEABLE	RECOMMENDED, TEMPERATURE CLASS 4 (-40°C TO 150°C)
33482-4409	DARK GRAY	C	X	X	X	X	SALEABLE	RECOMMENDED, TEMPERATURE CLASS 4 (-40°C TO 150°C)
33482-4410	STONE GRAY	D	X	X	X	X	SALEABLE	RECOMMENDED, TEMPERATURE CLASS 4 (-40°C TO 150°C)
33482-4411	BLACK	A		X		X	SALEABLE	RECOMMENDED, TEMPERATURE CLASS 4 (-40°C TO 150°C)

REVISED IEC NO. UAU2013-1473 2013/03/17 DRAWN BY: CHYK 2013/03/20 CHECKED BY: APPROV: ITT 2013/03/20 APPR: VKOSHY 2013/03/20 DESCRIPTION	QUALITY SYMBOLS	GENERAL TOLERANCES (UNLESS SPECIFIED)	DIMENSION STYLE	SCALE	DESIGN UNITS	THIRD ANGLE PROJECTION
	∇=0 ∇=0 ∇=0	mm INCH 4 PLACES ± --- ± --- 3 PLACES ± --- ± --- 2 PLACES ± 0.10 ± --- 1 PLACE ± 0.3 ± --- 0 PLACE ± ±	MM ONLY	DATE	METRIC	MYANSLAMBROU 04-27-06 DGRIFITHS 06-22-06 SMARCEAU 06-22-06
	ANGULAR ± 3 °	DRAFT WHERE APPLICABLE MUST REMAIN WITHIN DIMENSIONS	MATERIAL NO.	DATE	DOCUMENT NO.	SHEET NO.
			SEE BOM		SD-33482-041	5 OF 5
			THIS DRAWING CONTAINS INFORMATION THAT IS PROPRIETARY TO MOLEX INCORPORATED AND SHOULD NOT BE USED WITHOUT WRITTEN PERMISSION			