



Tel (toll-free): +1-855-32-AAVID

[Register](#) [Log in](#)

Home	Products	Solutions	Aavid Design	Tools & Docs	Contact	Company	Online Store
----------------------	--------------------------	---------------------------	------------------------------	----------------------------------	-------------------------	-------------------------	------------------------------

» [BGA Heat Sinks](#)

10-5607-05G

Square heat sink with Push Pin attachment
RoHS: compliant



Qty in stock: 0

Enter QTY:

Email estore@aavid.com for availability

Need assistance?

Call us: 1-855-32-AAVID

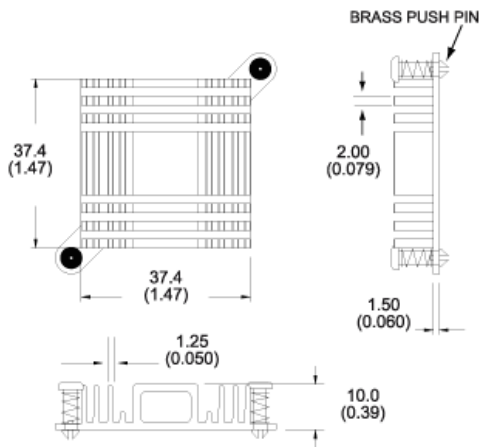
Email: estore@aavid.com

» [Help Page](#)

Features

- Simple tool-free installation
- Springs maintain constant and uniform pressure to ensure reliable thermal contact
- Mechanical attachment provides secure mounting where vibration is a concern
- Fits industry Standard Hole patterns
- Accommodates up to 4mm stack height (typical 1.5mm PCB and 2.5 mm BGA package)

Note: Part should be orientated to allow airflow through hollow channel



Hole Drawing:

[Request a Sample](#) ▶

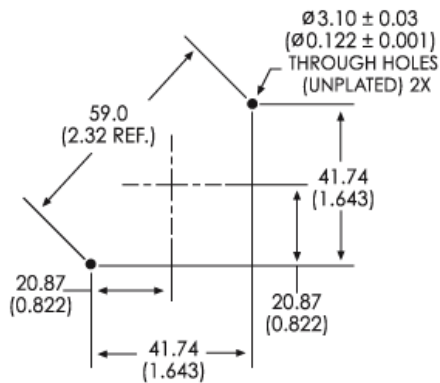
[Request a Quote](#) ▶

[Ask an Engineer](#) ▶

» [Product Return Policy](#)

» [Terms & Conditions](#)

» [Privacy Policy](#)



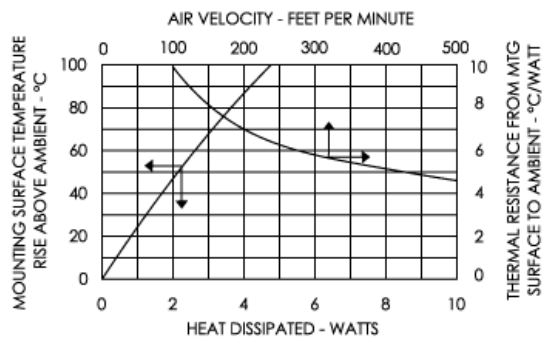
Width: 37.40
Length: 37.40
Height: 10.00
Base Thickness: 1.50
Fin Thickness: Length 2.00, Width 1.25
of Fins: Length 7, Width 9
Fin Tip to Tip: 0.00
Finish: Black Anodize

Thermal Performance

Natural Convection: 22.10
 (based on a heatsink temperature rise of 75°C above ambient)

Forced convection: 6.99
 based on fully ducted airflow entering at 1.0 m/s (197 LFM).

Thermal Curve:



Customer Assistance

- [Contact Us](#)
- [Get Design assistance](#)
- [Find a Distributor](#)
- [Find a Sales Rep](#)
- [Request a Quote](#)
- [Placing an Order](#)
- [Terms and Conditions](#)
- [Returns](#)

Popular Products

- [Extrusions](#)
- [Board Level](#)
- [Liquid Cooling](#)
- [Heat Pipe Technology](#)
- [Heat Sink Accessories](#)
- [Interface Materials](#)

Our Company

- [About Aavid](#)
- [News and Events](#)
- [Management Team](#)
- [Worldwide Locations](#)
- [Directions to Headquarters](#)
- [Disclaimer](#)
- [Customer Survey](#)
- [Privacy Policy](#)

Sign up to receive Aavid news & alerts



Aavid will lead the electronics thermal management industry worldwide. We will be the first company customers call to enable their thermal designs anywhere in the world. We will respond with extraordinary speed and will provide them with timely and cost-effective solutions because we understand their needs, their industry, and their culture. 2012 Aavid Thermalloy, LLC