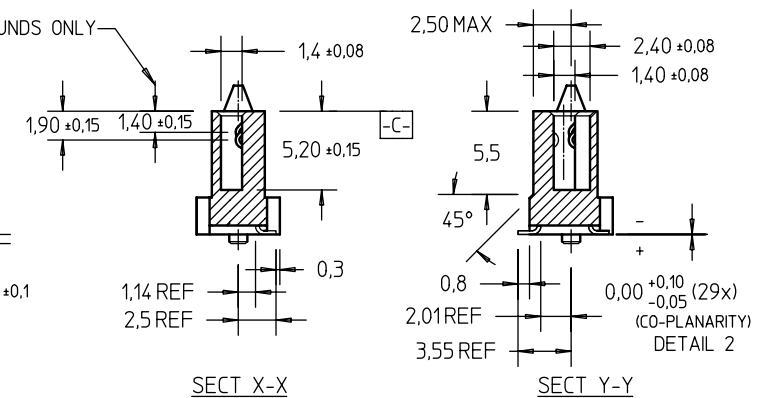
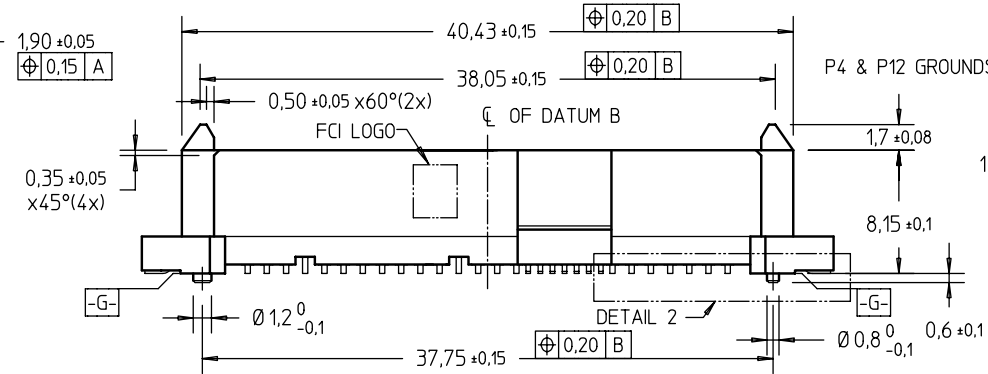
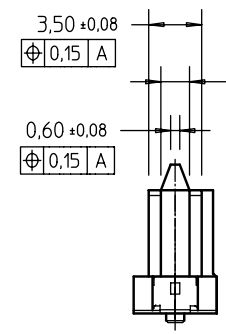
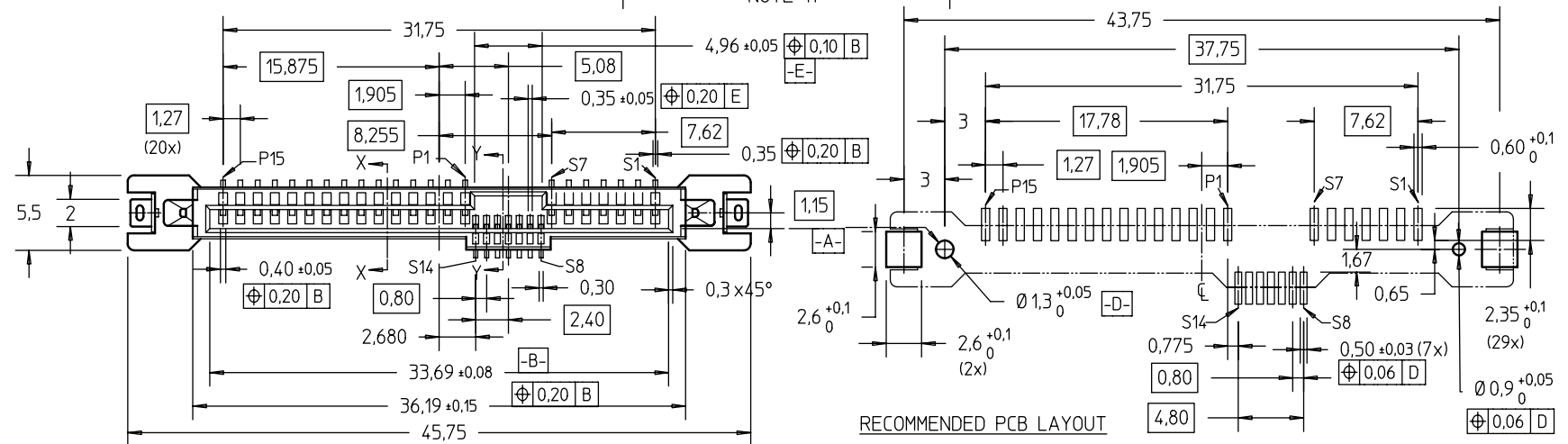


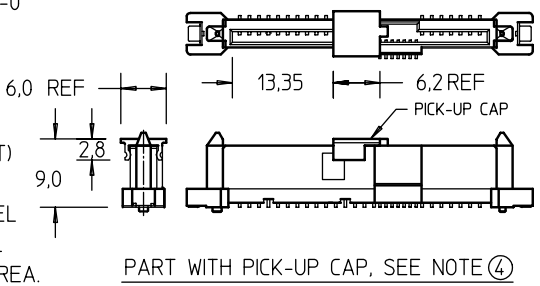
FCI CONFIDENTIAL  
 This document is the property of and embodies CONFIDENTIAL and PROPRIETARY information of FCI. No part of the information shown on this document may be used in any way or disclosed to others without the written consent of FCI.  
 Copyright FCI

PRODUCT NO	METAL CLIP	PLATING	PICK-UP CAP	PACKAGING	REMARKS	PRODUCT NO	PLATING
10031567-001LF	2 PCS	NOTE 2	NO	TRAY	⑧	10031567-401LF	NOTE 11
10031567-001CLF			YES		④.⑧	10031567-401CLF	
10031567-001C-TRLF			YES	TAPE & REEL	④.⑥.⑧	10031567-401C-TRLF	



**NOTES:**

- MATERIAL:
  - HOUSING : HIGH TEMP TERMOPLASTIC, UL 94V-0  
COLOR : BLACK
  - TERMINAL : COPPER ALLOY
  - HOLD DOWN : COPPER ALLOY
- FINISH :
  - TERMINAL : 30u" Au PLATING (CONTACT POINT) OVER 50u" NICKEL
  - SOLDER TAIL : 100u" min Sn OVER 50u" NICKEL
  - HOLD DOWN : 100u" min Sn OVER 50u" NICKEL
- PER SFF REV 1.1, EXCEPT 0.8mm PITCH BUMP AREA.
- PART WITH PICK-UP CAP, P/N XXXXXXXX-XXXC LF



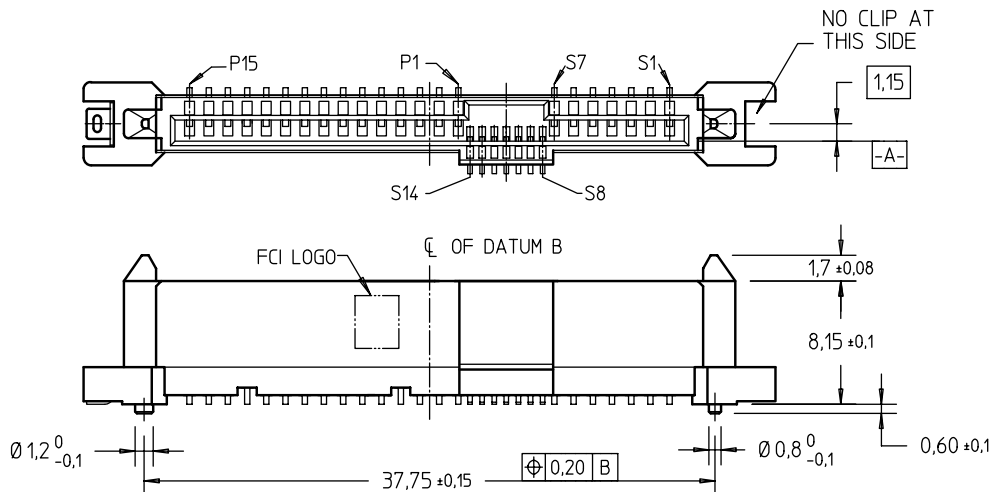
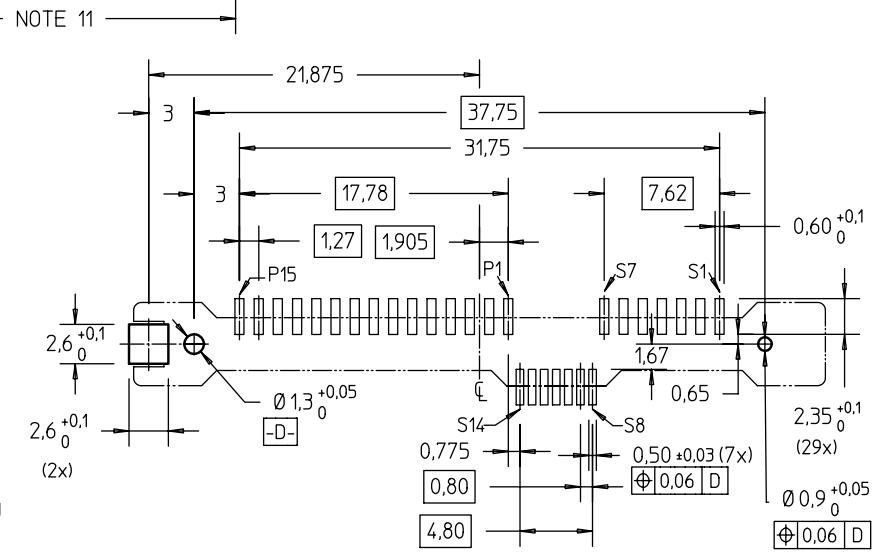
mat'l code		surface	tolerance	projection	product family
		ISO 1302	ISO 406 ISO 1101		SAS
ltr	ecn no	dr	date	title	
F	S05-0292	GLL	2005-10-12	SAS RECEPTACLE	
G	S06-0281	GLL	2006-08-28	VERTICAL SMT TYPE ASSY	
H	S07-0045	GLL	2007-02-09	angles	linear
J	S09-0052	GLL	2009-02-19	± 2°	= ± 0.20
K	S09-0283	GLL	2009-09-09	scale 2 : 1	
L	S09-0403	GLL	2009-12-10	dwg no	
appd				sheet 1 of 3	
sheet index				10031567	
revision sheet				type CUSTOMER Drawing	
L	L	L	L	A4	
1	2	3			

FCI CONFIDENTIAL



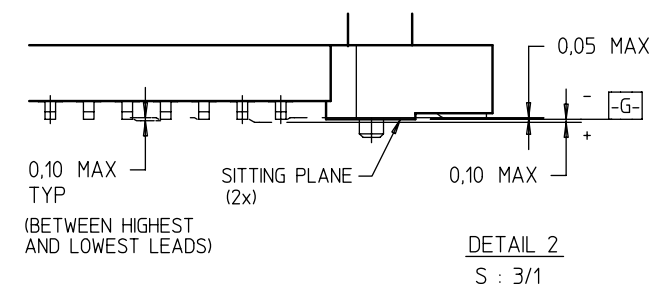
This document is the property of and embodies CONFIDENTIAL and PROPRIETARY information of FCI. No part of the information shown on this document may be used in any way or disclosed to others without the written consent of FCI. Copyright FCI.

PRODUCT NO	METAL CLIP	PLATING	PICK-UP CAP	PACKAGING	REMARKS	PRODUCT NO	PLATING
10031567-002LF	1 PC	NOTE 2	NO	TRAY	⑧	10031567-402LF	NOTE 11
10031567-002CLF			YES			④.⑧	
10031567-002C-TRLF			YES	TAPE & REEL	④.⑥.⑧	10031567-402C-TRLF	



NOTES:  
ALL OTHER DIMENSIONS, REFER TO SHEET 1.

- NOTES:
- ⑤ THE STD PACKAGING IS IN TRAY UNLESS OTHERWISE SPECIFIED.
  - ⑥ PART NUMBER WITH SUFFIX "-TR" MEANS FOR TAPE & REEL PACKAGING (E.G. P/N XXXXXXXX-XXXC-TRLF).
  - 7 THE HOUSING WILL WITHSTAND EXPOSURE TO 260°C PEAK TEMPERATURE FOR 10 SECONDS IN A CONVECTION, INFRA-RED OR VAPOR PHASE REFLOW OVEN.
  - ⑧ THIS PRODUCT MEETS EUROPEAN UNION DIRECTIVES AND OTHER COUNTRY REGULATIONS AS DESCRIBED IN GS-22-008.
  - ⑨ PART NUMBERS ENDING IN "LF" MEANS FOR NOTE 8 LEAD FREE IDENTIFICATION
    - (i) ~~XXXXXXXX-XXXLF IS EQUIVALENT TO PREVIOUS P/N XXXXXXXX-XXX~~
    - (ii) ~~XXXXXXXX-XXXCLF IS EQUIVALENT TO P/N XXXXXXXX-XXXC~~
    - (iii) ~~XXXXXXXX-XXXC-TRLF IS EQUIVALENT TO P/N XXXXXXXX-XXXC-TR~~
  - ⑩ A  $\Delta$  SYMBOL WILL BE NEXT TO ANY DIMENSION, VIEW, OR NOTE WHICH HAS BEEN MODIFIED WITH THE CURRENT DRAWING REVISION.
  - ⑪ FINISH :
    - 1) TERMINAL : 15u" GXT PLATING (CONTACT POINT) OVER 50u" NICKEL
    - 2) SOLDER TAIL : 100u" min Sn OVER 50u" NICKEL
    - 3) HOLD DOWN : 100u" min Sn OVER 50u" NICKEL



mat'l. code		surface	tolerance	projection	product family
		ISO 1302	ISO 406 ISO 1101	$\phi$ $\rightarrow$	SAS
ltr	ecn no	dr	date	title	
L				SAS RECEPTACLE VERTICAL SMT TYPE ASSY	
				mm	scale 2 : 1
				dwg no sheet 2 of 3 size	
				10031567 A4	
				type CUSTOMER Drawing	
sheet index	revision sheet				
1	1				

This document is the property of and embodies CONFIDENTIAL and PROPRIETARY information of FCI. No part of the information shown on this document may be used in any way or disclosed to others without the written consent of FCI. Copyright FCI.



FCIconnect.com

FCI CONFIDENTIAL

PRODUCT NO	METAL CLIP	PLATING	PICK-UP CAP	PACKAGING	REMARKS
10031567-404C-TRLF	1 PC	NOTE 11	YES	CUSTOM-MADE TAPE & REEL	④.⑥.⑧



mat'l. code		surface ISO 1302	tolerance ISO 406 ISO 1101	projection 	product family SAS
ltr	ecn no	dr	date	title SAS RECEPTACLE VERTICAL SMT TYPE ASSY	
L				mm ← →	scale 2 : 1
			angles linear ± 2°	= +0,20	
			dr	GL L00	2009-12-10
			enr	GL L00	2009-12-10
			chr	GL L00	2009-12-10
			appd	JOEY NG	2009-12-10
sheet index	revision sheet	1			
				dwg no 10031567 sheet 3 of 3 size A4 type CUSTOMER Drawing	