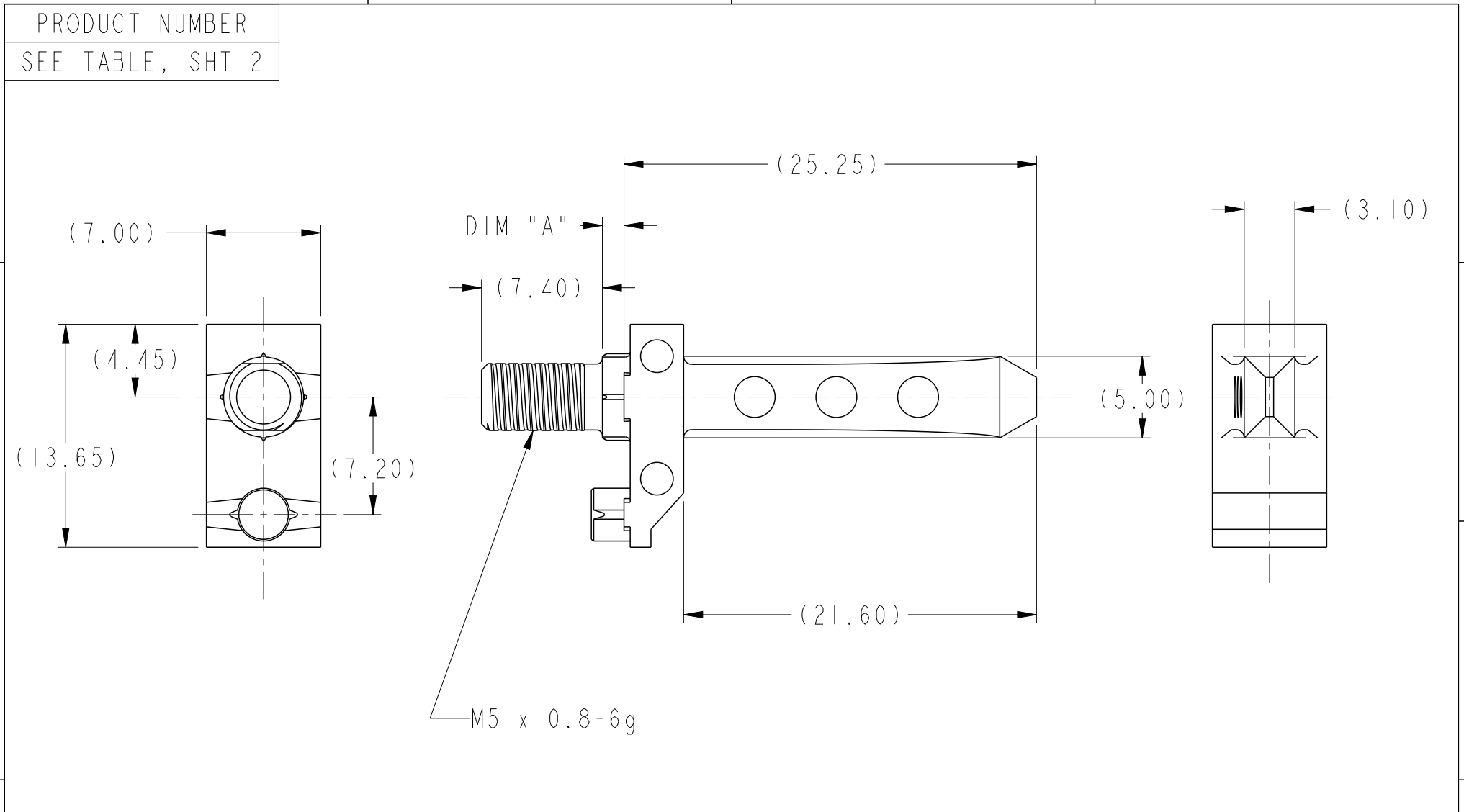


Amphenol  
FCi

© 2016 AFCI

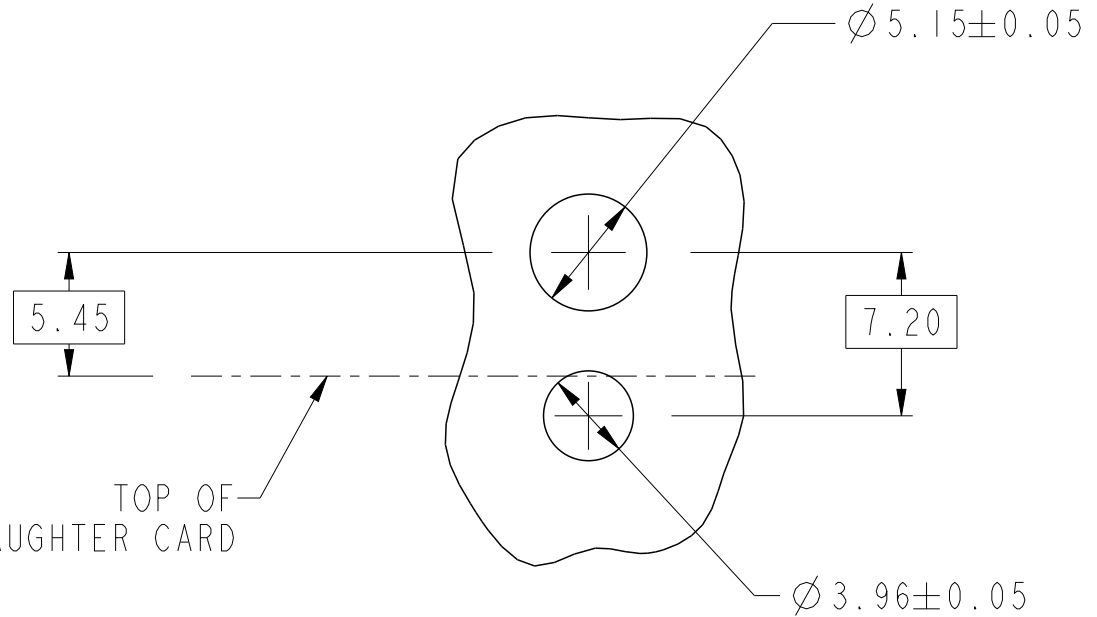


spec ref		-		dr	Chen-Hong Tan	2005/08/18	projection 	MM ←→	size	A4	scale	3:1	
tolerance std		TOLERANCES UNLESS OTHERWISE SPECIFIED		eng	Terry Luo	2019/04/24			ecn no	ELX-DG-33324-1			
ASME Y14.5				chr	-	-			rel level	Released			
surface		linear	0.X	±0.3	Amphenol FCi	title		7.2mm VERTICAL GUIDE PIN	dwg no	10045368		rev	B
ASME Y14.5			0.XX	±0.10		2/3 PR, 25.25mm Long							
		angular	0°	±2°	cat. no.	10045368-001	Product - Customer Drw			sheet 1 of 2			

Creo File - REV E - 2016-02-12

PART NUMBER	DIM "A"
10045368-101LF	1.32
10045368-102LF	2.60
10045368-103LF	4.20
10045368-104LF	5.70
10045368-105LF	7.30

TOP OF  
DAUGHTER CARD



NOTES:

- MATERIAL: ZINC ALLOY.
- FINISH: CHROMATE.
- REFER TO CUSTOMER DRAWING 10035911 FOR INFORMATION REGARDING PCB LAYOUT OF POWER AND GUIDE MODULES RELATIVE TO SIGNAL MODULES.
- THIS PRODUCT MEETS EUROPEAN UNION DIRECTIVES AND OTHER COUNTRY REGULATIONS AS DESCRIBED IN GS-22-008.
- PACKAGING MEETS GS-14-920 LEAD FREE LABELING SPECIFICATION.

SEE NOTE 3  
SCALE 3:1

spec ref -		dr <b>Chen-Hong Tan</b> 2005/08/18		projection 	MM ←→	size A4	scale 3:1
tolerance std -		eng <b>Terry Luo</b> 2019/04/24				ecn no ELX-DG-33324-1	
ASME Y14.5		chr -				rel level <b>Released</b>	
surface -		appr <b>Heaven Cen</b> 2019/04/25		product family -		rev	
ASME Y14.5	linear	0.X	±0.3	<b>Amphenol FCi</b>	7.2mm VERTICAL GUIDE PIN		10045368
		0.XX	±0.10		2/3 PR, 25.25mm Long		
		0.XXX	±0.05		cat. no. -		
	angular	0°	±2°	Product - Customer Drw		sheet 2 of 2	