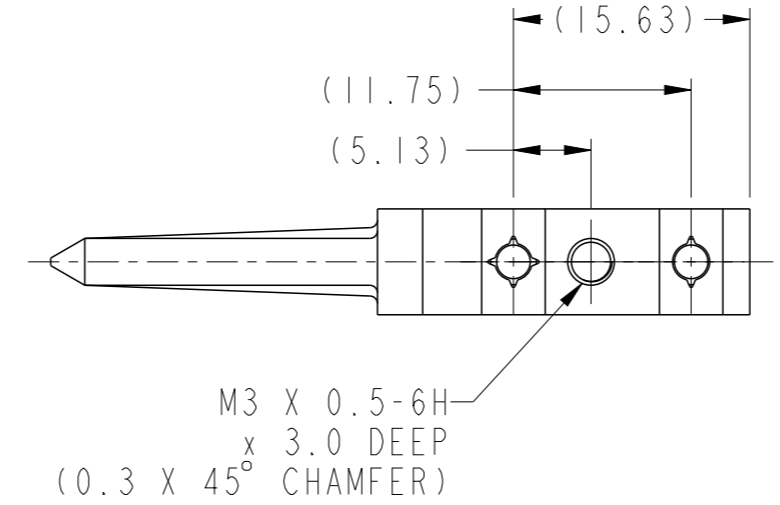
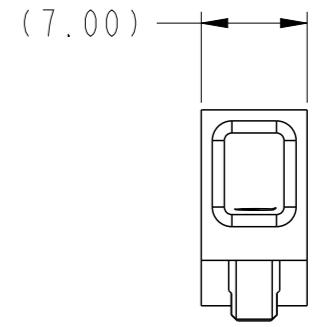
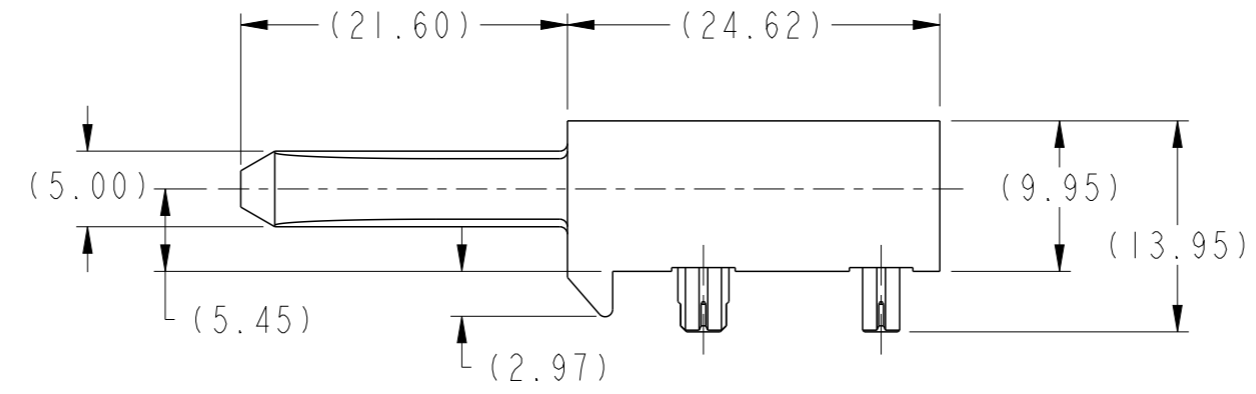
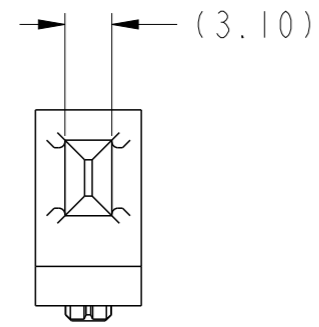


PRODUCT NUMBER
SEE TABLE, SHEET 2



Amphenol
FCi

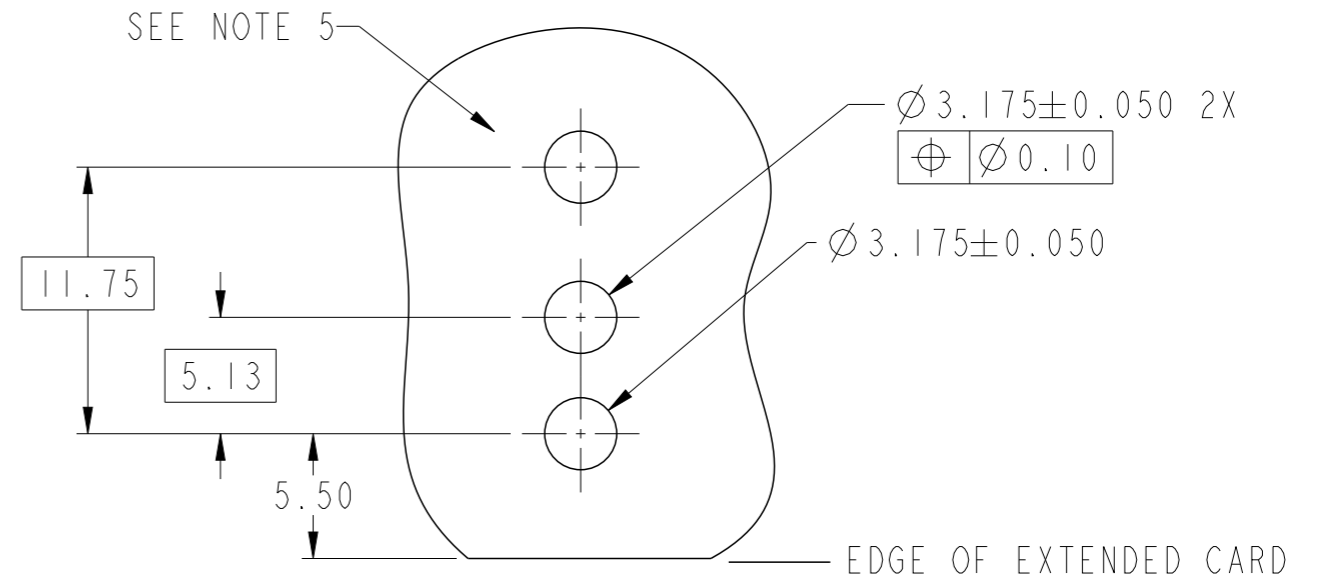
© 2016 AFCI

spec ref		dr	Chen-Hong Tan	2006/08/17	projection	MM	size	A3	scale	2:1
tolerance std		eng	Terry Luo	2019/04/24			ecn no		ELX-DG-33324-1	
ASME Y14.5		chr	-	-			rel level		Released	
TOLERANCES UNLESS OTHERWISE SPECIFIED		appr	Heaven Cen	2019/04/25	product family			AirMax Accessories		
surface	3.2	linear	0.X	±0.3	7.2mm R/A GUIDE BLADE			dwg no	10045588	
			0.XX	±0.10	2/3 PAIR			rev	C	
			0.XXX	±0.050	cat. no.			Product - Customer Drw		sheet 1 of 2
		angular	0°	±2°						

Product number
10045588-101LF

NOTES:

1. MATERIAL: ZINC ALLOY.
2. FINISH: ZINC YELLOW CHROMATE.
3. APPLICATION SPECIFICATION: GS-20-045.
4. REFER TO CUSTOMER DRAWING 10035911 FOR INFORMATION REGARDING PCB LAYOUT OF POWER AND GUIDE MODULES RELATIVE TO SIGNAL MODULES.
5. RIGHT ANGLE PIN MODULE HAS THE SAME PCB FOOTPRINT AS RIGHT ANGLE RECEPTACLE MODULE (REF P/N 10045367 SHEET 2).
6. THIS PRODUCT MEETS EUROPEAN DIRECTIVES AND OTHER COUNTRY REGULATIONS AS DESCRIBED IN GS-22-008
7. PACKAGING MEETS GS-14-920 LEAD FREE LABELING SPECIFICATION.



RECOMMENDED PCB LAYOUT
NOTE 4
SCALE 3:1

Amphenol
FCi

© 2016 AFCI

spec ref		dr	Chen-Hong Tan	2006/08/17	projection	MM	size	A3	scale	1:1				
tolerance std		eng	Terry Luo	2019/04/24			ecn no		ELX-DG-33324-1					
ASME Y14.5		chr	-	-			rel level		Released					
TOLERANCES UNLESS OTHERWISE SPECIFIED		appr	Heaven Cen	2019/04/25	product family			AirMax Accessories						
surface	3.2	linear	0.X	±0.3	Amphenol FCI 7.2mm R/A GUIDE BLADE 2/3 PAIR			dwg no		10045588	rev	C		
			0.XX	±0.10				cat. no.		-		Product - Customer Drw		sheet 2 of 2
		angular	0°	±2°				PDS: Rev :C		STATUS:Released		Printed: Apr 25, 2019		
ASME Y14.5														