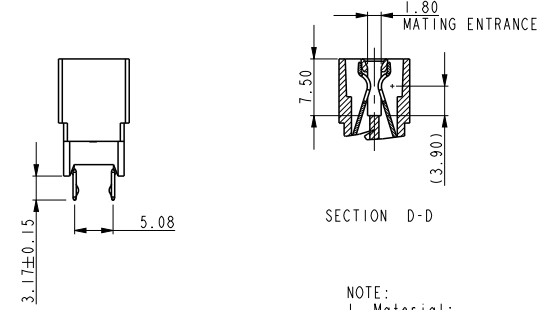
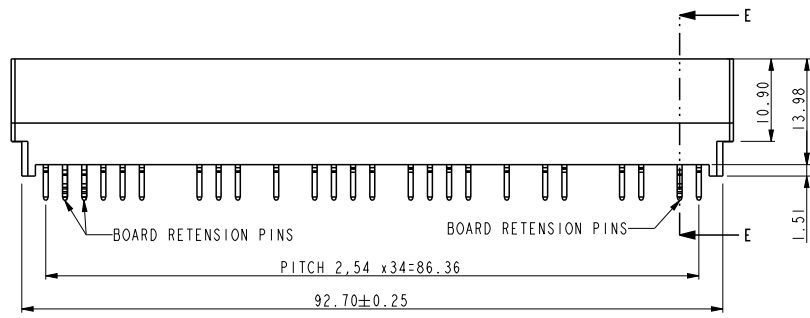
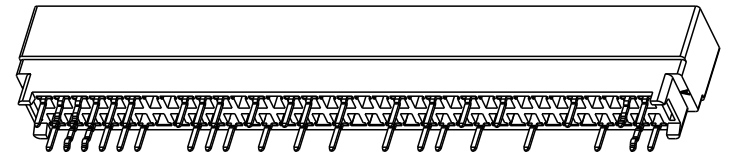
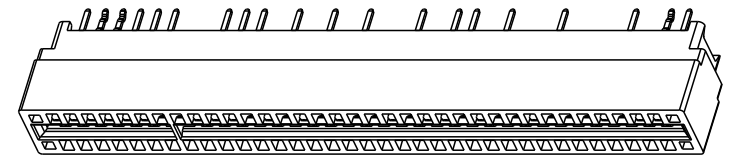
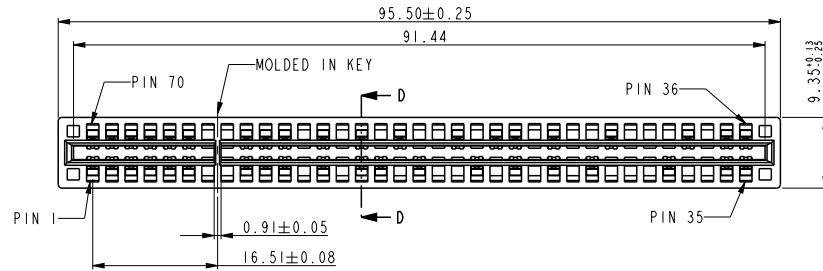


PRODUCT NO
10046971-042LF



NOTE:
1. Material:
HOUSING: HIGH TEMPERATURE THERMOPLASTIC,
UL 94 V-0 FLAME RETARDANT.
TERMINAL: HIGH CONDUCTIVITY COPPER ALLOY.
PLATING SPEC AS BELOW:
Ni 50u" UNDER PLATED.
Au 30u" OVER CONTACT AREA.(ONE SIDE)
Matte Tin 120u" OVER SOLDERING AREA.
2. PACKING SPEC. GS-14-937
3. PRODUCT SPEC. GS-12-338.
4. P7, 8, 12, 14, 17, 19, 20, 22, 24, 26, 28, 29, 30, 32, 33,
P38, 40, 41, 42, 44, 45, 47, 50, 52, 53, 55, 57, 59, 63, 64 OMITTED.



Copyright FCI.

spec ref	*	dr	Julia Wang	2013/02/26	projection	MM	size	A4	scale	1.000
tolerance std	TOLERANCES UNLESS OTHERWISE SPECIFIED	eng	Julia Wang	2013/10/21			ecn no	ELX-DG-16097-1		
ASME Y14.5		chr	-	-				rel level	Released	
surface	linear	appr	Pei-Ming Zheng	2013/10/24	product family		rel level	Released		
ASME Y14.5	0.X	±0.50		title VERTICAL TYPE 35PX2 POWER EDGE CARD CONNECTOR	dwg no 10046971-042	rev B	Product - Customer Drw		sheet 1 of 2	
	0.XX	±0.25					Product - Customer Drw		sheet 1 of 2	
	0.XXX	±0.13					www.fci.com			
	angular	0°	cat. no.		*		Product - Customer Drw		sheet 1 of 2	

ProdE File - REV C - 2009-06-09



Copyright FCI.

A

B

C

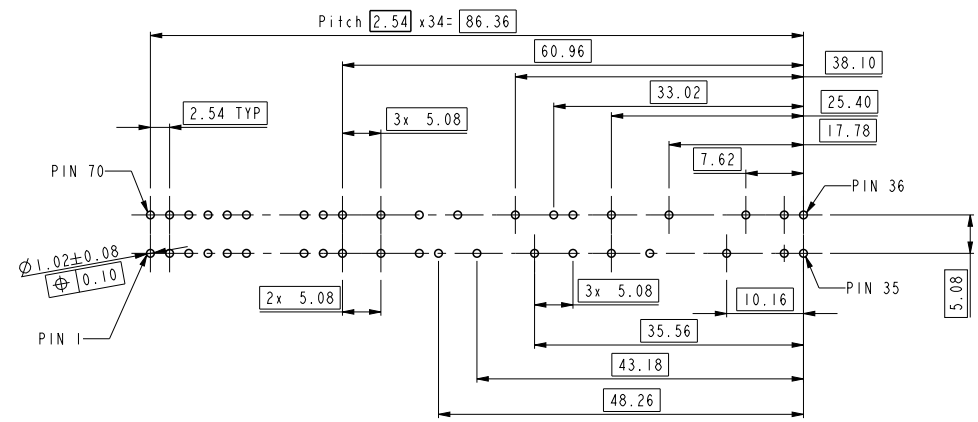
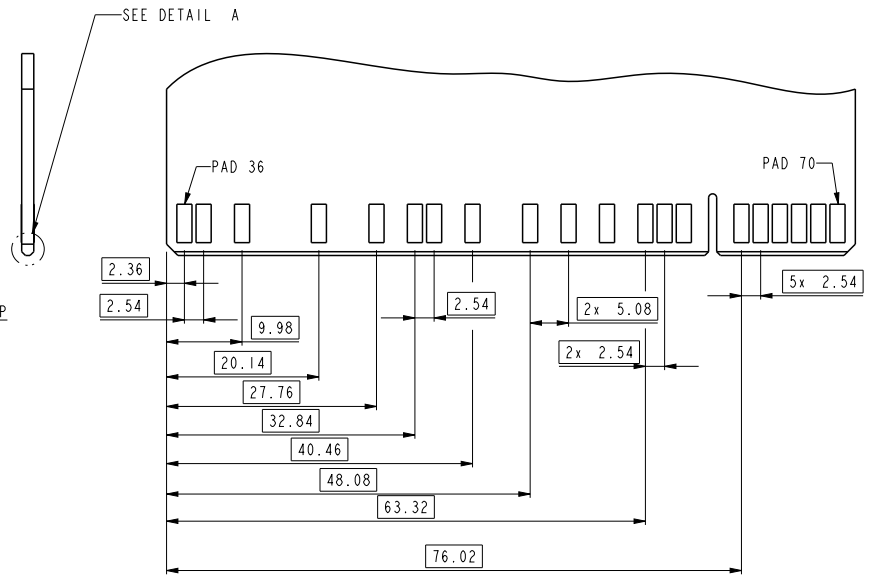
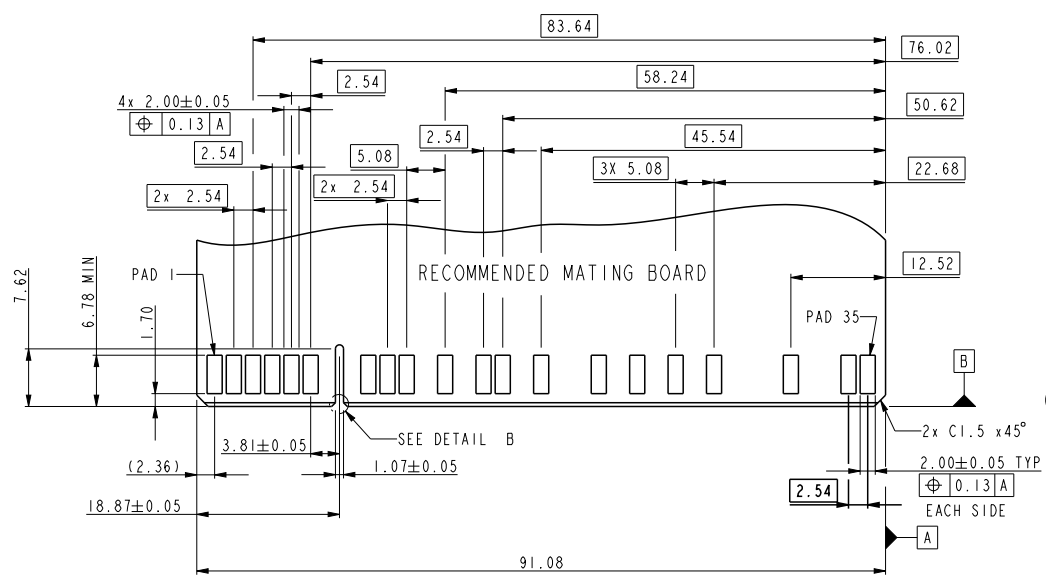
D

A

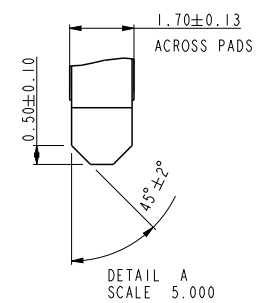
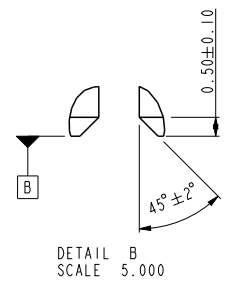
B

C

D



RECOMMENDED PC BOARD LAYOUT AND THE THICKNESS IS 2.36mm



dr	Julia Wang	2013/02/26	projection 	MM ←→	size	A4	scale	1.000
eng	Julia Wang	2013/10/21			ecn no	ELX-DG-16097-1		
chr	-	-			rel level	Released		
appr	Pei-Ming Zheng	2013/10/24	product family		rev			
		title			10046971-042		B	
www.fci.com		cat. no.		Product - Customer Drw		sheet 2 of 2		