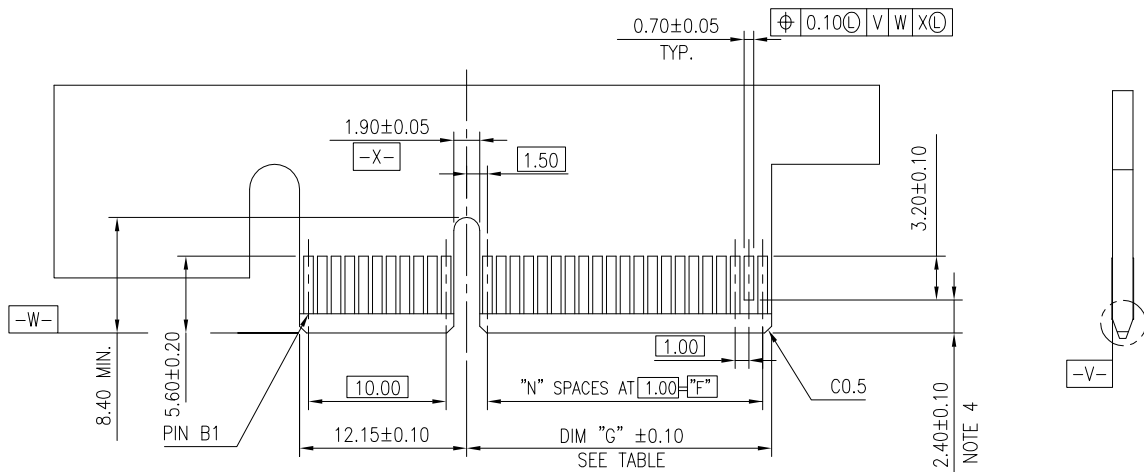


HOLD DOWN TYPE

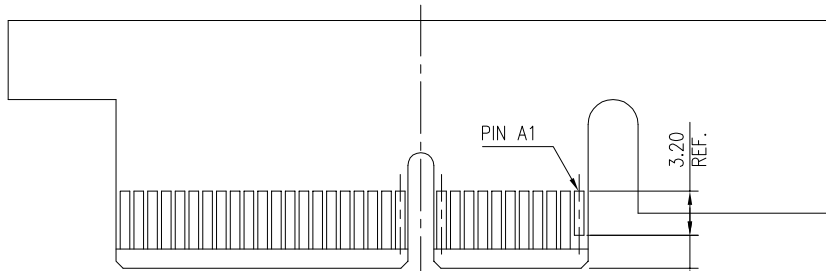
Amphenol FCI

© 2016 AFCI

| | | | | | | | | | | | | | | | |
|-------------|----------------|----|------------|---------------------------------------|----------|------------|----------|---------|----------|--------------|--|-------------|------------------|------|--|
| mat'l. code | | - | | surface | 58 | tolerance | ISO 1302 | ISO 406 | ISO 1101 | projection | product family | PCI_EXPRESS | | | |
| ltr | ecn no | dr | date | tolerances unless otherwise specified | | | | | | MM | title | | | | |
| G | T08-1XXX | RC | 9/9/08 | angles | | | | | | | PCI_EXPRESS_CARD_EDGE_GEN3 ASSEMBLY(SMT) | | | | |
| H | T10-0007 | JH | 1/30/10 | linear | | | | | | scale 1 | dwg no | | sheet 1 of 6 | size | |
| J | ELX-DG-14311 | WL | 2013/03/21 | 0°±2° | | | | | | | 10061913 | | A4 | | |
| K | ELX-DG-16269 | ST | 2013/11/13 | dr | STONE_LI | 2015/05/27 | | | | Amphenol FCI | type | | CUSTOMER Drawing | | |
| L | ELX-DG-21161-1 | ST | 2015/05/27 | engr | STONE_LI | 2015/05/27 | | | | | | | | | |
| M | ELX-DG-24164 | ZH | 2016/06/01 | chr | / | / | | | | | | | | | |
| | | | | appd | PM_ZHENG | 2015/05/27 | | | | | | | | | |
| sheet index | revision | M | | | | | | | | | | | | | |
| | sheet | 6 | | | | | | | | | | | | | |



I/O PANEL DIRECTION
PRIMARY (COMPONENT) SIDE



I/O PANEL DIRECTION
SECONDARY (SOLDER) SIDE

| # | POS | REF. | N | DIM "G" | DIM "F" | "F" |
|-----|-----|------|-------|---------|---------|-----|
| 36 | 6 | | 8.15 | 6.00 | B17 | |
| 64 | 20 | | 22.15 | 20.00 | B31 | |
| 98 | 37 | | 39.15 | 37.00 | B48 | |
| 164 | 70 | | 72.15 | 70.00 | B81 | |

ADD-IN CARD EDGE-FINGER DIMENSIONS

| | | | | | | | | | | | | | |
|-------------|--|----------------|--|---------------------|--|----------------------------|--|--------------|--|--|--|--|--|
| mat'l. code | | | | surface 58/ISO 1302 | | tolerance ISO 406 ISO 1101 | | projection | | product family PCI_EXPRESS | | | |
| ltr | | | | ecn no | | dr | | date | | title | | | |
| | | | | | | | | | | PCI_EXPRESS_CARD_EDGE_GEN3 ASSEMBLY(SMT) | | | |
| | | | | angles | | linear | | MM | | scale 2 | | | |
| | | | | 0°±2° | | .X±.2 | | | | dwg no sheet 2 of 6 size | | | |
| | | | | dr STONE_LI | | 2015/05/27 | | Amphenol FCI | | 10061913 A4 | | | |
| | | | | engr STONE_LI | | 2015/05/27 | | | | type CUSTOMER Drawing | | | |
| | | | | chr / | | / | | | | | | | |
| | | | | appd PM_ZHENG | | 2015/05/27 | | | | | | | |
| sheet index | | revision sheet | | M 6 | | | | | | | | | |

Amphenol FCI

© 2016 AFCI

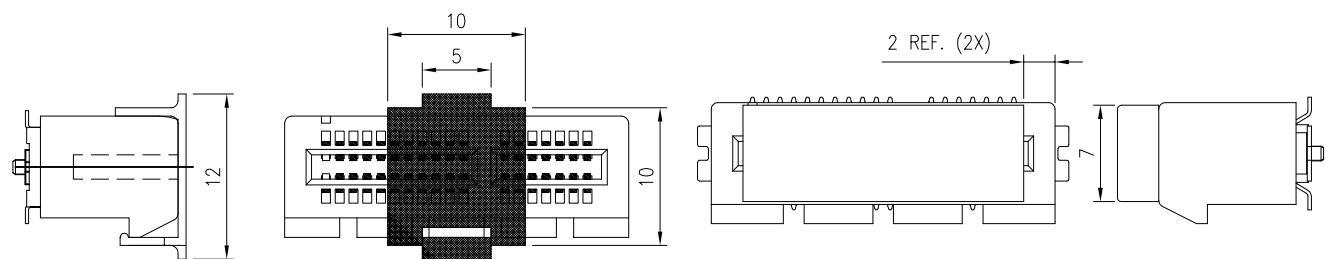


RECOMMENDED PCB LAYOUT, PAD TYPE

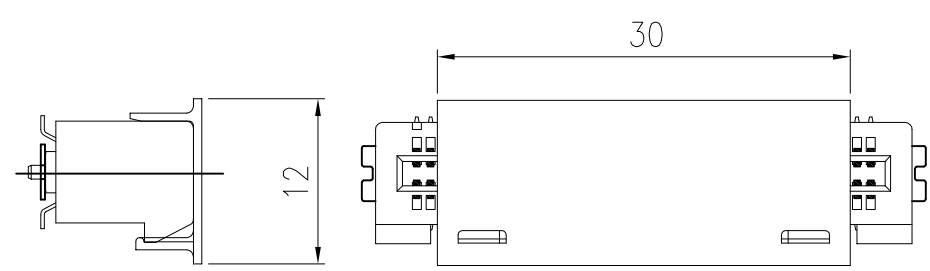
| DIMENSIONS | | | | | | | | |
|------------|-------|--|--------------|--------------|--------------|--------------|-------|--------------|
| POSITION | A | B $\begin{smallmatrix} +0.15 \\ -0.05 \end{smallmatrix}$ | C ± 0.20 | D ± 0.23 | E ± 0.20 | H ± 0.10 | J | K ± 0.10 |
| 36 | 6.00 | 7.65 | 9.15 | 25.00 | 27.00 | 28.00 | 6.00 | 9.15 |
| 64 | 20.00 | 21.65 | 23.15 | 39.00 | 41.00 | 42.00 | 20.00 | 23.15 |
| 98 | 37.00 | 38.65 | 40.15 | 56.00 | 58.00 | 59.00 | 37.00 | 40.15 |
| 164 | 70.00 | 71.65 | 73.15 | 89.00 | 91.00 | 92.00 | 70.00 | 73.15 |

POSTION OF CAP

POSTION OF DUMMY CARD



POSTION OF CUSTOMIZED CAP(30X12)



Amphenol FCI

© 2016 AFCI

| | | | | | | | | | | |
|-------------|----------|---------------------|------|---------------------------------------|----------|------------|--|--|-----------------------|--|
| mat'l. code | | surface 58/ISO 1302 | | tolerance ISO 406 ISO 1101 | | projection | | product family | | |
| - | | ✓ | | | | | | PCI_EXPRESS | | |
| ltr | ecn no | dr | date | tolerances unless otherwise specified | | | | title | | |
| | | | | angles | | MM | | PCI_EXPRESS_CARD_EDGE_GEN3 ASSEMBLY(SMT) | | |
| | | | | linear | | scale 2 | | dwg no sheet 3 of 6 size | | |
| | | | | 0'±2' | | | | 10061913 A4 | | |
| | | | | dr | STONE_LI | 2015/05/27 | | | type CUSTOMER Drawing | |
| | | | | engr | STONE_LI | 2015/05/27 | | | | |
| | | | | chr | / | / | | | | |
| | | | | appd | PM_ZHENG | 2015/05/27 | | | | |
| sheet index | revision | M | | | | | | | | |
| | sheet | 6 | | | | | | | | |

NOTES:

1.MATERIAL:

HOUSING: NYLON, GLASS FILLED UL94V-0 RATE, SUITABLE FOR I.R SOLDERING.

TERMINAL: COPPER ALLOY

PLATING: 50u" NICKEL UNDERPLATE ALL OVER
CONTACT AREA PLATING - SEE PRODUCT NUMBER CODE
SOLDER TAIL: TIN 100u" OVER 50u" NICKEL

METAL PADS: COPPER ALLOY
FINISH: 100u" TIN OVER 50u" NICKEL

2.PRODUCT SPECIFICATION: GS-12-390

③THE HORIZONTAL AXIS FOR THE PAD PATTERN IS ESTABLISHED BY
A LINE THROUGH THE CENTER OF THE TWO Ø1.0 HOLES.
THE VERTICAL AXIS IS 90° TO THE HORIZONTAL AXIS, THROUGH THE CENTER
OF DATUM [Z-]

④NO TIE BAR PERMITTED FROM CARD EDGE TO LEADING EDGE OF PAD FOR
PINS A1.

⑤CHAMFER EDGES MUST BE FREE OF CUTTING BURRS.

6.RoHS COMPATIBLE PRODUCT SPECIFICATIONS

a - PLATING:

- "LF" MEANS THE PRODUCT IS LEAD-FREE

b - MANUFACTURING PROCESS COMPATIBILITY

- THE HOUSING WILL WITHSTAND EXPOSURE TO 260°C±5°C PEAK TEMPERATURE FOR
5 SECONDS IN A CONVECTION, INFRA-RED OR VAPOR PHASE REFLOW OVEN.

7.A Δ SYMBOL WILL BE NEXT TO ANY DIMENSION, VIEW, OR NOTE WHICH HAS BEEN MODIFIED
WITH CURRENT DRAWING REVISION.

PRODUCT NUMBER CODE

10061913-X X X X L F

HOUSING COLOR OPTIONS

- 0-WHITE
- 1-BLACK

LEAD FREE

PACKAGING OPTIONS

- T-TRAY PACKAGING WITHOUT CAP
- C-TRAY PACKAGING WITH CAP
- N-TRAY PACKAGING WITH MYLAR
- G-TRAY PACKAGING WITH DUMMY CARD Δ
- V-TRAY FOR VACUUM PACKAGING Δ
- R-TAPE & REEL PACKAGING WITHOUT CAP OR MYLAR (FOR 36P & 64P ONLY)
- P-TAPE & REEL PACKAGING WITH CAP (FOR 36P & 64P & 98P OPTIONS ONLY)
- M-TAPE & REEL PACKAGING WITH MYLAR (FOR 36P & 64P OPTIONS ONLY)
- U-REEL FOR VACUUM PACKAGING Δ
- A-44MM WIDTH TAPE&REEL PACKING WITH MYLAR(FOR 36P ONLY)
- Y-HARD TRAY (FOR 164P OPTION ONLY)
- Z-HARD TRAY WITH MYLAR (FOR 164P OPTION ONLY)
- B-HARD TRAY WITH CAP (FOR 164P OPTION ONLY)
- H-CUSTOMIZED HARD TRAY WITH 30mm CUSTOMIZED CAP (FOR 98 & 164P ONLY) Δ

TERMINAL PLATING OPTIONS

- 0-50u" Ni UNDERPLATE
30u" Au CONTACT AREA
100u" TIN TAIL AREA ----- COMPATIBLE RoHS
- 1-50u" Ni UNDERPLATE
15u" Au CONTACT AREA
100u" TIN TAIL AREA ----- COMPATIBLE RoHS
- 2-50u" Ni UNDERPLATE
GOLD FLASH CONTACT AREA
100u" TIN TAIL AREA ----- COMPATIBLE RoHS
- 3-50u" Ni UNDERPLATE
30u" Au CONTACT AREA
GOLD FLASH TAIL AREA ----- COMPATIBLE RoHS

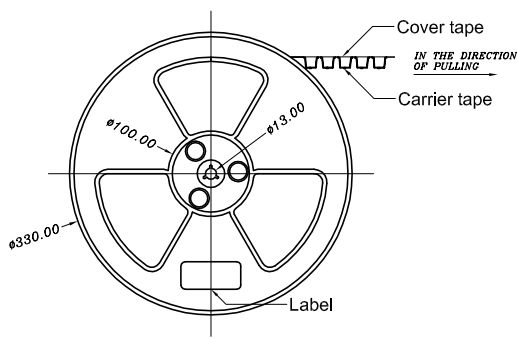
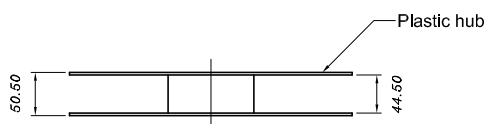
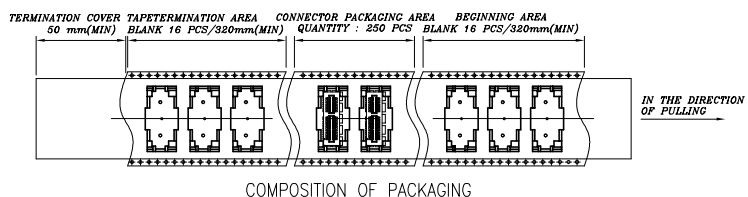
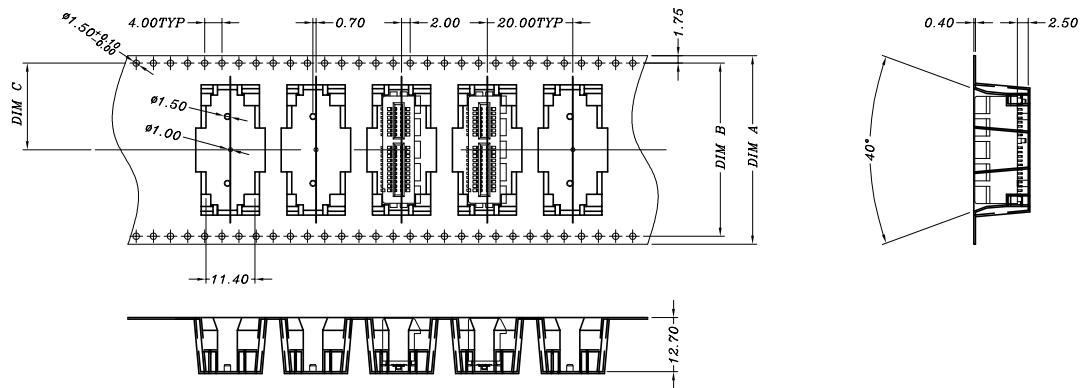
POS OPTIONS

- 0-36
- 1-64
- 2-98
- 3-164

Amphenol FCI

© 2016 AFCI

| | | | | | | | | | | | |
|-------------|----------|---------------------|------|---------------------------------------|----------|------------|--|--|--|--------------|------|
| mat'l. code | | surface 58/ISO 1302 | | tolerance ISO 406 ISO 1101 | | projection | | product family | | | |
| - | | ✓ | | | | | | PCI_EXPRESS | | | |
| ltr | ecn no | dr | date | tolerances unless otherwise specified | | MM | | title | | | |
| | | | | angles | linear | | | PCI_EXPRESS_CARD_EDGE_GEN3 ASSEMBLY(SMT) | | | |
| | | | | 0°±2' | | scale 2 | | dwg no | | sheet 4 of 6 | size |
| | | | | engr | STONE_LI | 2015/05/27 | | 10061913 | | A4 | |
| | | | | chr | / | / | | type | | | |
| | | | | appd | PM_ZHENG | 2015/05/27 | | CUSTOMER Drawing | | | |
| sheet index | revision | M | 6 | | | | | | | | |



TAPE AND REEL PACKING
RECOMMENDED FOR
36PINS ONLY

| DIMENSIONS | | | | | |
|-------------------------|-------|-------|-------|--------|--------|
| POSITIONS | A | B | C | D REF. | E REF. |
| 36 (10061913-xxxALF) | 44.00 | 40.40 | 20.20 | 44.5 | 50.5 |
| 64 | 56.00 | 52.60 | 26.30 | 56.4 | 60.4 |

| | | | | | | | | | | | |
|-------------|--|---------------------|--|---------------------------------------|--|------------|--|--|--|--------------|--|
| mat'l. code | | surface 58/ISO 1302 | | tolerance ISO 406 ISO 1101 | | projection | | product family | | | |
| ltr | | ecn no | | dr | | date | | PCI_EXPRESS | | | |
| | | | | tolerances unless otherwise specified | | MM | | title | | | |
| | | | | angles linear | | scale 1 | | PCI_EXPRESS_CARD_EDGE_GEN3 ASSEMBLY(SMT) | | | |
| | | | | dr | | 2015/05/27 | | dwg no | | sheet 5 of 6 | |
| | | | | engr | | 2015/05/27 | | 10061913 | | size A4 | |
| | | | | chr | | / | | type CUSTOMER Drawing | | | |
| | | | | appd | | 2015/05/27 | | | | | |
| sheet index | | revision sheet | | M | | 6 | | | | | |

Amphenol FCI

© 2016 AFCI

1 For PCI EXPRESS SMT TYPE 36P ONLY.

2. Material :

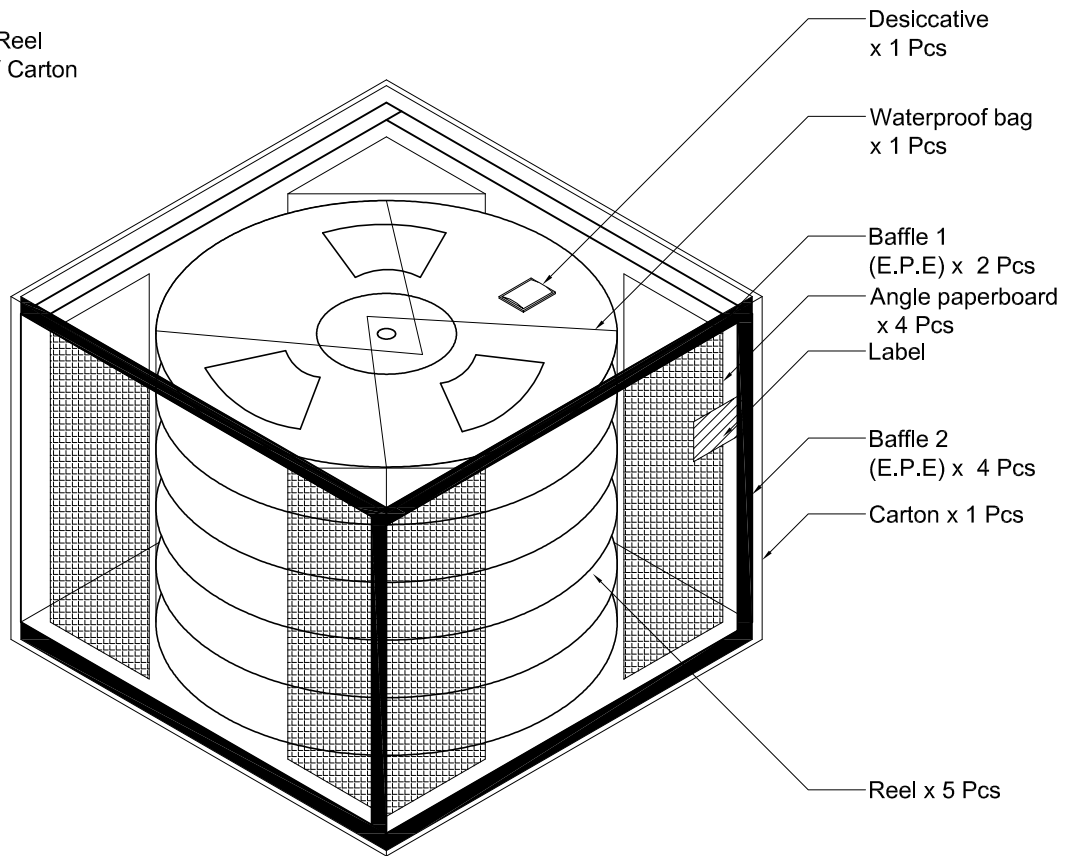
- 2.1 Reel :
 - 2.1.1 Plastic hub : High Impact Polystyrene
 - 2.1.2 Cover tape : PE
 - 2.1.3 Carrier tape : ABS
- 2.2 Waterproof bag : PE
- 2.3 Desiccative : Silica Gel
- 2.4 Carton : Corrugated paper
- 2.5 Baffle : E.P.E
- 2.6 Angle paperboard : Corrugated paper

3. Dimension :

- 3.1 Reel :
 - 3.1.1 Plastic hub : $\phi 330 \times T50.5$ mm
 - 3.1.2 Cover tape : $5690(L) \times 37.4(W)$ mm
 - 3.1.3 Carrier tape : $5640(L) \times 44(W)$ mm
- 3.2 Waterproof bag : $600(H) \times 465(W) \times 0.06(T)$ mm
- 3.3 Desiccative : 25 gram / Package
- 3.4 Carton : $380(L) \times 380(W) \times 300(H)$ mm
- 3.5 Baffle (1): $370(L) \times 370(W) \times 15(H)$ mm
- 3.6 Baffle (2): $355(L) \times 252(W) \times 15(H)$ mm
- 3.7 Angle paperboard : $252(H)$

4. Quantity :

- 4.1 250 Pcs / Reel
- 4.2 1250 Pcs / Carton



Amphenol FCI

© 2016 AFCI

| | | | | | | | | | | | |
|-------------|----------------|-----------------------|------|---------------------------------------|---|--------------|--|---|--|------------------|------|
| mat'l. code | | surface 58/ISO 1302 ✓ | | tolerance ISO 406 ISO 1101 | | projection | | product family PCI_EXPRESS | | | |
| ltr | ecn no | dr | date | tolerances unless otherwise specified | | MM | | title PCI_EXPRESS_CARD_EDGE_GEN3 ASSEMBLY(SMT) | | | |
| | | | | angles | linear | scale 1 | | dwg no | | sheet 6 of 6 | size |
| | | | | $0^{\circ} \pm 2^{\circ}$ | $.X \pm .3$ $.XX \pm .20$ $XXX \pm .10$ | Amphenol FCI | | 10061913 | | | A4 |
| | | | | dr | STONE_LI | 2015/05/27 | | type | | CUSTOMER Drawing | |
| | | | | engr | STONE_LI | 2015/05/27 | | | | | |
| | | | | chr | / | / | | | | | |
| | | | | appd | PM_ZHENG | 2015/05/27 | | | | | |
| sheet index | revision sheet | M | 6 | | | | | | | | |