

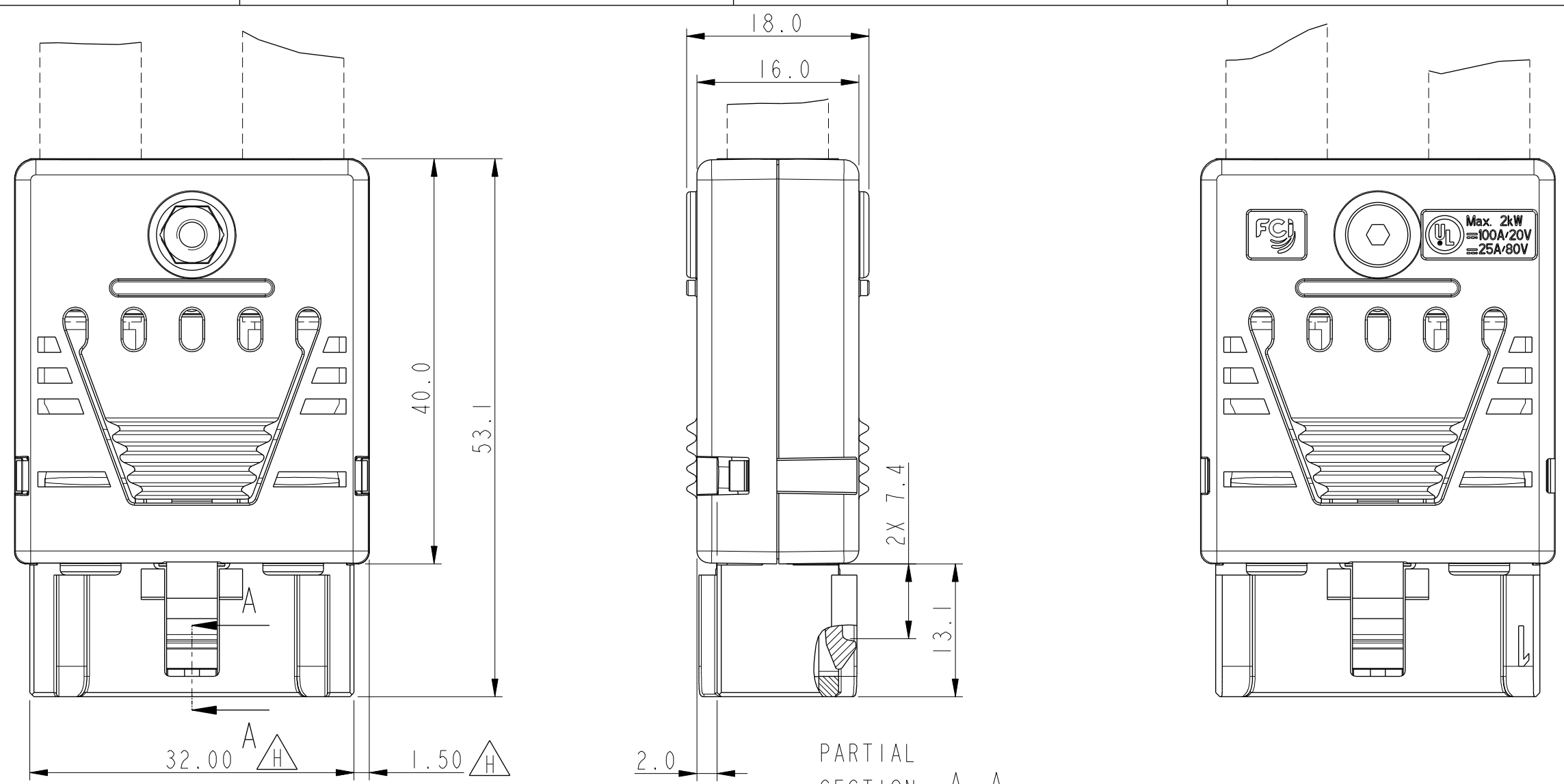
1 2 3 4

A

B

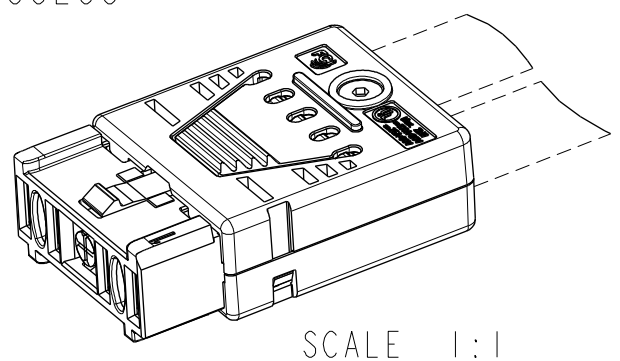
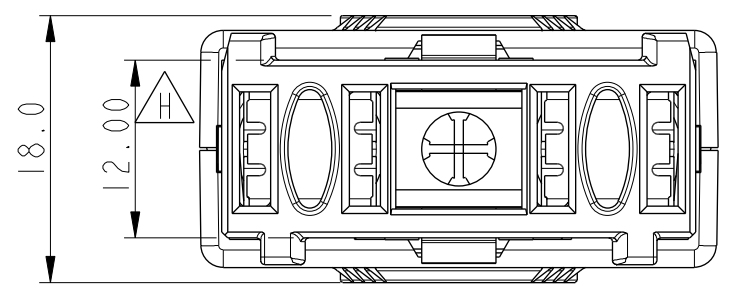
A

B



NOTES:

- MATERIALS:
 - UPPER / LOWER COVER - HIGH TEMPERATURE NYLON;
 - TERMINAL HOUSING - HIGH TEMPERATURE NYLON;
 - STRAIN RELIEF - NYLON;
 - LOCKING SPRING - HIGH TEMPERATURE NYLON;
 - CODING KEY - HIGH TEMPERATURE NYLON - COLOR: RED
 - TERMINAL BARREL - HIGH CONDUCTIVE Cu Alloy;
 - TERMINAL BLADES - HIGH CONDUCTIVE Cu Alloy.
- ALL PLASTICS UL94-V0 RATED.
- THIS PRODUCT MEETS EUROPEAN UNION DIRECTIVES AND OTHER COUNTRY REGULATIONS AS DESCRIBED IN GS-22-008.
- THIS PRODUCT IS NOT INTENDED TO BE EXPOSED TO A MANUFACTURING SOLDER PROCESS



SCALE 1:1

spec ref	*	dr	Sky Chen	2013-03-08	projection	MM	size	A3	scale	2:1							
tolerance std	TOLERANCES UNLESS OTHERWISE SPECIFIED	eng	WL Zhang	2013-03-08			ecn no		rel level								
		chr	PM Zheng	2013-03-08			-		Released								
		appr	PM Zheng	2013-03-08	product family		-										
surface	<table border="1"> <tr> <td rowspan="3">linear</td> <td>0.X</td> <td>±0.5</td> </tr> <tr> <td>0.XX</td> <td>±0.25</td> </tr> <tr> <td>0.XXX</td> <td>±0.10</td> </tr> <tr> <td>angular</td> <td>0°</td> <td>±2°</td> </tr> </table>	linear	0.X	±0.5	0.XX	±0.25	0.XXX	±0.10	angular	0°	±2°		title PWR TWINBLADE I/O straight version			dwg no 10066104	rev H
linear	0.X		±0.5														
	0.XX		±0.25														
	0.XXX	±0.10															
angular	0°	±2°															
		www.fci.com	cat. no.		Product - Customer Drw		sheet 1 of 4										

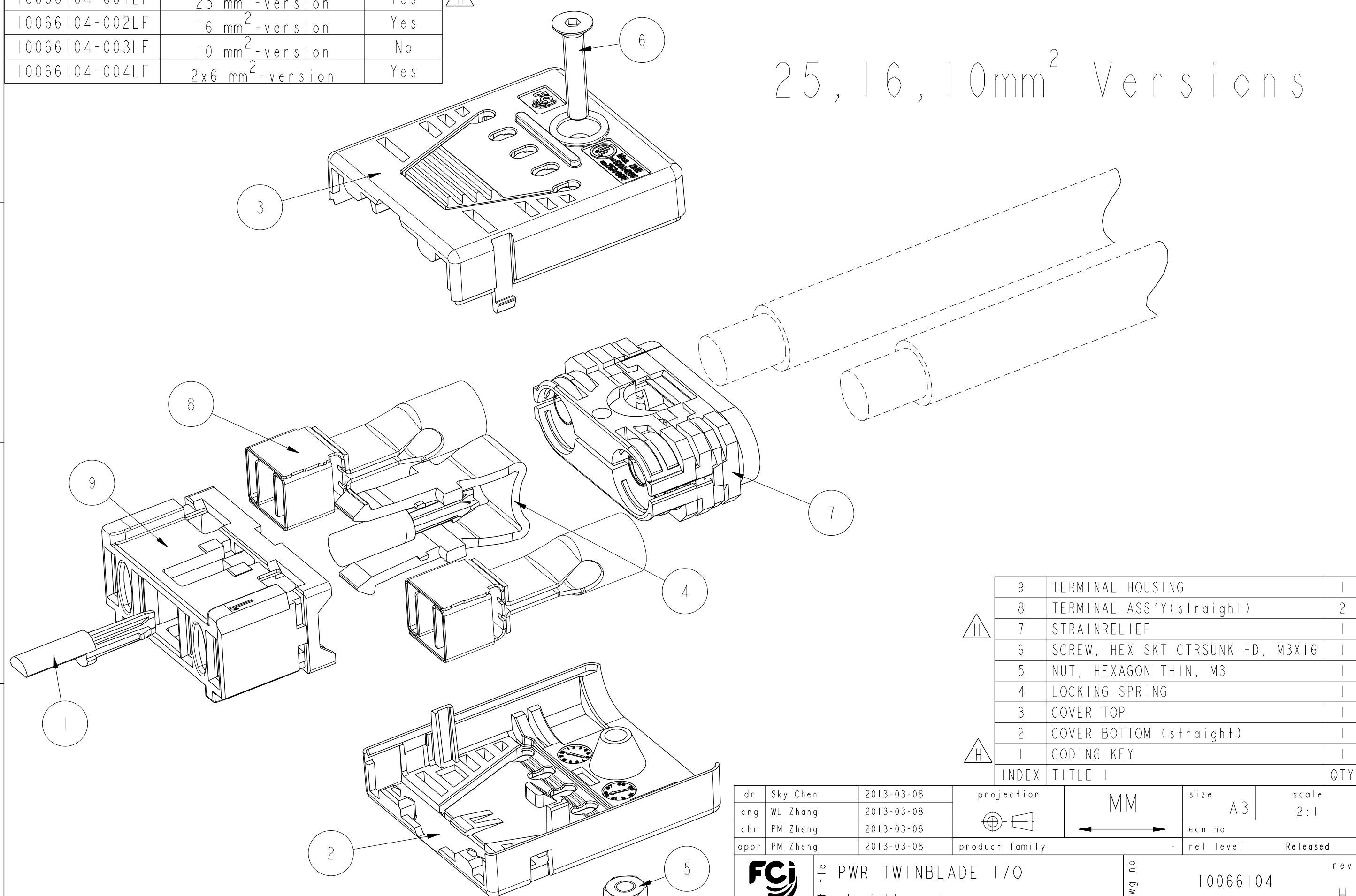


Copyright FCI.

PRODUCT NUMBER	INSTANCE DESCRIPTION	Tooled
10066104-001LF	25 mm ² -version	Yes
10066104-002LF	16 mm ² -version	Yes
10066104-003LF	10 mm ² -version	No
10066104-004LF	2x6 mm ² -version	Yes



25, 16, 10mm² Versions



9	TERMINAL HOUSING	1
8	TERMINAL ASS'Y(straight)	2
7	STRAINRELIEF	1
6	SCREW, HEX SKT CTRSUNK HD, M3X16	1
5	NUT, HEXAGON THIN, M3	1
4	LOCKING SPRING	1
3	COVER TOP	1
2	COVER BOTTOM (straight)	1
1	CODING KEY	1
INDEX	TITLE 1	QTY

dr	Sky Chen	2013-03-08	projection	MM	size	A3	scale	2:1
eng	WL Zhang	2013-03-08			ecn no		rel level	
chr	PM Zheng	2013-03-08			-		Released	
appr	PM Zheng	2013-03-08	product family		-			

	PWR TWINBLADE I/O		dwg no 10066104	rev H
	straight version			
www.fci.com	cat. no.	-	Product - Customer Drw	sheet 2 of 4

Copyright FCI.

A

B

C

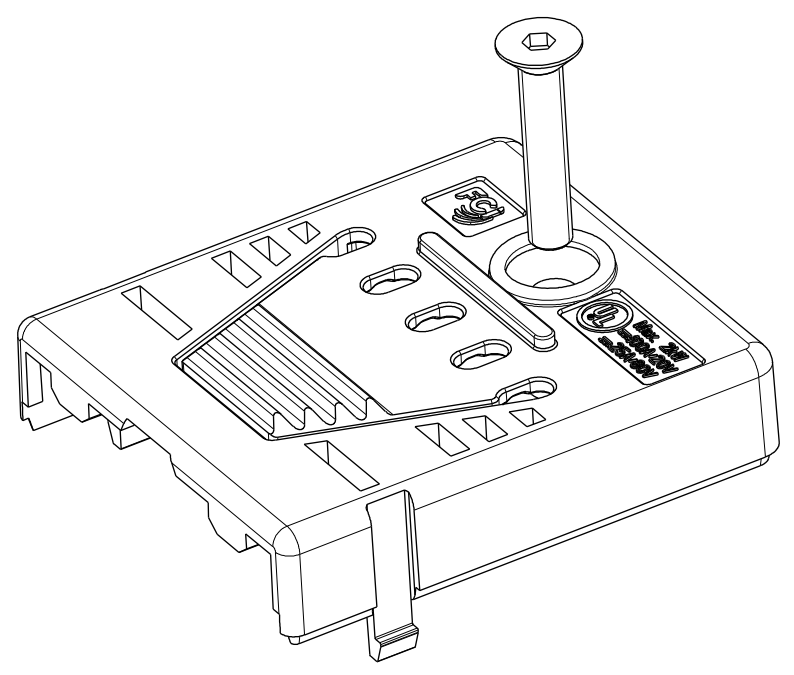
D

A

B

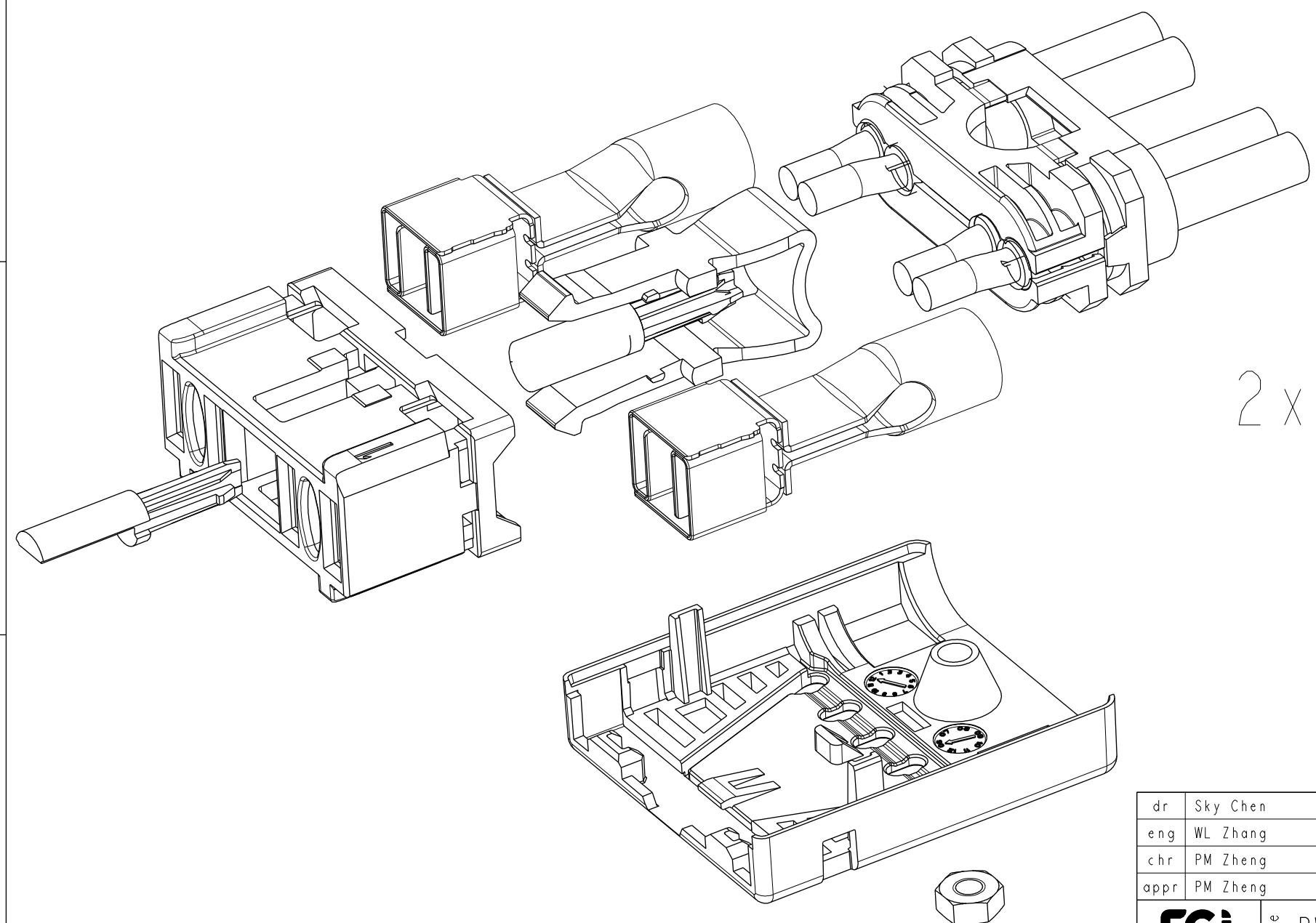
C

D



NOTES:

5. A \triangle SYMBOL WILL BE NEXT TO ANY DIMENSION, VIEW, OR NOTE WHICH HAS BEEN MODIFIED WITH THE CURRENT DRAWING REVISION.



2x6mm² Versions



Copyright FCI.

dr	Sky Chen	2013-03-08	projection	MM	size	scale
eng	WL Zhang	2013-03-08			A3	2:1
chr	PM Zheng	2013-03-08			ecn no	
appr	PM Zheng	2013-03-08	product family		-	rel level Released

	PWR TWINBLADE I/O		dwg no	10066104	rev	H
	straight version					
www.fci.com	cat. no.	-	Product - Customer Drw		sheet 3 of 4	

1 2 3 4

4 POSITION FOR CODING

A

B

C

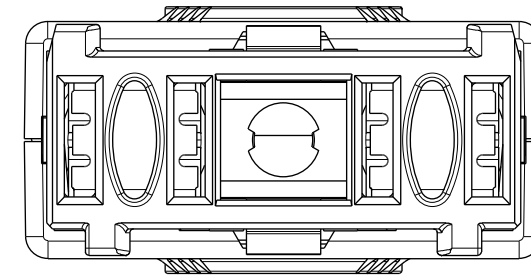
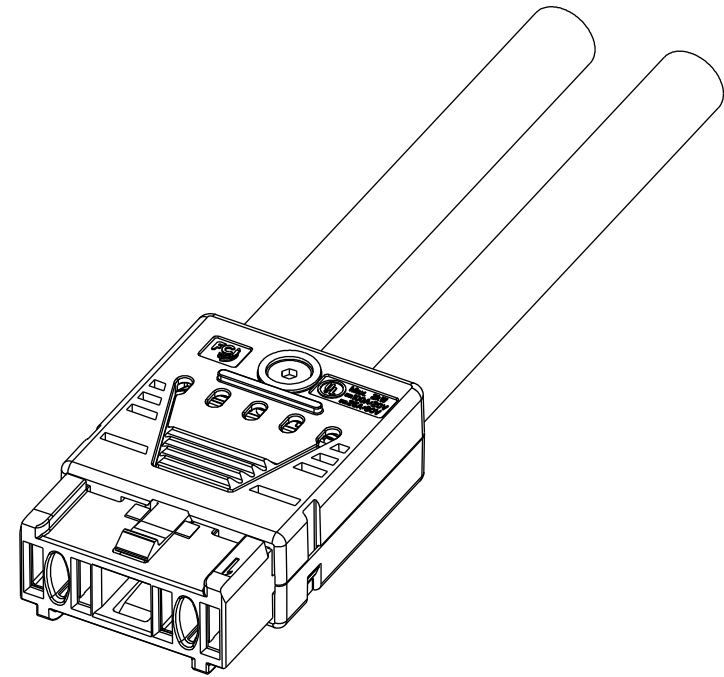
D

A

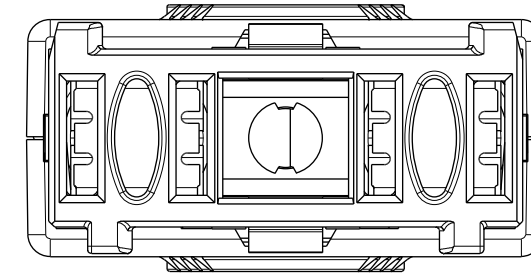
B

C

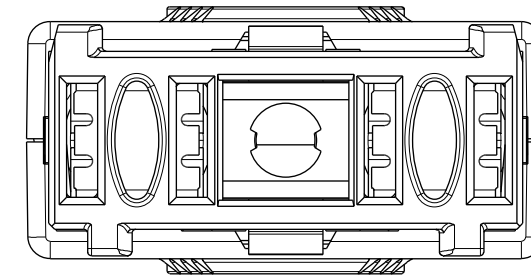
D



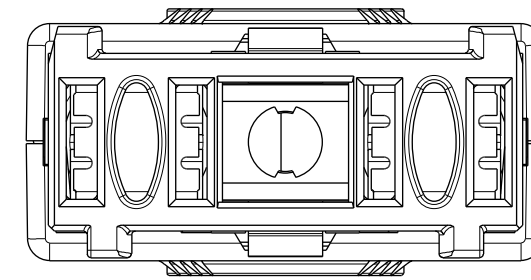
0 DEG



90 DEG



180 DEG



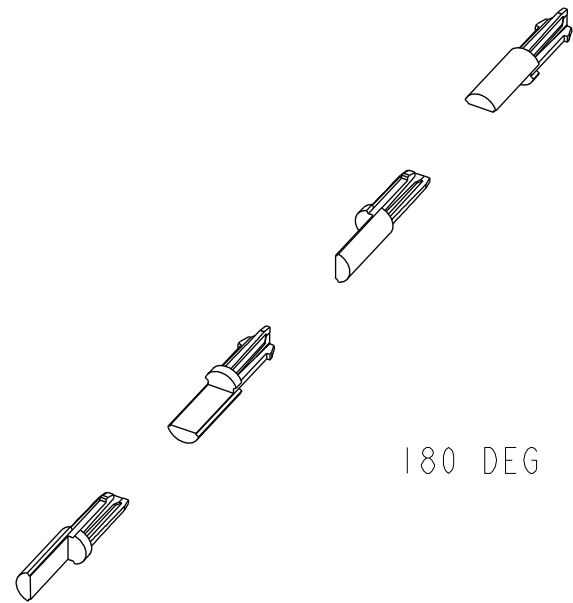
270 DEG

0 DEG

90 DEG

180 DEG

270 DEG



dr	Sky Chen	2013-03-08	projection	MM	size	scale
eng	WL Zhang	2013-03-08			A3	1:1
chr	PM Zheng	2013-03-08	product family	←→	ecn no	
appr	PM Zheng	2013-03-08			-	rel level Released
			PWR TWINBLADE I/O		dwg no	rev
www.fci.com			straight version		10066104	H
cat. no.			-		Product - Customer Drw	sheet 4 of 4

PDS: Rev :H

STATUS:Released

Printed: Jun 21, 2013

2

3

4