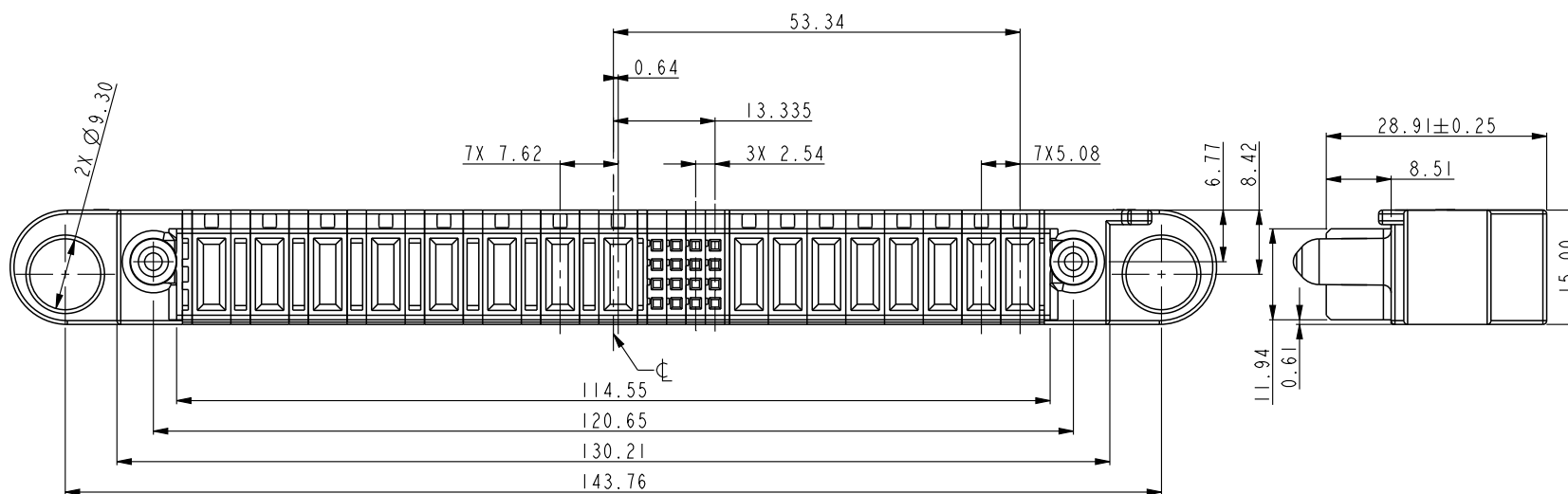
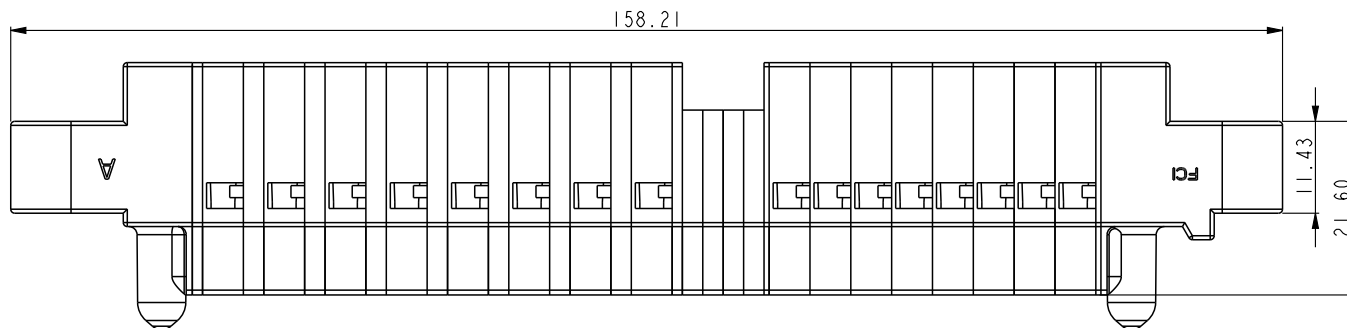


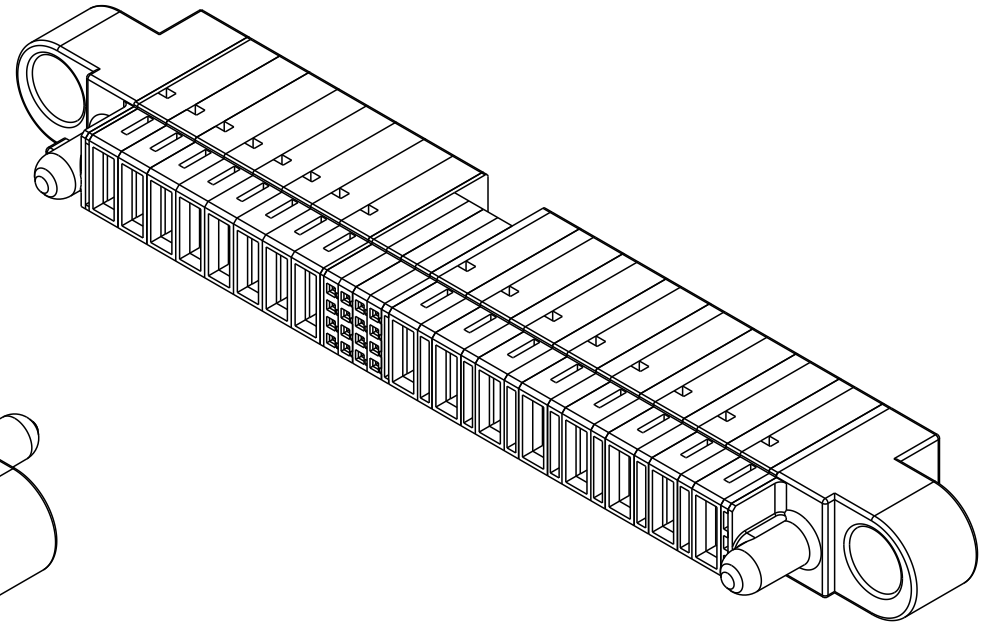
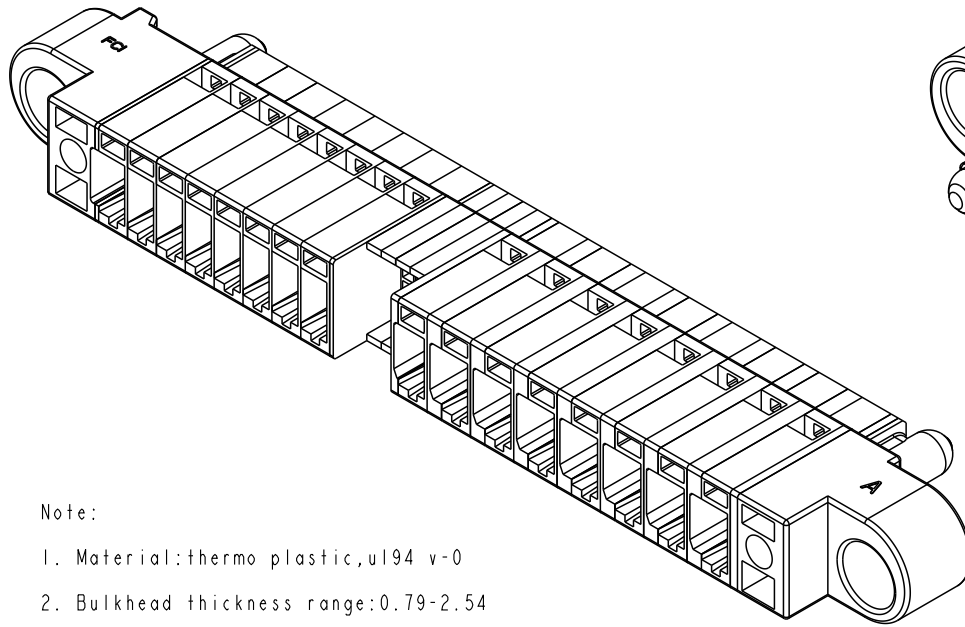
PART NUMBER 10066440-DGC0356LF	ROWS	POWER								SIGNAL				POWER								E	
	D	E	P16	P15	P14	P13	P12	P11	P10	P9	4	3	2	1	P8	P7	P6	P5	P4	P3	P2		P1
	C		LM	FM	LM	FM	LM	FM	FM	FM	S	S	S	S	FM	FM	FM	LM	LM	FM	FM		FM
	B		S	S	S	S	S	S	S	S	S	S	S	S	S	S	S	S	S	S	S		S
	A		S	S	S	S	S	S	S	S	S	S	S	S	S	S	S	S	S	S	S		S



CONTACT TABLE	
CODE	DESCRIPTION
FM	FIRST MATE CONTACT
LM	LAST MATE CONTACT
S	SIGNAL CONTACT

spec ref	*	dr	Yong Zhang	2016/01/13	projection	MM	size	A4	scale	1:1										
tolerance std	TOLERANCES UNLESS OTHERWISE SPECIFIED	eng	Yong Zhang	2016/01/19			ecn no	-	rel level	Released										
surface	<table border="1"> <tr> <td>linear</td> <td>0.X</td> <td>±0.5</td> </tr> <tr> <td></td> <td>0.XX</td> <td>±0.25</td> </tr> <tr> <td></td> <td>0.XXX</td> <td>±0.10</td> </tr> <tr> <td>angular</td> <td>0°</td> <td>±2°</td> </tr> </table>	linear	0.X	±0.5						0.XX	±0.25		0.XXX	±0.10	angular	0°	±2°	chr	-	-
linear	0.X	±0.5																		
	0.XX	±0.25																		
	0.XXX	±0.10																		
angular	0°	±2°																		
		appr	Guo-Feng Jin	2016/01/19	www.fci.com		cat. no.	*	Product - Customer Drw	sheet 1 of 2										
		title		8DCP+16S+8ACP, PM		dwg no		10066440-DGC0356LF												
		PwrBlade Cable Housing																		

ProjE File - REV C - 2009-06-09



Note:

1. Material: thermo plastic, ul94 v-0
2. Bulkhead thickness range: 0.79-2.54
3. Color: black
4. Applicable components
 Applicable power crimp contact: 10132418-*****LF
 Applicable contact secondary lock: 10073097-DGC001LF
 Applicable signal contact 76347-DGC302LF
 Applicable latch 10066441-DGC001LF for STR version
5. Product Spec: GS-12-474
6. Application Spec: GS-20-0445
7. The part is been sold as loose piece and fci guarantees is the part in compliance with this customer drawing statement. The product spec for cable assembly can be only as the reference document because the testing and spec is based on using fci raw cable and cable assembly. If the raw cable and cable assembly is outside suppliers sourced by cusotmers, customers or cable assembly suppliers should be fully responsible for the cable assy quality.



Copyright FCI.

spec ref	*	dr	Yong Zhang	2016/01/13	projection 	MM ←→	size	A4	scale	1:1
tolerance std	TOLERANCES UNLESS OTHERWISE SPECIFIED	eng	Yong Zhang	2016/01/19			ecn no	-		
		chr	-	-						
surface	✓	appr	Guo-Feng Jin	2016/01/19	product family	PWRBLADE	rel level	Released		
	linear	0.X	±0.5		title	8DCP+16S+8ACP, PM	dwg no	10066440-DGC0356LF	rev	A
		0.XX	±0.25							
		0.XXX	±0.10							
	angular	0°	±2°	www.fci.com	cat. no.	*	Product - Customer Drw	sheet 2 of 2		