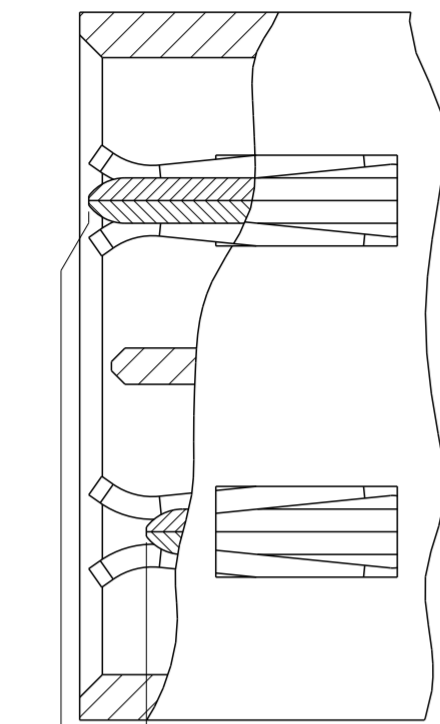
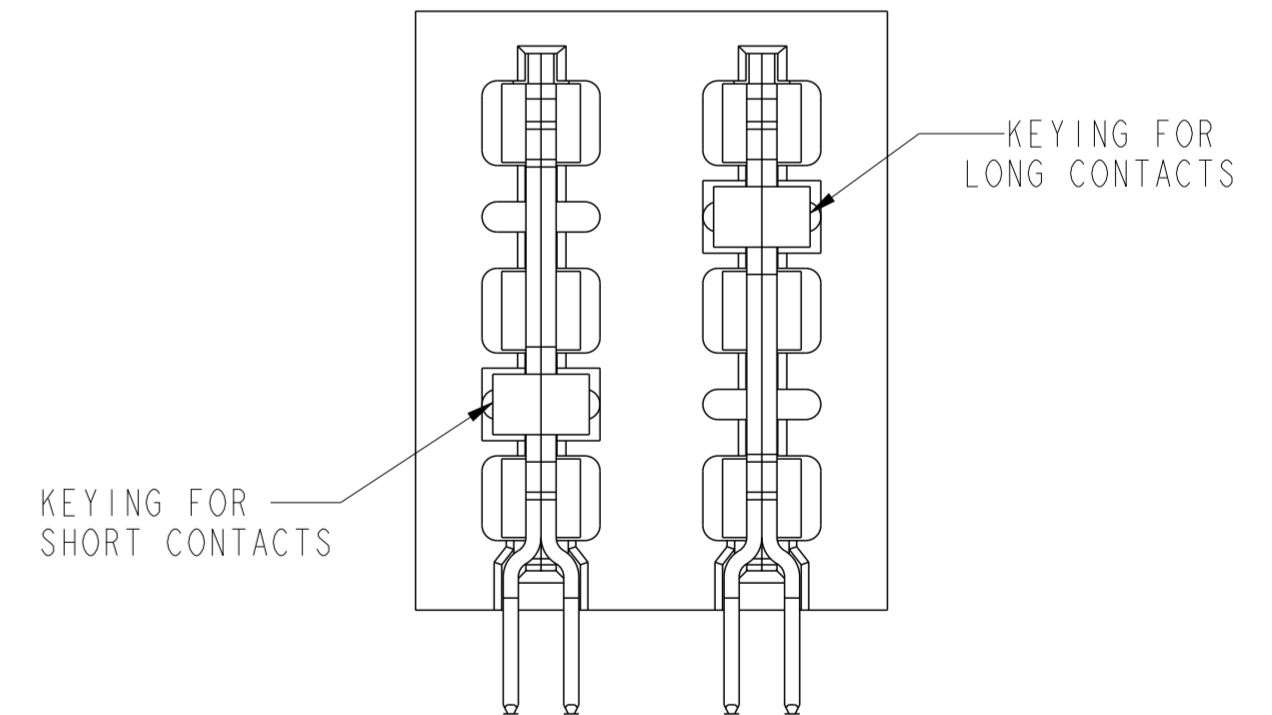
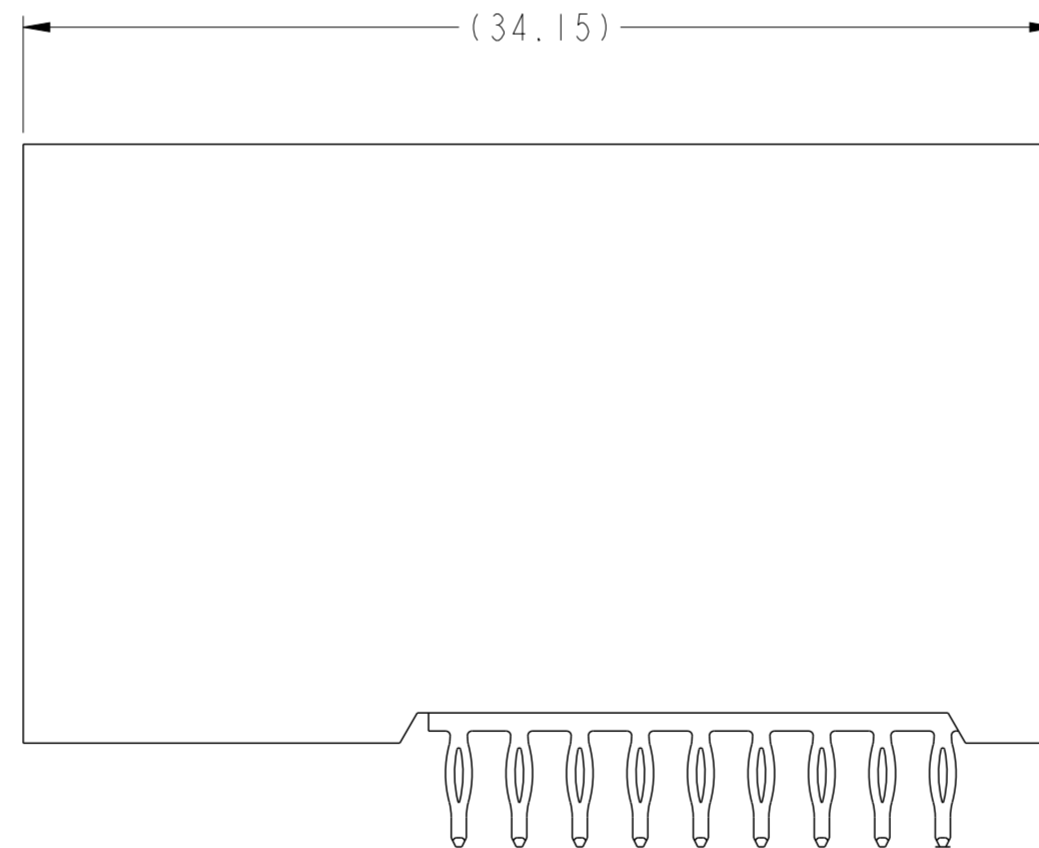
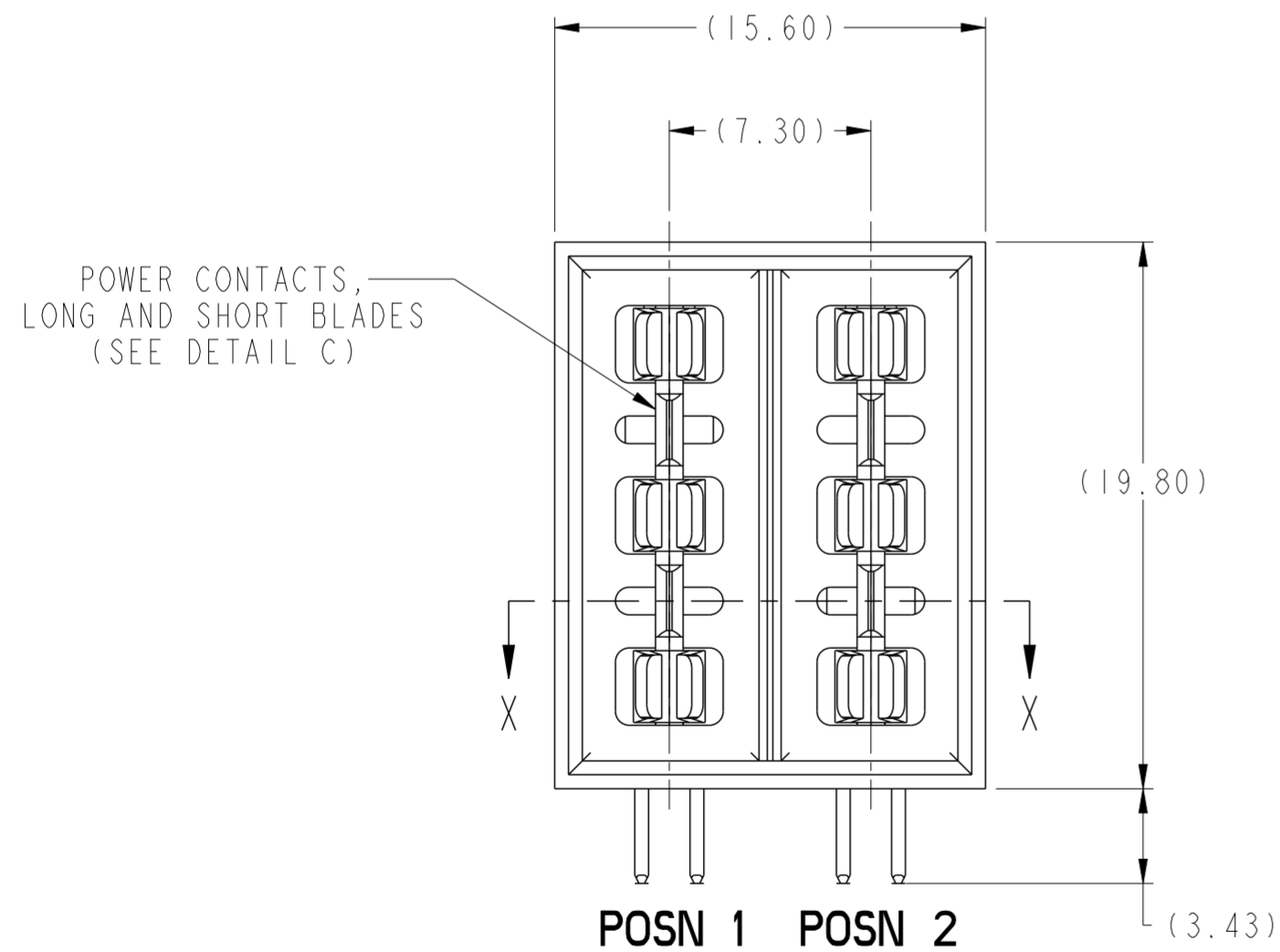
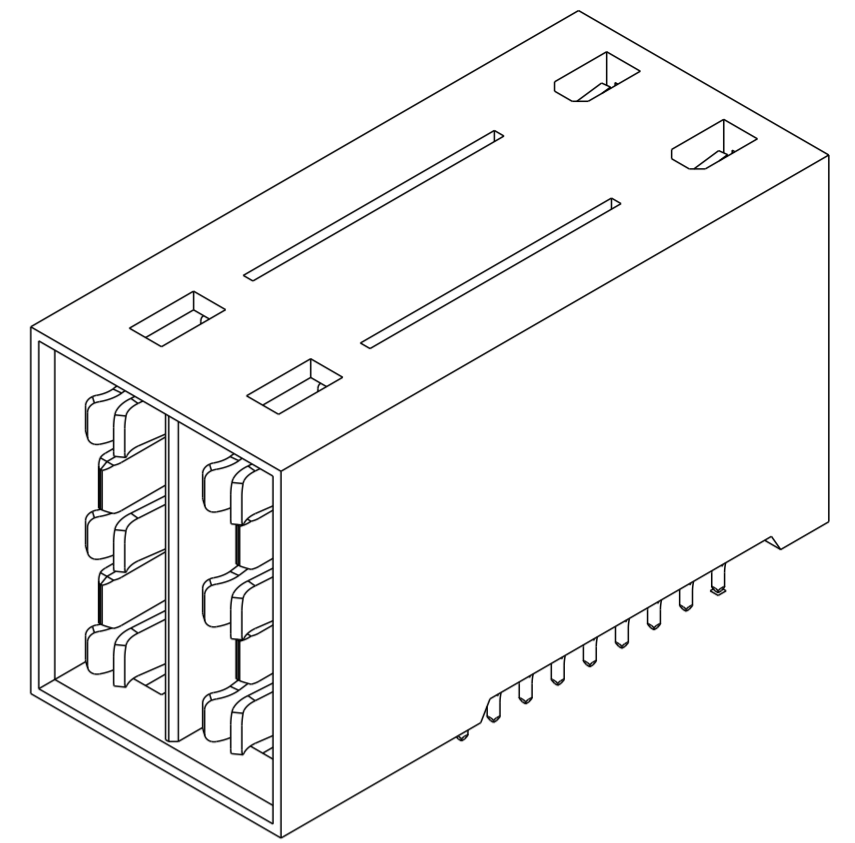
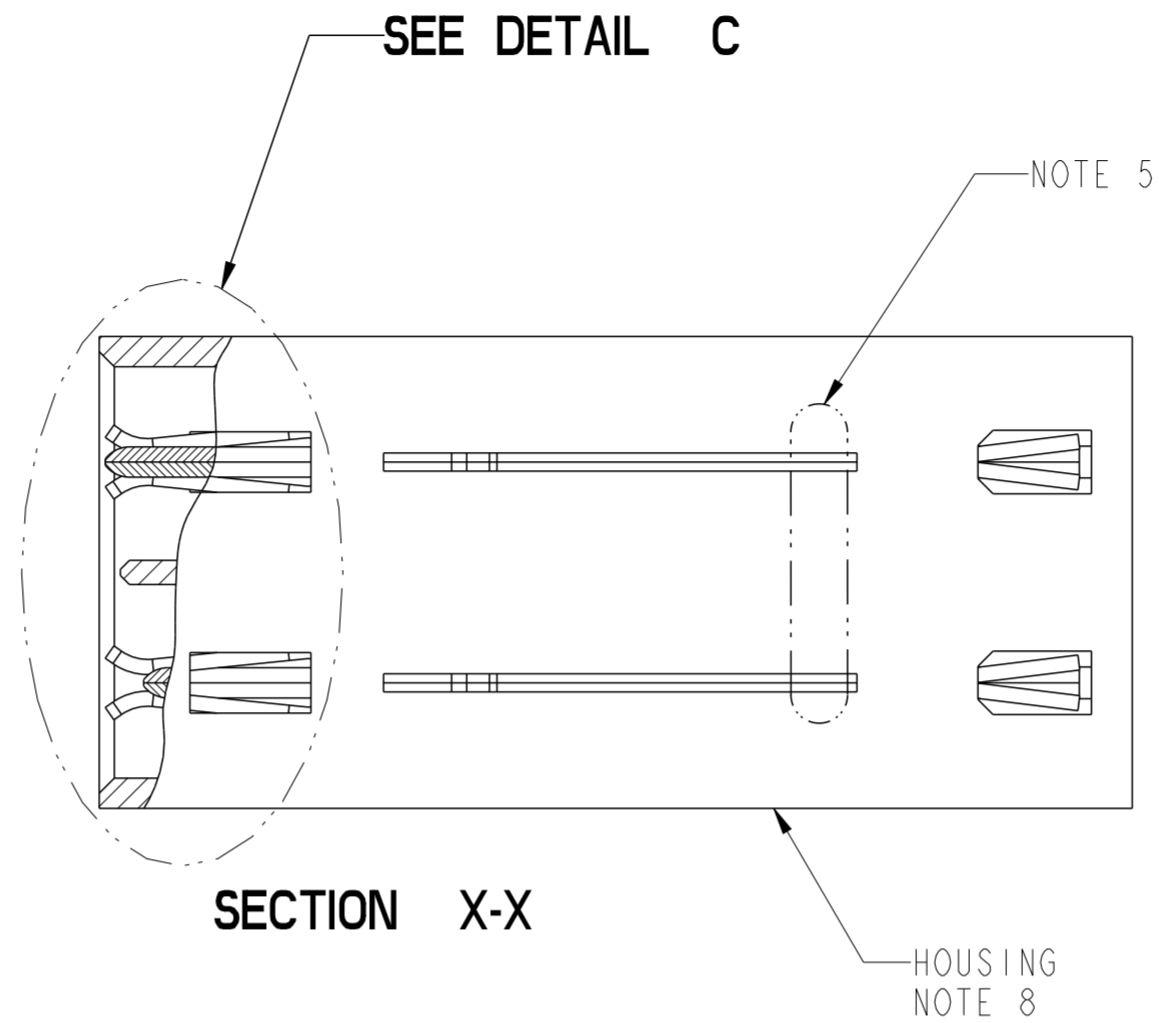


PART NUMBER	FIRST MATE (LONG) CONTACT POSN	SECOND MATE (SHORT) CONTACT POSN	TAIL TYPE
10078770-001LF	NONE	POSN 1 & 2	PRESS-FIT
10078770-002LF	POSN 1	POSN 2	
10078770-003LF	POSN 1 & 2	NONE	



DETAIL C
SCALE 6:1
POWER MATING
SEQUENCE
(SEE TABLE)

(1.27)
CONTACT SEQUENCING



10078770-002 SHOWN

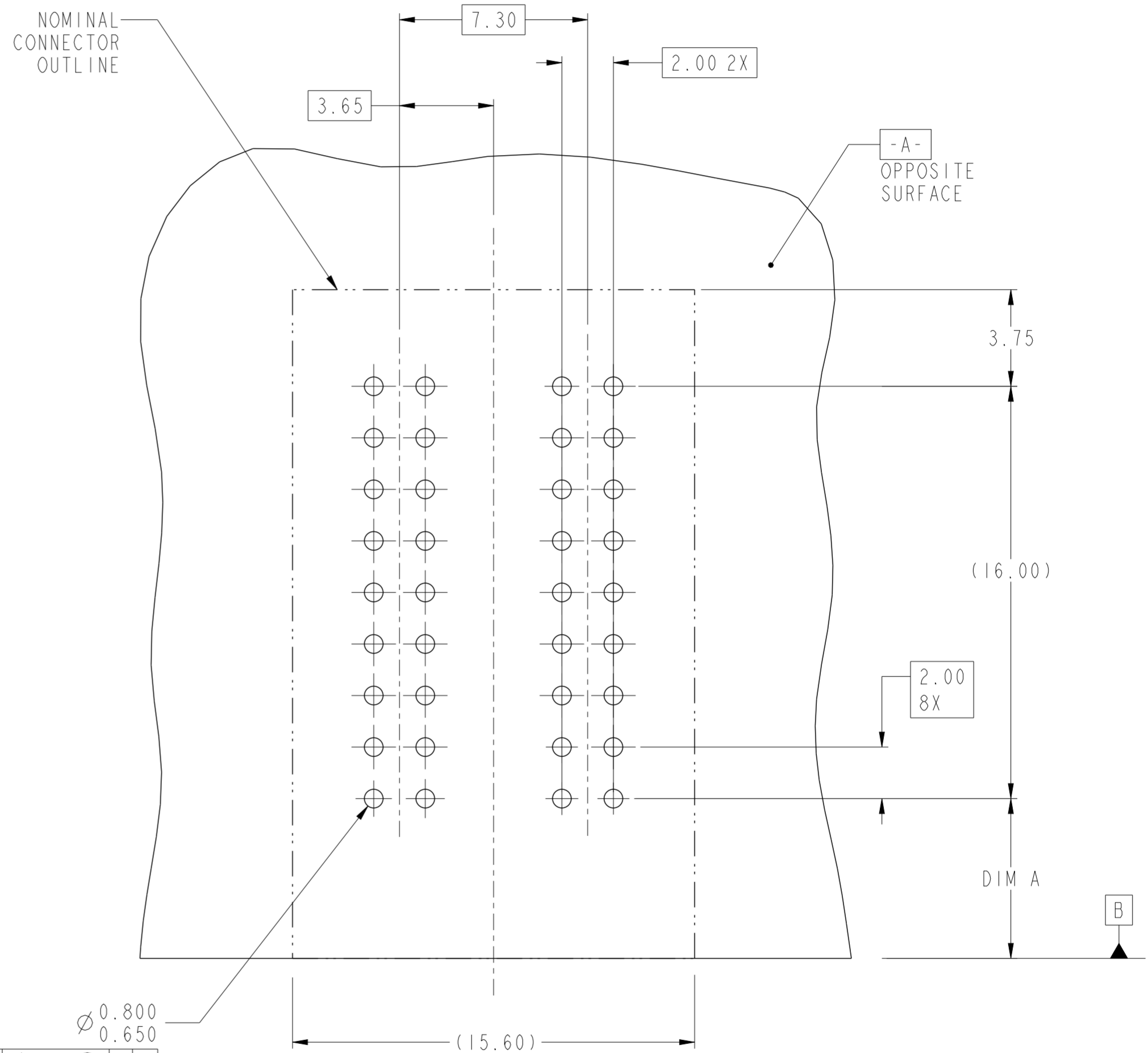
spec ref	*	dr	Not Found DuWa	2010/04/28	projection	MM	size	A2	scale	4:1	
tolerance std	ASME Y14.5	eng	De-Ming Lu	2014/12/28	chr	-	ecn no	ELX-DG-19849-1	rel level	Released	
surface	linear	appr	Pei-Ming Zheng	2014/12/29	product family	HCI	rel level	Released	cat. no.	Product - Customer Drw	
ASME Y14.5	angular	0°	±2°	www.fci.com	title	ASSEMBLY, HEADER, R/A	2 POSN ISOLATED POWER CONTACT	dwg no	10078770	rev	D



TOP LAYER DESCRIPTION	TABLE 1 (HCI POWER) PLATED THROUGH-HOLE REQUIREMENTS							
	DRILLED HOLE DIAMETER	COPPER THICKNESS	TIN-LEAD THICKNESS	NICKEL THICKNESS	GOLD THICKNESS	TIN THICKNESS	SILVER THICKNESS	FINISHED HOLE DIAMETER
TIN-LEAD	0.81-0.86 (0.85 DRILL)	0.025 - 0.050	0.005 - 0.015	--	--	--	--	0.65 - 0.80
IMMERSION TIN	0.81-0.86 (0.85 DRILL)	0.025 - 0.050	--	--	--	0.9 - 1.5um	--	0.70 - 0.80
IMMERSION SILVER	0.81-0.86 (0.85 DRILL)	0.025 - 0.050	--	--	--	--	0.15 - 0.65um	0.70 - 0.80
COPPER (SEE NOTE 9)	0.81-0.86 (0.85 DRILL)	0.025 - 0.050	--	--	--	--	--	0.70 - 0.80
GOLD	0.81-0.86 (0.85 DRILL)	0.025 - 0.050	--	0.003 - 0.007	FLASH UP TO 0.0002	--	--	0.69 - 0.80

NOTES:

- CONNECTOR MATERIALS:
HOUSING: HIGH TEMPERATURE THERMOPLASTIC, BLACK
UL 94V-0 COMPLIANT
CONTACTS: HIGH PERFORMANCE COPPER ALLOY
- CONTACT FINISH (Ref. GS-12-380 SECTION 5.2)
- PRODUCT SPECIFICATION: GS-12-380.
- APPLICATION SPECIFICATION: GS-20-070.
- PRODUCT MARKING (PRODUCT NUMBER & DATE CODE) ON HOUSING IN AREA SHOWN.
- MINIMUM NOMINAL PCB THICKNESS: 1.6mm
- PACKAGING MEETS FCI SPECIFICATION GS-14-1194
- HOUSING COMPONENT WILL WITHSTAND EXPOSURE TO 260°C PEAK TEMPERATURE FOR 60 SECONDS IN A CONVECTION, INFRA-RED, OR VAPOR PHASE REFLOW OVEN.
- COPPER PLATING THICKNESS IN CENTER OF VIA-HOLE CAN BE NO MORE THAN 0.003 LESS THAN OTHER AREAS.
- ALL HOLE SIZES ARE FINISHED HOLE SIZES UNLESS OTHERWISE NOTED.



RECOMMENDED PCB LAYOUT
COMPONENT SIDE
NOTE 6

DIM A	DISTANCE FROM BOARD TO BOARD AT FULLY MATED POSITION (NOMINAL)	PRODUCT LINE APPLICATION
8.70 mm	10.0 mm	Metral High Speed
6.20 mm	12.5 mm (H.M.)	Airmax VS,Zipline
2.20 mm	16.5 mm	XCede

dr	NotFound DuWa	2010/04/28	projection	MM	size	A2	scale	6:1
eng	De-Ming Lu	2014/12/28			ecn no	ELX-DG-19849-1	rel level	Released
chr	-	-						
appr	Pei-Ming Zheng	2014/12/29	product family	-	rel level	-	rel level	Released
			title ASSEMBLY, HEADER, R/A 2 POSN ISOLATED POWER CONTACT		dwg no 10078770	rev D		
www.fci.com			cat. no.		Product - Customer Drw			sheet 2 of 2

