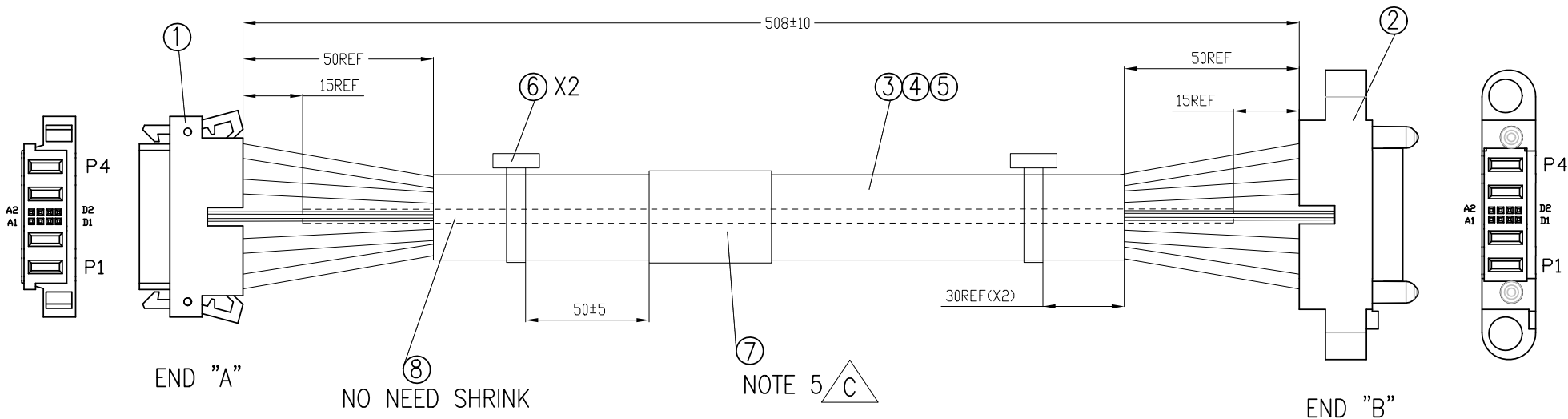


FCI P/N: NOTE3
10080594-7BB0178LF



NA	MM	HEAT SHRINK TUBE, BLACK, 7.0mm	8
1	PC	LABEL	7
2	PC	CABLE TIE, WHITE	6
NA	MM	EXPANDABLE SLEEVE, BLACK, 20mm	5
NA	MM	UL1007 24AWG GREEN	4
NA	MM	UL10070 8awg, HIGH FLEX, BLACK	3
1	PC	2Acp8S2Acp PANEL MOUNT PWRBLADE KIT	2
1	PC	2Acp8S2Acp STR PWRBLADE KIT	1
Qty	Unit	Description	Item

mat'l. code		surface	tolerance	projection	product family
ltr		ecn no	dr	date	tolerances unless otherwise specified
E	-	W.W	04-09'12	04-09'12	SEE NOTES
		angles	linear	MM	title
				scale	PwrBlade 2Acp8S2Acp CABLE ASSEMBLY
		dr	Wilson.W	09-15'10	dwg no
		enr	Wilson.W	09-15'10	sheet 1 of 3
		chr	Wilson.W	09-15'10	10080594-7BB0178LF
		appd	Jackson	09-15'10	size
					A3
					type CUSTOMER
sheet index	revision sheet	E	1		

Copyright FCI
 FCIconnect.com

WIRING LIST

	<u>END "A"</u>		<u>END "B"</u>		<u>END "A"</u>		<u>END "B"</u>
A1	<u>UL1007 24awg green</u>		A1		<u>P1</u>		<u>P1</u>
A2	<u>UL1007 24awg green</u>		A2		<u>P2</u>		<u>P2</u>
B1	<u>UL1007 24awg green</u>		B1		<u>P3</u>		<u>P3</u>
B2	<u>UL1007 24awg green</u>		B2		<u>P4</u>		<u>P4</u>
C1	<u>UL1007 24awg green</u>		C1				
C2	<u>UL1007 24awg green</u>		C2				
D1	<u>UL1007 24awg green</u>		D1				
D2	<u>UL1007 24awg green</u>		D2				

FCI
FCIconnect.com

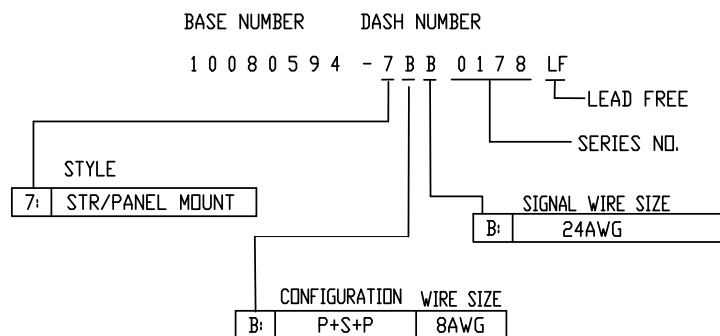
Copyright FCI

mat'l. code		surface <input checked="" type="checkbox"/>		tolerance		projection		product family C & A		
ltr	ecn no	dr	date	tolerances unless otherwise specified				title PwrBlade 2Acp8S2Acp CABLE ASSEMBLY		
E				angles	linear					SEE NOTES
						scale		dwg no 10080594-7BB0178LF sheet 2 of 3 size A3		
				dr	Wilson.W	09-15'10				
				enr	Wilson.W	09-15'10				
				chr	Wilson.W	09-15'10				
				appd	Jackson	09-15'10		type CUSTOMER		
sheet index	revision sheet	E	2							

NOTES:

- ①. END "A" MATES WITH FCI HEADER PART NUMBER 51963-062LF.
END "B" MATES WITH FCI HEADER PART NUMBER 51939-558LF.
- ②. UNLESS OTHERWISE SPECIFIED ASSEMBLED LENGTH TOLERANCE =
< 1 METER: ±15.0mm
> 1 METER TO 10 METER: ±2% OF L1
> 10 METER: +0.00% / -4% OF L1

3. PART NUMBER DESCRIPTION:



- ④. UNLESS OTHERWISE SPECIFIED LABEL POSITION SHALL BE APPROXIMATELY 50mm FROM REAR OF CONNECTOR.
- ⑤. LABEL DESCRIPTION AS BELOW.
BARCODE 128 TYPE, USE PERMANENT INDELIBLE INK IN A CONTRASTING COLOR WITH 0.12 INCH HIGH CHARACTERS.



DATE CODE
YY= YEAR
WW= WEEK

- ⑥. ALL CABLE ASSEMBLIES SHALL BE TESTED 100% FOR CONTINUITY AS DEFINED IN WIRING LIST.
- 7. UNLESS OTHERWISE SPECIFIED ALL CABLE ASSEMBLIES SHALL BE 100% HI-POT TESTED BY APPLYING 300V DC FOR MINIMUM OF 10ms, UNLESS ACTIVE COMPONENTS ARE USED IN THIS ASSEMBLY.
- 8. ALL CUSTOMER DRAWINGS ARE SUPPLIED WITH METRIC DIMENSIONS.
- ⑨. LEAD FREE PRODUCTS MEET EUROPEAN UNION DIRECTIVES AND OTHER COUNTRY REGULATIONS AS DESCRIBED IN GS-22-008.

PACKAGING OF LEAD FREE PRODUCTS MEETS LABELING AND PACKAGING SPECIFICATION GS-14-920.
- ⑩. CONNECTOR ASSEMBLIES SHOWN ARE FOR REFERENCE ONLY AND MAY NOT SHOW ALL PART DETAIL. REFERENCE CONNECTOR HOUSING DRAWINGS FOR COMPLETE DETAILS.
- 11. BAG AND TAG WITH THE PART NUMBER AND THE LATEST REVISION.
- ⑫. THIS DIMENSION IS A FINISHED PRODUCT LENGTH.
- 13. CABLE: UL APPROVED, TEMPERATURE RATING 105°C. 300V .
HOUSING: HIGH TEMP. THERMOPLASTIC, UL94V-0 GLASS FILLED,
COLOR: BLACK
POWER CONTACTS: COPPER ALLOY

mat'l. code		surface <input checked="" type="checkbox"/>		tolerance		projection		product family C & A	
ltr	ecn no	dr	date	tolerances unless otherwise specified		SEE NOTES		title	
E				angles	linear	MM		PwrBlade 2Acp8S2Acp CABLE ASSEMBLY	
						scale		dwg no sheet 3 of 3 size	
				dr	Wilson.W	09-15'10		10080594-7BB0178LF A3	
				enr	Wilson.W	09-15'10		type CUSTOMER	
				chr	Wilson.W	09-15'10			
				appd	Jackson	09-15'10			
sheet index	revision sheet	E	3						