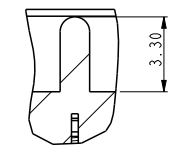
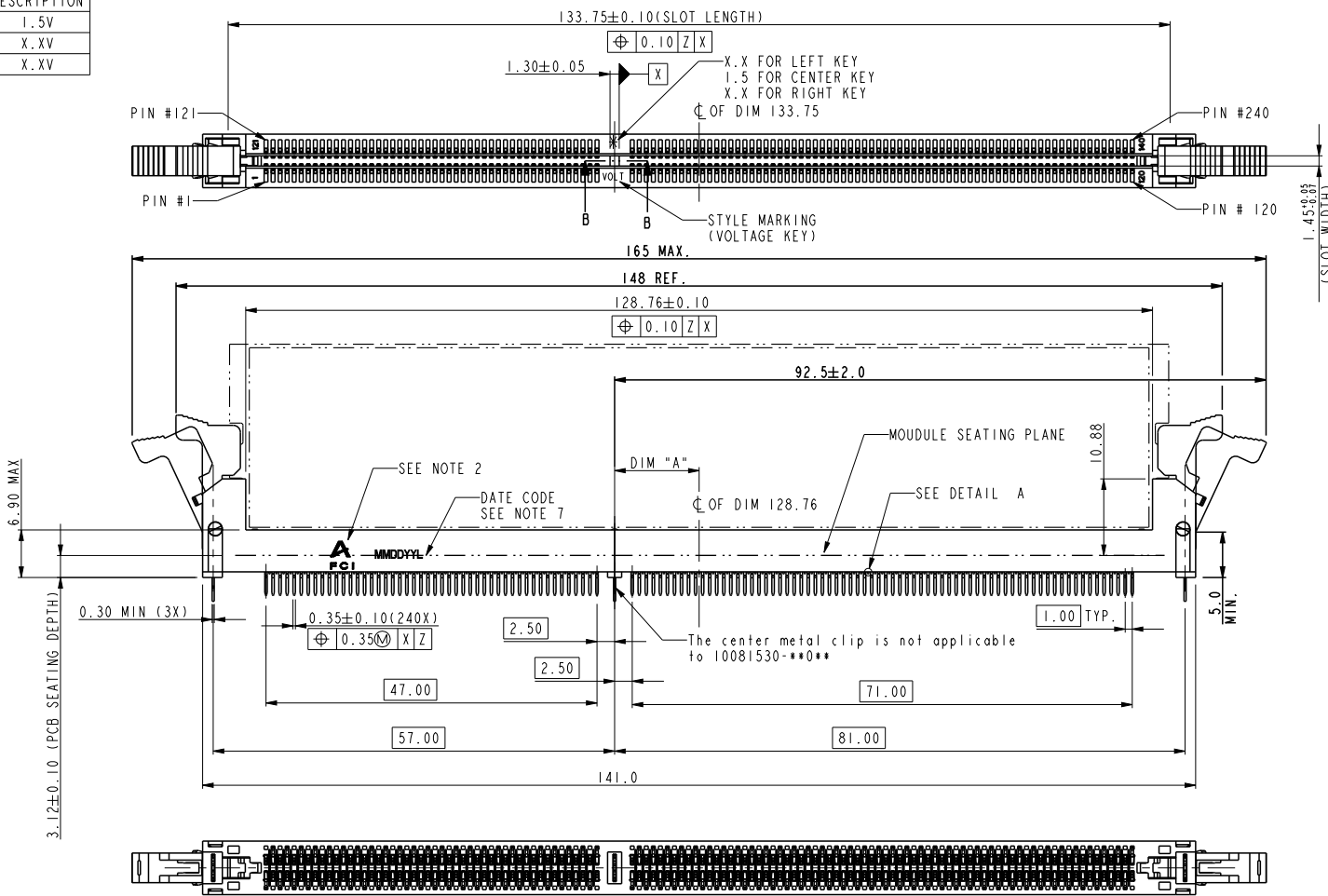
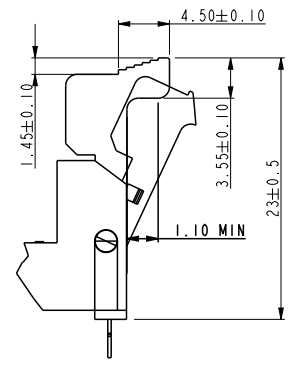
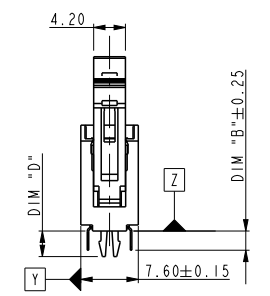


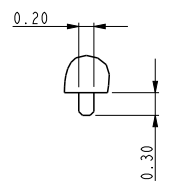
PART NO.	DIM "A"	DESCRIPTION
10081530-1****	12.00	1.5V
10081530-2****	11.00	X.XV
10081530-3****	13.00	X.XV



SECTION B-B
SCALE 3.000



SCALE 1.500



DETAIL A
SCALE 10.000



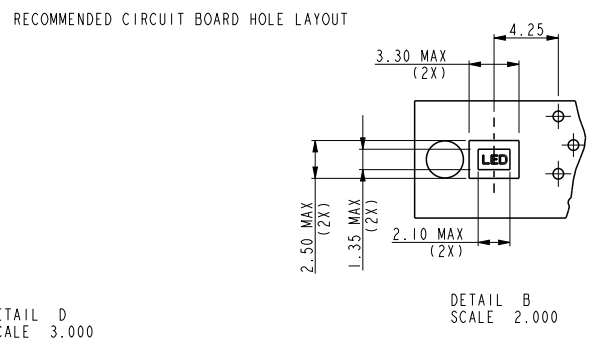
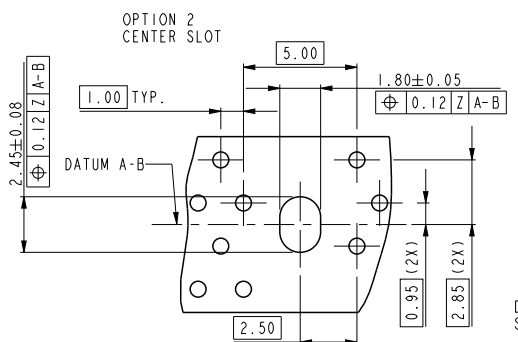
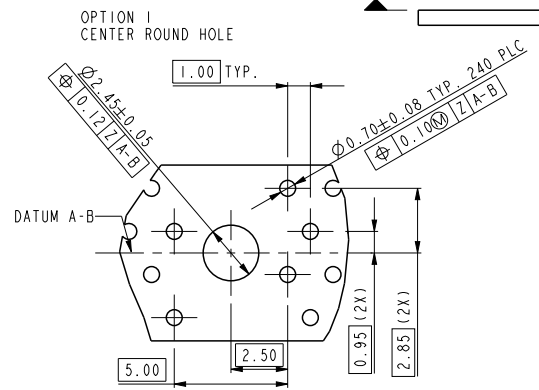
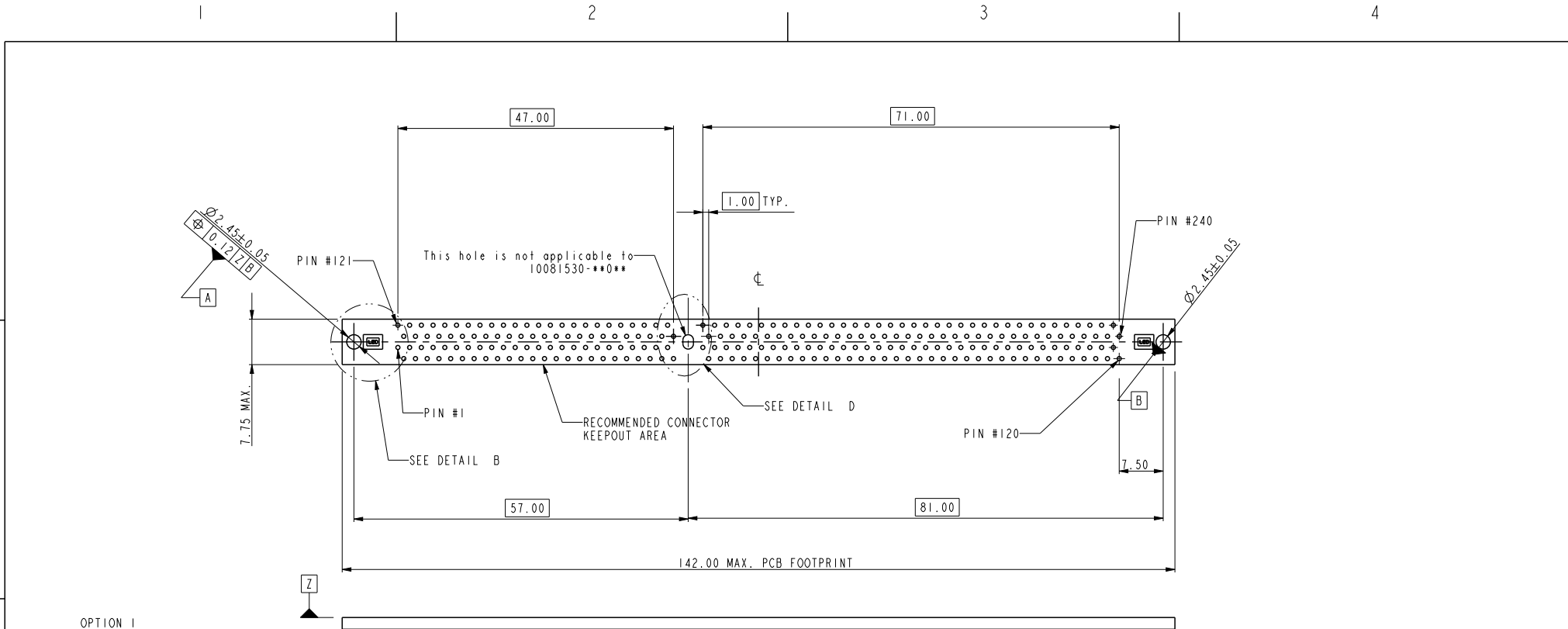
Copyright FCI.

spec ref	*	dr	Rick Bian	2010/07/03	projection	mm	size	A4	scale	0.500
tolerance std	TOLERANCES UNLESS OTHERWISE SPECIFIED	eng	Terris Liu	2013/03/05			ecn no	ELX-DG-13769-1		
		chr	Tian-Xu Huang	2013/03/05				rel level	Released	
surface	✓	appr	Pei-Ming Zheng	2013/03/05	product family	-	rev	J		
	linear				title	DDR3 R-DIMM CONNECTOR		dwg no	10081530	
	angular				cat. no.	-	Product - Customer Drw	sheet 1 of 4		

ProjE File - REV C - 2009-06-09



Copyright FCI.



spec ref	*	dr	Rick Bian	2010/07/03	projection	mm	size	A4	scale	0.500
tolerance std	TOLERANCES UNLESS OTHERWISE SPECIFIED	eng	Terris Liu	2013/03/05			ecn no	ELX-DG-13769-1		
		chr	Tian-Xu Huang	2013/03/05				rel level	Released	
surface	✓	appr	Pei-Ming Zheng	2013/03/05	product family	-	rev	J		
	linear				title	DDR3 R-DIMM CONNECTOR		dwg no	10081530	
	angular				cat. no.	-	Product - Customer Drw	sheet 3 of 4		

ProjE File - REV C - 2009-06-09

A

B

C

D

A

B

C

D

10081530 - □ □ □ □ □

STYLE : MECHANICAL KEYING

- 1 : 1.5 VOLT. W/ CENTER KEY "XB"
- 2 : X.X VOLT. W/ LEFT KEY "XA"
- 3 : X.X VOLT. W/ RIGHT KEY "XC"

CODE	METAL CLIP DIM "D"	TAIL LENGTH DIM "B"	METAL CLIP QTY AND LOCATION
11	3.05	2.67	3 (BOTH ENDS AND CENTER)
22	3.56	3.18	
33	3.56	4.00	
10	3.05	2.67	2 (BOTH ENDS)
20	3.56	3.18	
30	3.56	4.00	

PLATING

CODE	CONTACT	SOLDERTAIL	UNDERPLATE	NOTE
2	15u" (0.38um) MIN. GOLD	100u" (2.54um) MIN. TIN/LEAD	50u" (1.27um) MIN. NICKEL OVERALL	
3	30u" (0.76um) MIN. GOLD			
4	GOLD FLASH			
5LF	20u" (0.508um) MIN. GOLD	100u" (2.54um) MIN. 100% TIN	90u" (2.29um) MIN NICKEL OVERALL	CONTACT NON LUBRICATED
7LF	15u" (0.38um) MIN. GOLD			
8LF	30u" (0.76um) MIN. GOLD			
9LF	3u" (0.07um) MIN. GOLD			
8SLF	30u" (0.76um) MIN. GOLD			
8ELF	30u" (0.76um) MIN. GXT		90u" (2.29um) MIN NICKEL OVERALL	CONTACT PAO LUBRICATED
7NLF	15u" (0.38um) MIN. GOLD			
8NLF	30u" (0.76um) MIN. GOLD			
9NLF	3u" (0.07um) MIN. GOLD			
7GLF	15u" (0.38um) MIN. GXT			
8GLF	30u" (0.76um) MIN. GXT		50u" (1.27um) MIN. NICKEL OVERALL	CONTACT NON LUBRICATED

NOTES:

- MATERIAL:
HOUSING: HIGH PERFORMANCE RESINS, GLASS FILLED UL94V-0 RATED.
EJECTOR: HIGH PERFORMANCE RESINS, GLASS FILLED UL94V-0 RATED.
TERMINAL: COPPER ALLOY.
METAL CLIP: COPPER ALLOY.
- FCI LOGO TO BE APPROXIMATELY LOCATED AS SHOWN ON PRINT.
- PRODUCT SPECIFICATION: GS-12-486.
- PACKAGING SPECIFICATION: GS-14-899.
- CARD THICKNESS APPLIES ACROSS TABS AND INCLUDES PLATING AND/OR METALIZATION.
- LEADING EDGE OF CONTACT PADS SPECIFIED BY THE KEEP OUT ZONE SHALL BE FREE OF BURRS AND EXTERNAL TIE BARS. FOR OPTIMUM PERFORMANCE, THE TIE BAR IS TO BE ON AN INTERNAL LAYER SO THAT THE REMNANT CANNOT CAUSE CONTACT DAMAGE.
- DATE CODE: DATE CODE MMDDYY IS ASSEMBLY DATE, L IS PRODUCTION LINE ("D" DENOTES FCI DONGGUAN).
- SOCKET IS COMPLIANT TO JEDEC SO-007 AND ACCEPTS JEDEC MODULE MO-269, VARIATIONS AA THRU FC.
- THIS PRODUCT MEETS EUROPEAN UNION DIRECTIVES AND OTHER COUNTRY REGULATIONS AS DESCRIBED IN GS-22-008.
- THE HOUSING WILL WITH STAND EXPOSURE TO 260°C PEAK TEMPERATURE FOR 10 SECONDS IN A WAVE SOLDER APPLICATION.
- THE CLEAR LATCH CAN WITHSTAND MAX 174°C EXPOSURE TEMPERATURE.

COLOR OF HOUSING AND EJECTOR

- 0 : BLACK HOUSING + IVORY EJECTOR
- 1 : BLUE HOUSING + IVORY EJECTOR
- 2 : BLACK HOUSING + BLACK EJECTOR
- 3 : BLACK HOUSING + CLEAR EJECTOR
- 4 : BLUE HOUSING + CLEAR EJECTOR
- 5 : IVORY HOUSING + CLEAR EJECTOR
- 6 : BLACK HOUSING + BLUE(2945C) EJECTOR
- 7 : IVORY HOUSING + IVORY EJECTOR
- 8 : BLACK HOUSING + GREEN(375C) EJECTOR
- 9 : IVORY HOUSING + BLACK EJECTOR
- A : GREEN HOUSING + IVORY EJECTOR



Copyright FCI.

spec ref	*	dr	Rick Bian	2010/07/03	projection	mm	size	A4	scale	0.500	
tolerance std	TOLERANCES UNLESS OTHERWISE SPECIFIED	eng	Terris Liu	2013/03/05		←→	ecn no				ELX-DG-13769-1
surface		linear	chr	Tian-Xu Huang			2013/03/05	rel level			
			appr	Pei-Ming Zheng	2013/03/05	product family				-	
			0.X	±0.38		title	DDR3 R-DIMM CONNECTOR				dwg no
0.XX	±0.25	METAL CLIP TYPE									
0.XXX	±0.13	www.fci.com									
angular	0°	±2°		cat. no.	Product - Customer Drw				sheet 4 of 4		