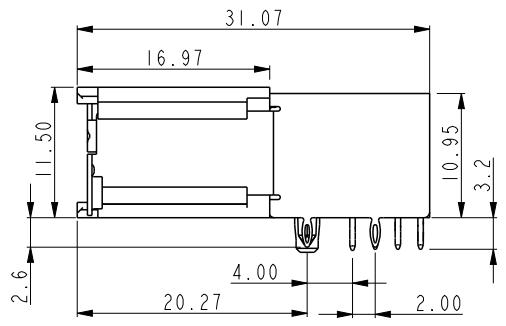
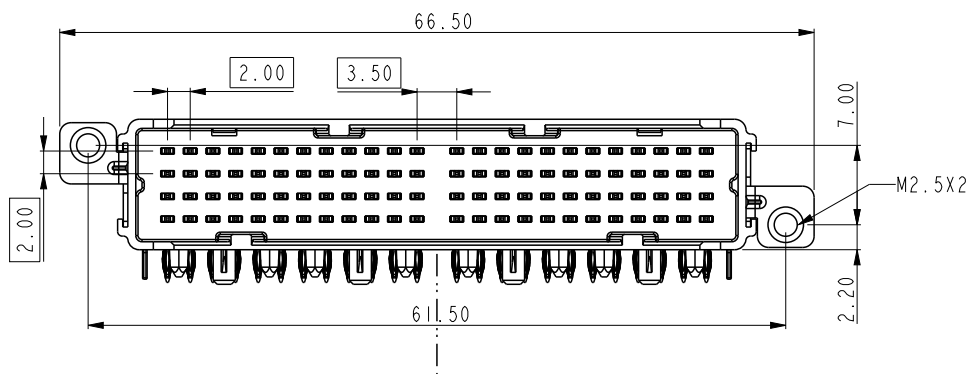
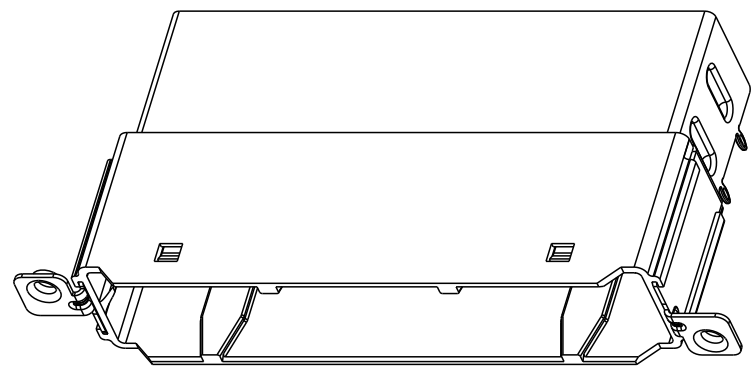
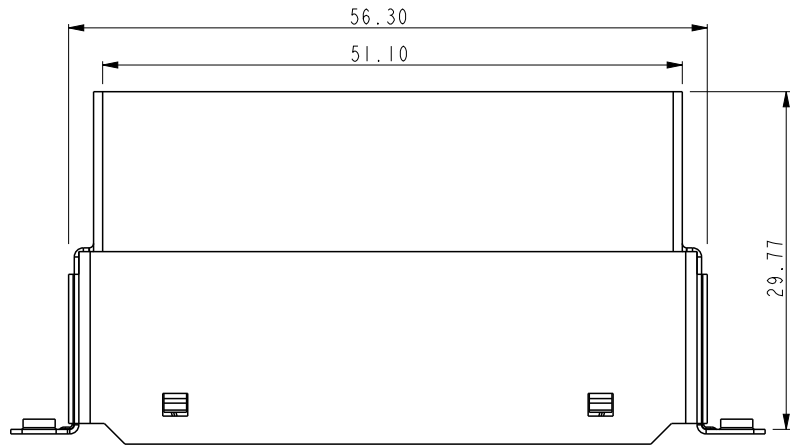


Part Number 10087068-101LF



Copyright FCI.

spec ref	*	dr	wcadmin	2008/08/08	projection 	MM ←→	size	A4	scale	1.500			
tolerance std	TOLERANCES UNLESS OTHERWISE SPECIFIED	eng	Terran Huang	2011/07/27			ecn no	ELX-DG-004524-1					
		chr	-	-				rel level	Released				
surface	✓	appr	Pei-Ming Zheng	2011/07/29	product family								
	linear	0.X	±0.30		title	96 pos RA header	dwg no	10087068	rev	D			
		0.XX	±0.15							cat. no.	-	Product - Customer Drw	sheet 1 of 2
	angular	0°	±3°							www.fci.com			

ProE File - REV C - 2009-06-09

