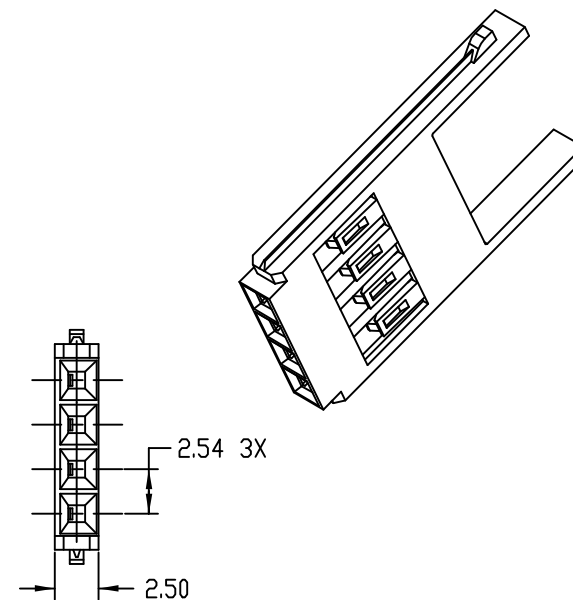
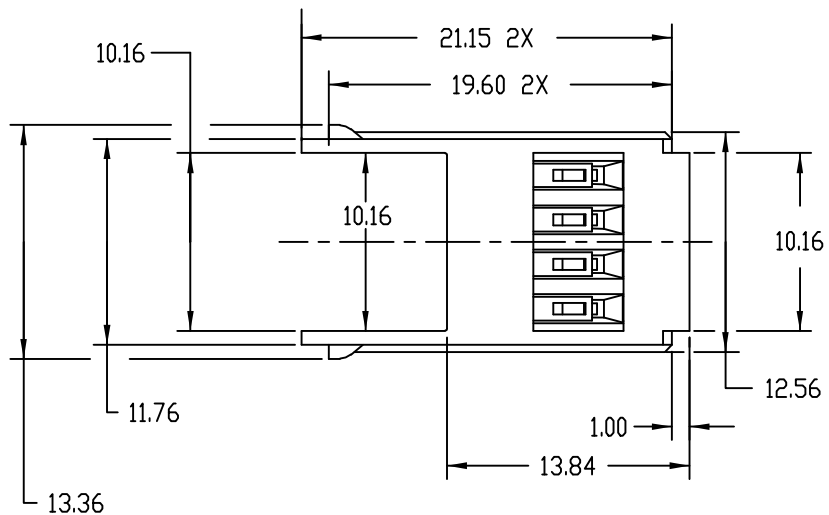


PART NUMBER
10097392-DGC001LF



NOTE

1. Material : Thermo plastic , UL94-V0 , black .
2. The part is been sold as loose piece and fci guarantees is the part in compliance with this customer drawing statement. The product spec for cable assembly can be only as the reference document because the testing and spec is based on using fci raw cable and cable asseymble. If the raw cable and cable assembly is outside suppliers sourced by cusotmers, customers or cable assembly suppliers should be fully responsible for the cable assy quality.



Copyright FCI.

spec ref	-	dr	Yang Zhang	2014-10-16	projection		size	A3	scale	N/A															
tolerance std	TOLERANCES UNLESS OTHERWISE SPECIFIED	eng	Yang Zhang	2014-10-16		mm	ecn no	-																	
-		chr	GF Jin	2014-10-16			rel level	-																	
surface	<table border="1"> <tr> <td rowspan="3">linear</td> <td>0.X</td> <td>±0.5</td> </tr> <tr> <td>0.XX</td> <td>±0.25</td> </tr> <tr> <td>0.XXX</td> <td>±0.05</td> </tr> <tr> <td>angular</td> <td>0</td> <td>±2'</td> </tr> </table>	linear	0.X	±0.5	0.XX	±0.25	0.XXX	±0.05	angular	0	±2'		<table border="1"> <tr> <td>title</td> <td>IMLA PowerBlade Cable Assembly</td> <td>dwg no</td> <td>10097392-DGC001LF</td> <td>rev</td> <td>A</td> </tr> <tr> <td>www.fci.com</td> <td>cat. no.</td> <td>-</td> <td>Customer Drawing</td> <td colspan="2">sheet 1 of 1</td> </tr> </table>	title	IMLA PowerBlade Cable Assembly	dwg no	10097392-DGC001LF	rev	A	www.fci.com	cat. no.	-	Customer Drawing	sheet 1 of 1	
linear	0.X		±0.5																						
	0.XX		±0.25																						
	0.XXX	±0.05																							
angular	0	±2'																							
title	IMLA PowerBlade Cable Assembly	dwg no	10097392-DGC001LF	rev	A																				
www.fci.com	cat. no.	-	Customer Drawing	sheet 1 of 1																					

ProjE File - REV C - 2009-06-09