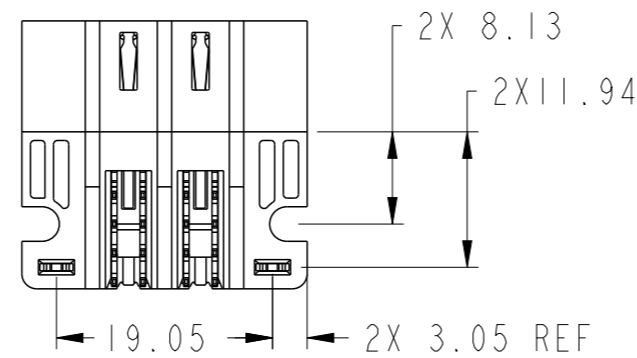
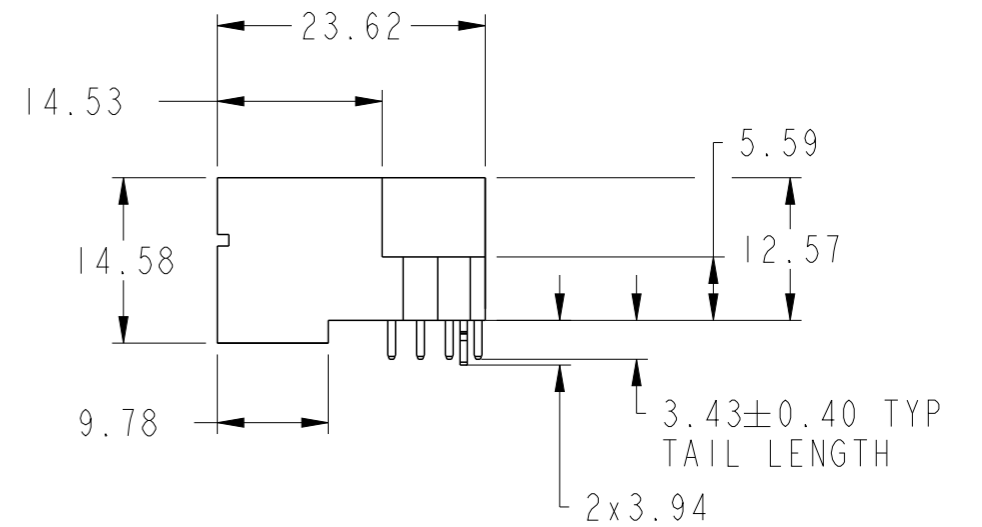
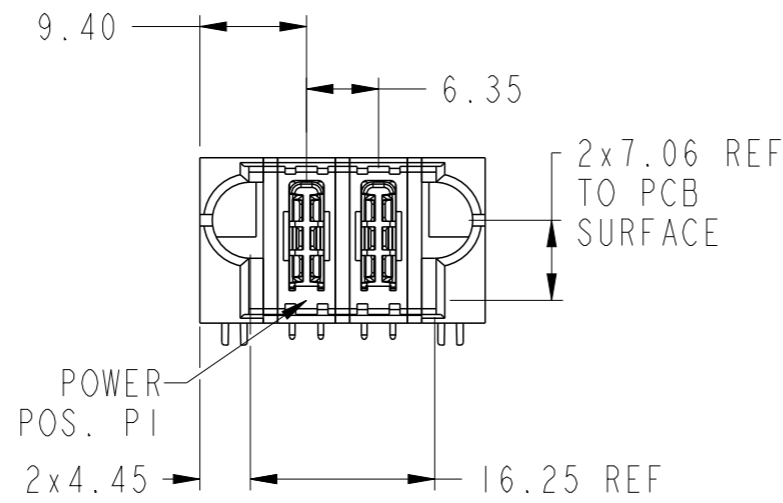
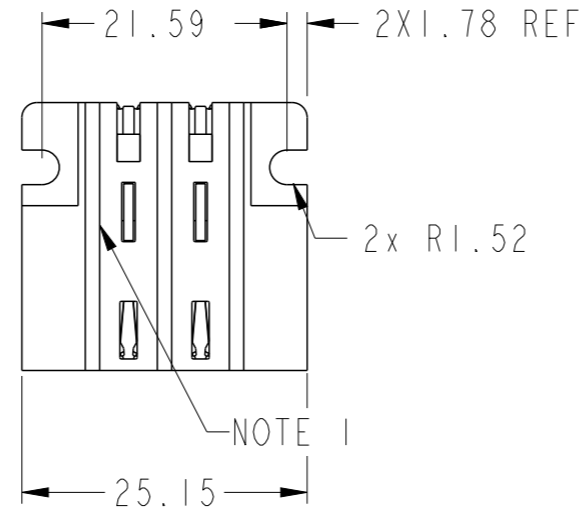
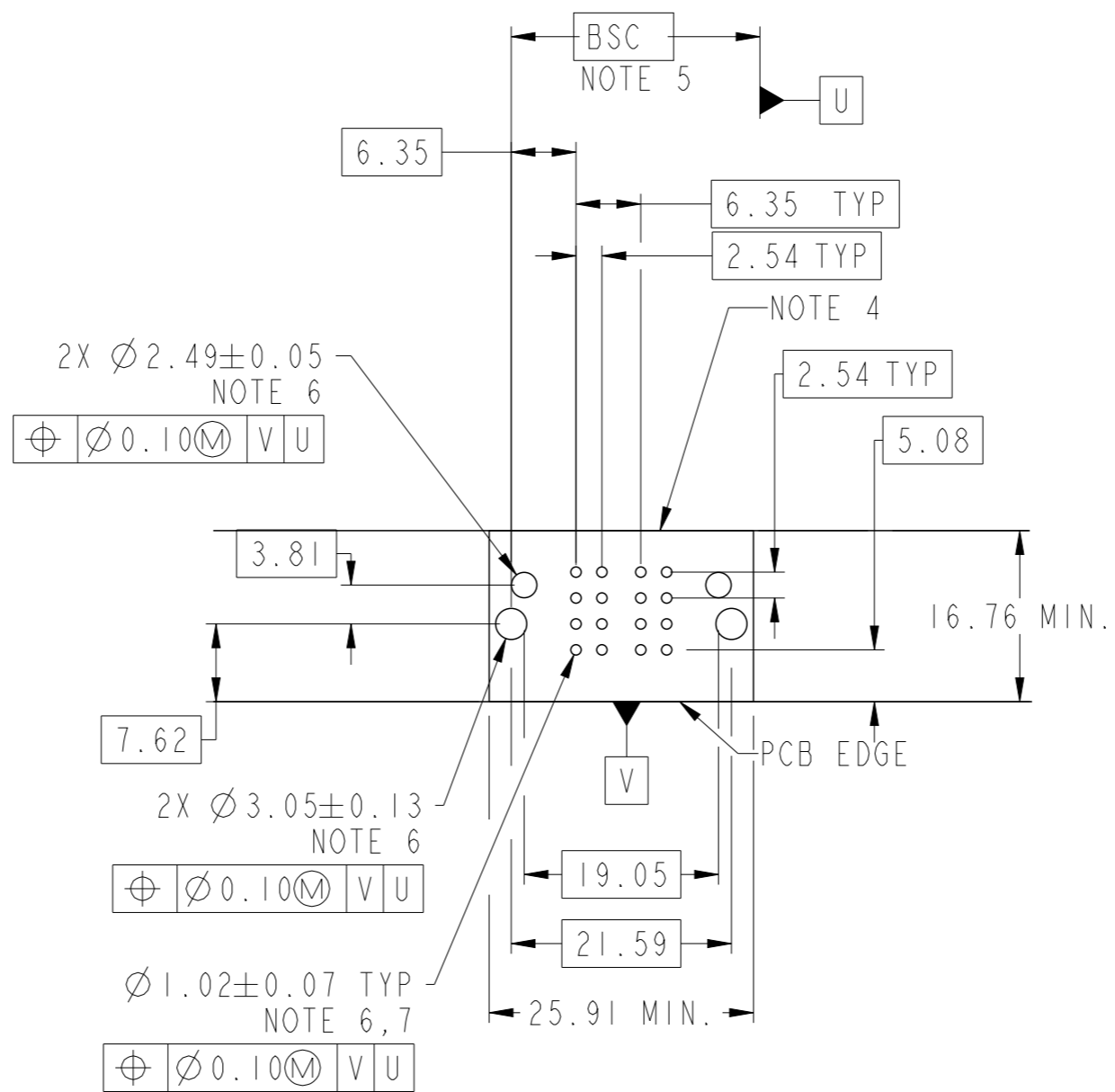


PRODUCT NUMBER SEE SHEET 2



spec ref	*	dr	Vicking Liu	2016/09/09	projection	MM	size	A3	scale	3:2
tolerance std	ISO 406 ISO 1101	eng	Vicking Liu	2016/11/11			ecn no	ELX-DG-25309-1		
TOLERANCES UNLESS OTHERWISE SPECIFIED		chr	Fancy Zhang	2016/11/11			product family	PwrBlade+	rel level	Released
surface	linear	0.X	±0.5		part no		2HP		dwg no 10106124-2000003	rev B
		0.XX	±0.25		RA STB PLUG					
		0.XXX	±0.10		cat. no.					
ISO 1302	angular	0°	±2°	Product - Customer Drw		sheet 1 of 3				

PRODUCT NO.	ROWS	HP			
		E1	P1	P2	E2
10106124-2000003LF	DCBA				



Amphenol
FCi

© 2016 AFCI

CODE	DESCRIPTION
HI	STD HIGH POWER CONTACT (3.43)
HA	METAL HOLD DOWN

spec ref	*	dr	Vicking Liu	2016/09/09	projection	MM	size	A3	scale	3:2	
tolerance std	ISO 406 ISO 1101	eng	Vicking Liu	2016/11/11		← →	ecn no	ELX-DG-25309-1			
TOLERANCES UNLESS OTHERWISE SPECIFIED		chr	Fancy Zhang	2016/11/11			product family	PwrBlade+	rel level	Released	
surface	linear	appr	Pei-Ming Zheng	2016/11/11	Amphenol FCi		2HP	dwg no	10106124-2000003	rev	B
ISO 1302	angular				RA STB PLUG		cat. no.	Product - Customer Drw		sheet 2 of 3	

A

B

C

D

A

B

C

D

NOTES:

- 1) PRODUCT MARK:
PART NUMBER AND DATE CODE TO BE MARKED ON THIS SURFACE .
THE MARK CAN BE OMITTED IF THERE IS NOT ENOUGH SPACE ON THIS SURFACE.
- 2) MATERIALS:
-HOUSING : HIGH TEMP THERMOPLASTIC WITH GLASS FIBER, UL94V-0, BLACK.
-POWER CONTACT : HIGH CONDUCTIVITY COPPER ALLOY.
-SIGNAL CONTACT : COPPER ALLOY.
- 3) PLATING SPECIFICATION : 10116351
- 4) DENOTES CONNECTOR KEEP OUT ZONE.
- 5) DATUM AND BASIC DIMENIONS ARE ESTABLISHED BY CUSTOMER.
- 6) ALL HOLE DIAMETERS ARE FINISHED HOLE SIZES.
- 7) 1.15+/-0.025MM DRILLED HOLE PLATED WITH 0.00762MM MIN SN
OVER 0.0254-0.0762MM CU PLATING TO ACHIEVE A 1.02+/-0.07MM HOLE.
- 8) THE HOUSING WILL WITHSTAND EXPOSURE TO 265 °C PEAK TEMPERATURE
FOR 10 SECONDS IN A WAVE SOLDER APPLICATION
- 9) THIS PRODUCT MEETS EUROPEAN UNION DIRECTIVES AND OTHER COUNTRY
REGULATIONS AS DESCRIBED IN GS-47-0004.
- 10) PRODUCT SPECIFICATION : GS-12-658.
APPLICATION SPECIFICATION : GS-20-141.
PRODUCT PACKAGE SPECIFICATION: GS-14-1502.

Amphenol
FCi

© 2016 AFCI

spec ref *		dr	Vicking Liu	2016/09/09	projection	MM	size	A3	scale	3:2
tolerance std		eng	Vicking Liu	2016/11/11		← →	ecn no		ELX-DG-25309-1	
ISO 406 ISO 1101		chr	Fancy Zhang	2016/11/11			product family		PwrBlade+	
surface	linear	0.X	±0.5	Amphenol FCi	2HP	RA STB PLUG	dwg no	10106124-2000003	rev	B
		0.XX	±0.25							
0.XXX	±0.10									
ISO 1302	angular	0°	±2°	cat. no.	Product - Customer Drw		sheet 3 of 3			