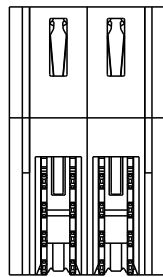
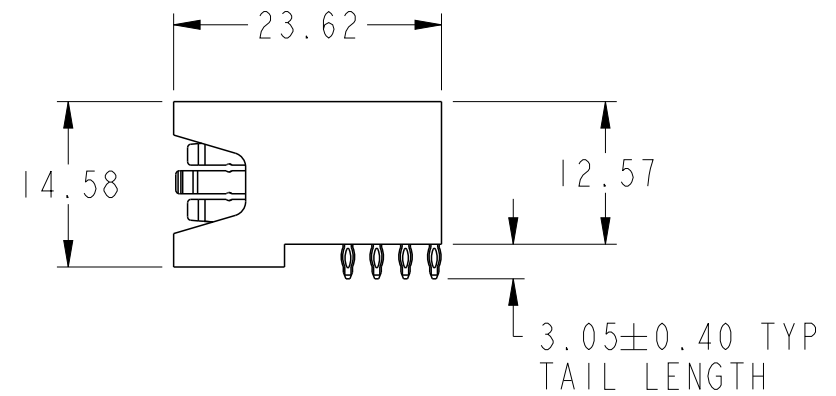
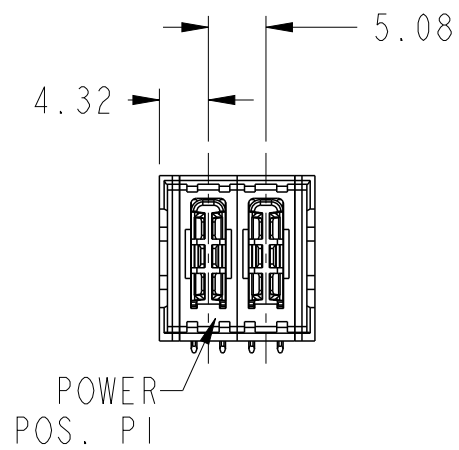
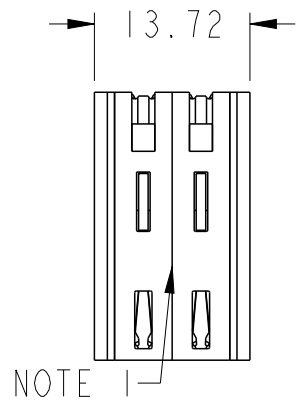
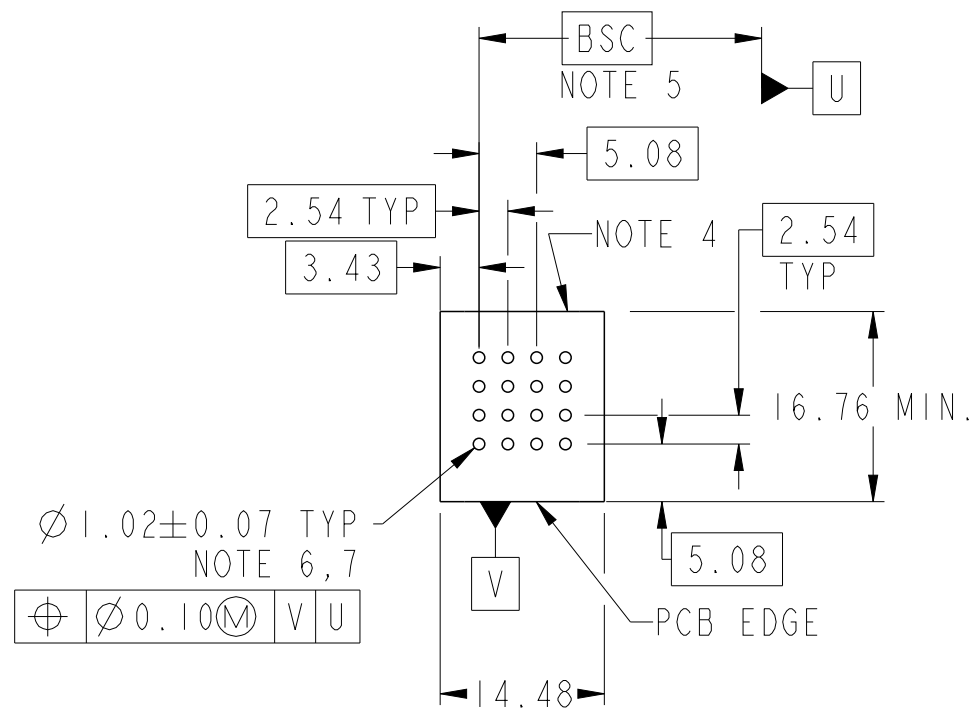


PRODUCT NUMBER SEE SHEET 2



spec ref	*	dr	Vicking Liu	2016/04/29	projection	MM	size	A3	scale	3:2
tolerance std	ASME Y14.5	eng	Vicking Liu	2016/06/21			ecn no	-	rel level	Released
TOLERANCES UNLESS OTHERWISE SPECIFIED		chr	Fancy Zhang	2016/06/21			product family	PwrBlade+		
surface	linear	appr	Pei-Ming Zheng	2016/06/21			dwg no	10106133-2000A02	rev	A
ASME Y14.5	angular			cat. no.	Product - Customer Drw			sheet 1 of 3		
	0.X	±0.5								
	0.XX	±0.25								
	0.XXX	±0.10								
	0°	±2°								

PRODUCT NO.	ROWS	HP			
		E1	P1	P2	E2
10106133-2000A02LF	DCBA	HE HE			



⊕	Ø 0.10 (M)	V	U
---	------------	---	---

CODE	DESCRIPTION
HE	STD HIGH POWER CONTACT (3.05)

spec ref	*	dr	Vicking Liu	2016/04/29	projection	MM	size	A3	scale	3:2
tolerance std	ASME Y14.5	eng	Vicking Liu	2016/06/21			ecn no		rel level	
TOLERANCES UNLESS OTHERWISE SPECIFIED		chr	Fancy Zhang	2016/06/21			-		Released	
surface	linear	appr	Pei-Ming Zheng	2016/06/21	product family	PwrBlade+	rev		A	
	0.X	±0.5	Amphenol FCI 2HP RA PF PLUG cat. no.			dwg no		10106133-2000A02		sheet 2 of 3 Product - Customer Drw
	0.XX	±0.25				rel level		Released		
	0.XXX	±0.10				rel level		Released		
ASME Y14.5	angular	0°	±2°							

Amphenol FCI

© 2016 AFCI

NOTES:

- 1) "FCI", PART NUMBER AND DATE CODE TO BE MARKED ON THIS SURFACE.
THE MARK CAN BE OMITTED IF THERE IS NOT ENOUGH SPACE ON THIS SURFACE.
- 2) MATERIALS:
-HOUSING - GLASS FILLED WITH HIGH TEMP THERMOPLASTIC(LOW HALOGEN), UL94V-0.
-SIGNAL CONTACT - COPPER ALLOY.
-POWER CONTACT - HIGH CONDUCTIVITY COPPER ALLOY.
- 3) PLATING SPECIFICATION REFER TO FCI 10116351
- 4) DENOTES CONNECTOR KEEP OUT ZONE.
- 5) DATUM AND BASIC DIMENIONS WERE ESTABLISHED BY CUSTOMER.
- 6) ALL HOLE DIAMETERS ARE FINISHED HOLE SIZES.
- 7) 1.15±0.025MM DRILLED HOLE PLATED WITH 0.00762MM MIN Sn
OVER 0.0254-0.0762MM Cu PLATING TO ACHIEVE A 1.02±0.07MM HOLE.
- 8) PRODUCT SPECIFICATION REFER TO FCI GS-12-658.
APPLICATION SPECIFICATION REFER TO FCI GS-20-141.
PRODUCT PACKAGED IN TRAYS, REFER TO FCI GS-14-1502.

Amphenol
FCi

© 2016 AFCI

spec ref *		dr	Vicking Liu	2016/04/29	projection	MM	size	A3	scale	3:2
tolerance std	ASME Y14.5	TOLERANCES UNLESS OTHERWISE SPECIFIED					ecn no	-	rel level	Released
ASME Y14.5		eng	Vicking Liu	2016/06/21						
surface	linear	0.X	±0.5		2HP RA PF PLUG	cat. no.	Product - Customer Drw	sheet 3 of 3	rev A	
		0.XX	±0.25							
ASME Y14.5	angular	0°	±2°							