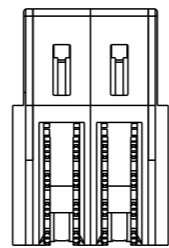
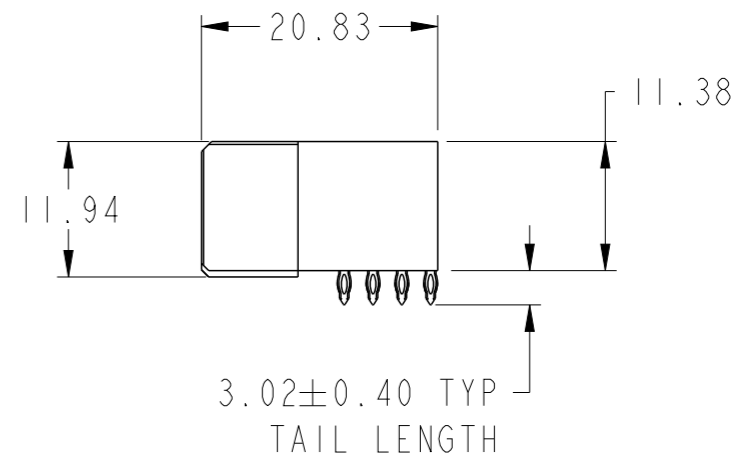
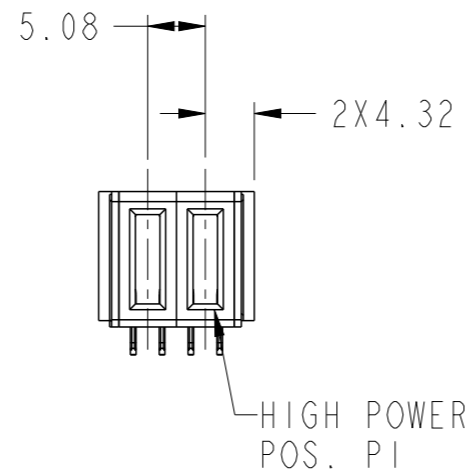
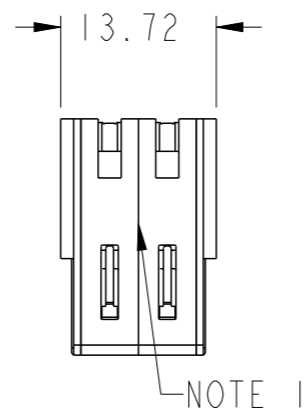


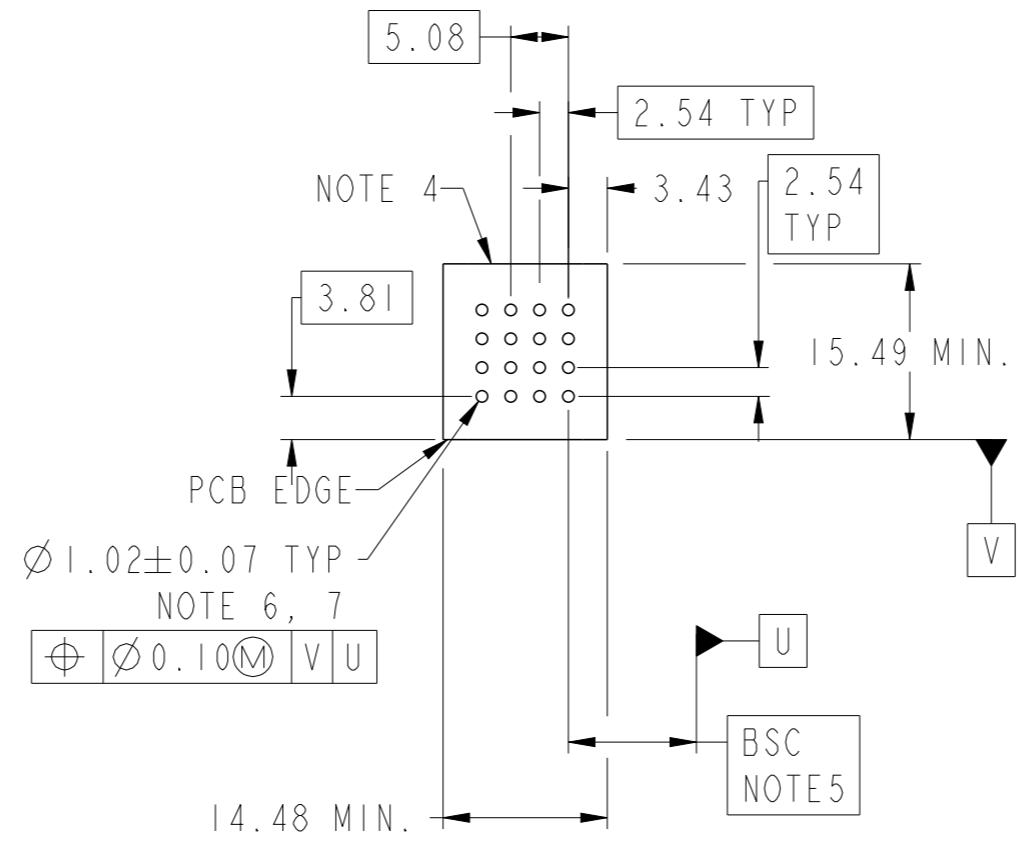
PRODUCT NUMBER SEE SHEET 2



spec ref	*	dr	Peng-Bing Fu	2013/03/28	projection	MM	size	A3	scale	3:2		
tolerance std	ASME Y14.5	TOLERANCES UNLESS OTHERWISE SPECIFIED	eng	Xie Bob	2013/07/26		ecn no	-	rel level	Released		
surface	✓	linear	chr	Li-He	2013/07/26							
ASME Y14.5	angular	0°	±2°	appr	Pei-Ming Zheng	2013/07/28	product family	PwrBlade+	rel level	Released		
		0.X	±0.5			title	2HDP		dwg no	10106135-2000002	rev	A
		0.XX	±0.25	www.fci.com		cat. no.	Product - Customer Drw		sheet 1 of 3			
		0.XXX	±0.10									

PRODUCT NO.	ROWS	HP			
		E1	P2	P1	E2
10106135-2000002LF	D C B A				

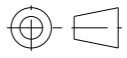
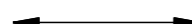

CODE	DESCRIPTION
H7	STD HIGH POWER CONTACT(3.02)



dr	Peng-Bing Fu	2013/03/28	projection	MM	size	A3	scale	3:2
eng	Xie Bob	2013/07/26			ecn no		-	
chr	Li-He	2013/07/26			rel level		Released	
appr	Pei-Ming Zheng	2013/07/28	product family	PwrBlade+				
			title 2HDP RA PF RECEPTACLE		dwg no 10106135-2000002		rev A	
www.fci.com			cat. no.		Product - Customer Drw		sheet 2 of 3	

NOTES:

- 1) "FCI", PART NUMBER AND DATE CODE TO BE MARKED ON THIS SURFACE.
THE MARK CAN BE OMITTED IF THERE IS NOT ENOUGH SPACE ON THIS SURFACE.
- 2) MATERIALS:
-HOUSING - GLASS FILLED WITH HIGH TEMP THERMOPLASTIC, UL94V-0.
-SIGNAL CONTACT - COPPER ALLOY.
-POWER CONTACT - HIGH CONDUCTIVITY COPPER ALLOY.
- 3) PLATING SPECIFICATION REFER TO FCI 10116351
- 4) DENOTES CONNECTOR KEEP OUT ZONE.
- 5) DATUM AND BASIC DIMENIONS WERE ESTABLISHED BY CUSTOMER.
- 6) ALL HOLE DIAMETERS ARE FINISHED HOLE SIZES.
- 7) 1.15 ± 0.025 MM DRILLED HOLE PLATED WITH 0.00762MM MIN Sn
OVER 0.0254-0.0762MM Cu PLATING TO ACHIEVE A 1.02 ± 0.07 MM HOLE.
- 8) PRODUCT SPECIFICATION REFER TO FCI GS-12-658.
APPLICATION SPECIFICATION REFER TO FCI GS-20-141.
PRODUCT PACKAGED IN TRAYS, REFER TO FCI GS-14-1502.
- 9) THE VOID CORING IN BETWEEN POWER MODULES, SIGNAL
MODULES AND END MODULES ARE OPTIONAL AND THE SHAPE
MAY BE DIFFERENT FOR OPTIMIZE THE MOLDING PROCESS. THE
VOID CORING WILL NOT EFFECT TO PRODUCT FUNCTION.

dr	Peng-Bing Fu	2013/03/28	projection 	MM 	size	A3	scale	3:2
eng	Xie Bob	2013/07/28			ecn no	-		
chr	Li-He	2013/07/26			product family	PwrBlade+	rel level	Released
appr	Pei-Ming Zheng	2013/07/28						
		title 2HDP RA PF RECEPTACLE	dwg no 10106135-2000002	rev A				
www.fci.com		cat. no.	Product - Customer Drw		sheet 3 of 3			

