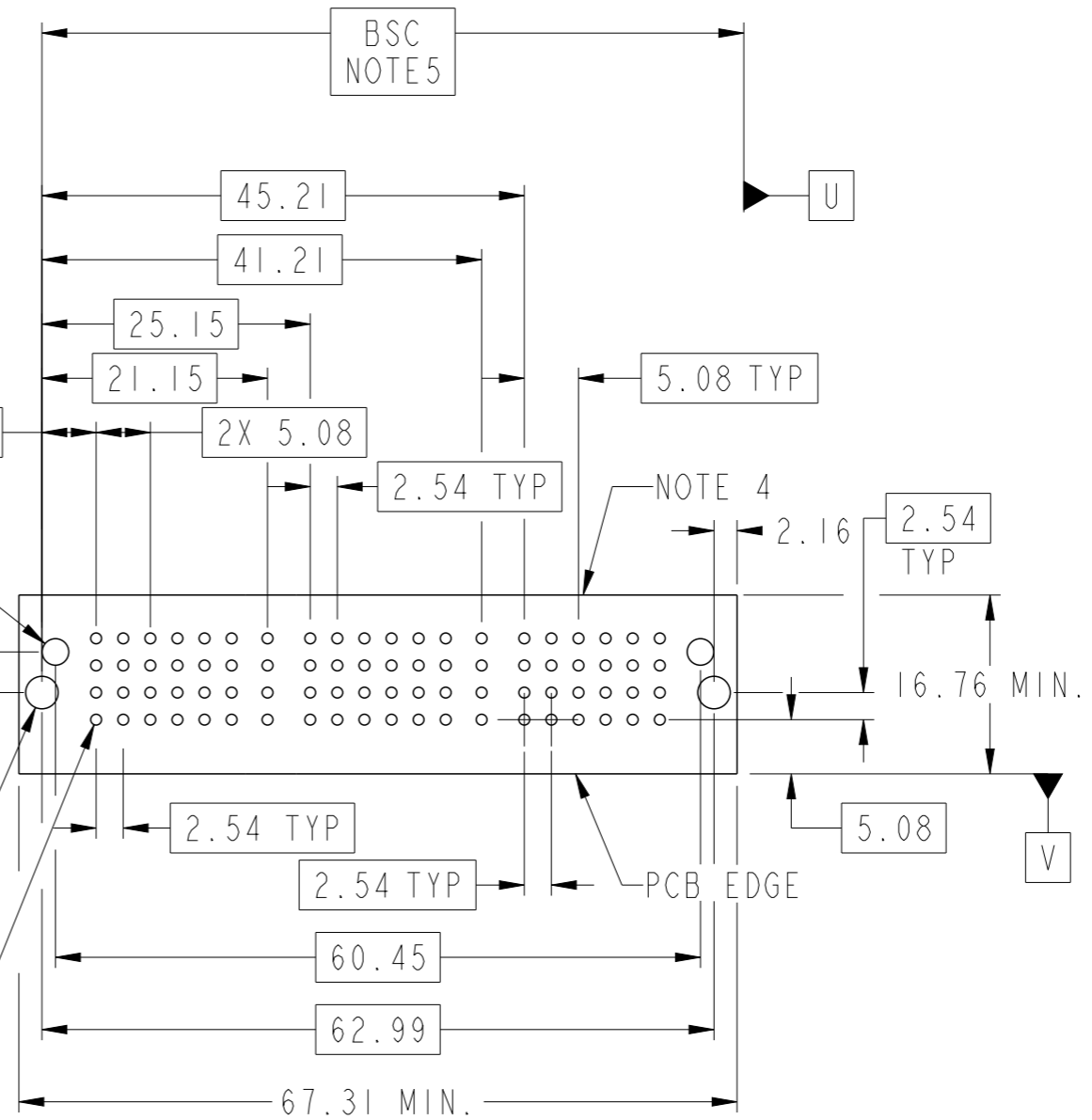


PRODUCT NO.	ROWS	HP			LP	SIGNAL						LP	HP				
		E1	P1	P2	P3	LP1	1	2	3	4	5	6	LP2	P4	P5	P6	E2
10106262-6206007LF	DCBA	H1 H1 H1			LJ	U	U	U	U	U	U	U	LK	H1 H1 H1			
						T	G	T	T	T	T						
						S	S	S	S	S	S						
						E	R	E	R	R	R						



- 2X $\varnothing 2.49 \pm 0.05$ NOTE 6
 $\varnothing 0.10 \text{ (M)}$ V U
- 3.81
- 7.62
- 2X $\varnothing 3.05 \pm 0.13$ NOTE 6
 $\varnothing 0.10 \text{ (M)}$ V U
- $\varnothing 1.02 \pm 0.07$ TYP NOTE 6,7
 $\varnothing 0.10 \text{ (M)}$ V U

CODE	DESCRIPTION
G	MLBF SIGNAL CONTACT, ROW C
E	MLBF SIGNAL CONTACT, ROW A
HI	STD HIGH POWER CONTACT
HA	METAL HOLD DOWN
LJ	MFBL LOW POWER CONTACT
LK	STD LOW POWER CONTACT
R	STD SIGNAL CONTACT, ROW A
S	STD SIGNAL CONTACT, ROW B
T	STD SIGNAL CONTACT, ROW C
U	STD SIGNAL CONTACT, ROW D

spec ref	*	dr	Rainbow Zhan	2016/04/29	projection	MM	size	A3	scale	3:2
tolerance std	ASME Y14.5	eng	Rainbow Zhan	2016/05/11			ecn no		rel level	
TOLERANCES UNLESS OTHERWISE SPECIFIED		chr	Fancy Zhang	2016/05/11			-		Released	
surface	linear	appr	Pei-Ming Zheng	2016/05/11	product family		PwrBlade+		rel level	
	0.X	Amphenol FCI		3HDP+1LP+24S+1LP+3HDP		dwg no	10106262-6206007		rev	
	0.XX	www.fci.com		RA STB PLUG				A		
	0.XXX	cat. no.		Product - Customer Drw		sheet 2 of 3				
	angular									
	0°									
	±0.5									
	±0.25									
	±0.10									
	±2°									

Amphenol FCI

© 2016 AFCI

NOTES:

- 1) "FCI", PART NUMBER AND DATE CODE TO BE MARKED ON THIS SURFACE.
THE MARK CAN BE OMITTED IF THERE IS NOT ENOUGH SPACE ON THIS SURFACE.
- 2) MATERIALS:
-HOUSING - GLASS FILLED WITH HIGH TEMP THERMOPLASTIC, UL94V-0.
-SIGNAL CONTACT - COPPER ALLOY.
-POWER CONTACT - HIGH CONDUCTIVITY COPPER ALLOY.
- 3) PLATING SPECIFICATION REFER TO FCI 10116351
- 4) DENOTES CONNECTOR KEEP OUT ZONE.
- 5) DATUM AND BASIC DIMENIONS WERE ESTABLISHED BY CUSTOMER.
- 6) ALL HOLE DIAMETERS ARE FINISHED HOLE SIZES.
- 7) 1.15±0.025MM DRILLED HOLE PLATED WITH 0.00762MM MIN Sn
OVER 0.0254-0.0762MM Cu PLATING TO ACHIEVE A 1.02±0.07MM HOLE.
- 8) PRODUCT SPECIFICATION REFER TO FCI GS-12-658.
APPLICATION SPECIFICATION REFER TO FCI GS-20-141.
PRODUCT PACKAGED IN TRAYS, REFER TO FCI GS-14-1502.

Amphenol
FCi

© 2016 AFCI

spec ref *		dr	Rainbow Zhan	2016/04/29	projection	MM	size	A3	scale	3:2	
tolerance std	TOLERANCES UNLESS OTHERWISE SPECIFIED	eng	Rainbow Zhan	2016/05/11		← →	ecn no		-		
ASME Y14.5		chr	Fancy Zhang	2016/05/11			rel level		Released		
surface		linear	appr	Pei-Ming Zheng	2016/05/11	product family	PwrBlade+	rel level		Released	
ASME Y14.5	angular	www.fci.com		cat. no.	3HDP+1LP+24S+1LP+3HDP RA STB PLUG		dwg no	10106262-6206007		rev	A
		Product - Customer Drw			sheet 3 of 3						