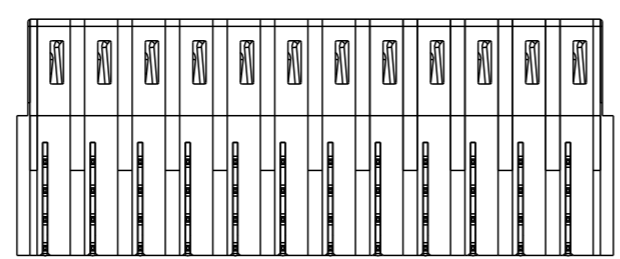
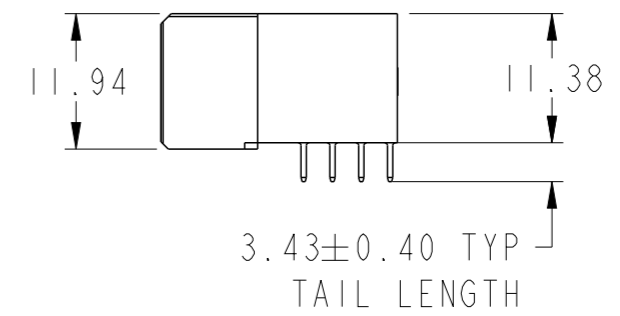
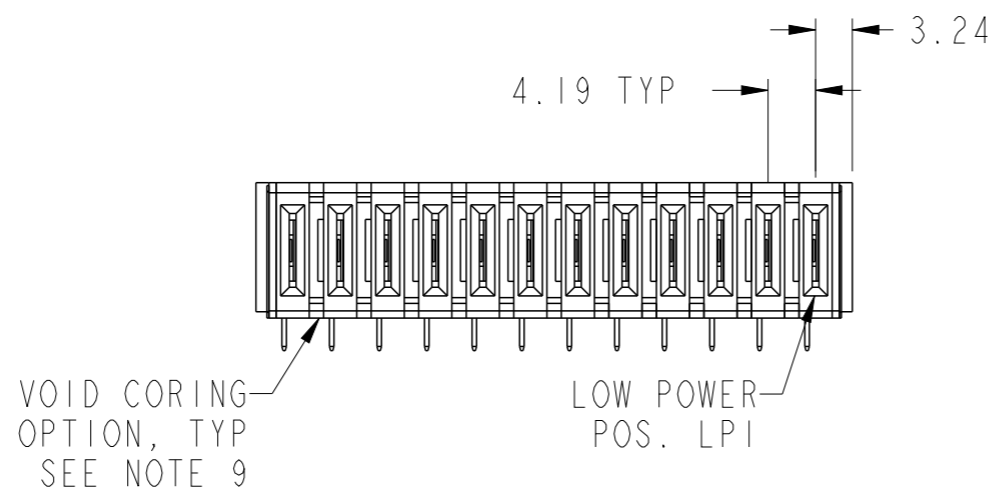
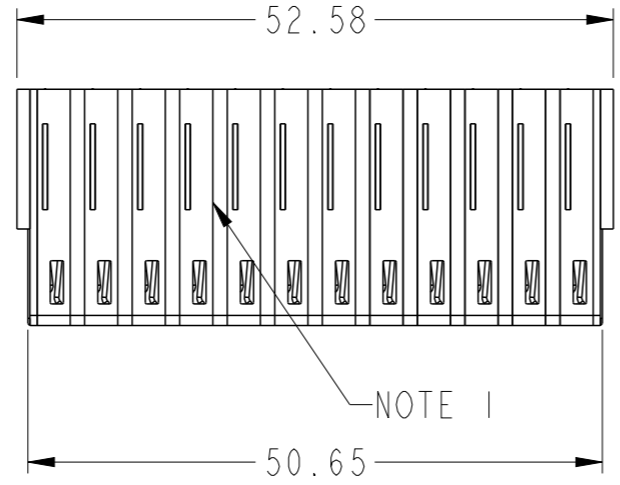


PRODUCT NUMBER SEE SHEET 2

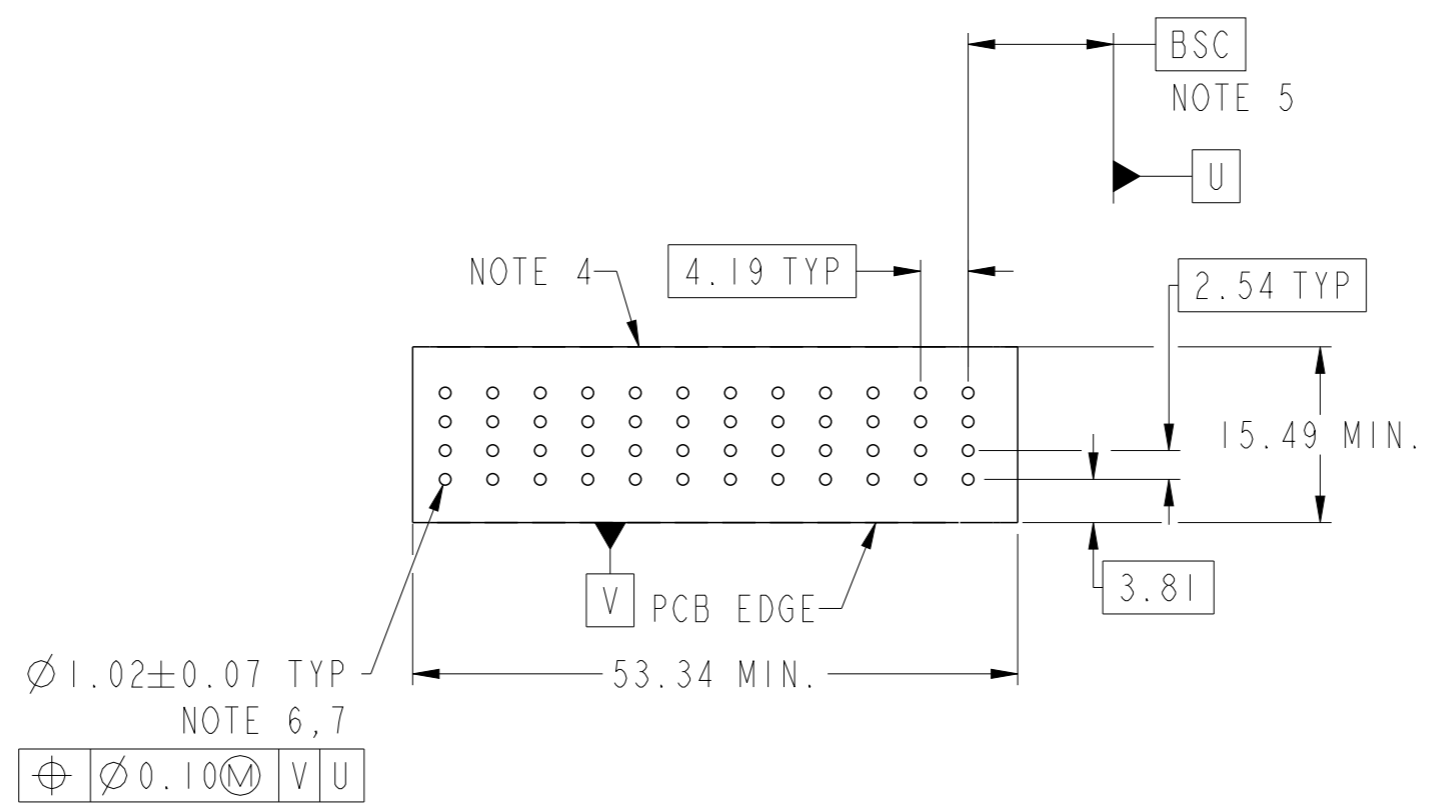


Copyright FCI.

spec ref	*	dr	Rainbow Zhan	2015/11/23	projection	MM	size	A3	scale	3:2
tolerance std	ASME Y14.5	eng	Rainbow Zhan	2015/12/25			ecn no		rel level	
TOLERANCES UNLESS OTHERWISE SPECIFIED		chr	Fancy Zhang	2015/12/25			-		Released	
surface	✓	appr	Pei-Ming Zheng	2015/12/25	product family		PwrBlade+		rev	
ASME Y14.5	linear			title		12LP		dwg no		10106264-0C00001
	angular	www.fci.com		RA STB RECEPTACLE		cat. no.		Product - Customer Drw		sheet 1 of 3
		0.X	±0.5							A
		0.XX	±0.25							
		0.XXX	±0.10							
		0°	±2°							

PRODUCT NO.	ROWS	LOW POWER													
		E1	P12	P11	P10	P9	P8	P7	P6	P5	P4	P3	P2	P1	E2
10106264-0C00001LF	D C B A	LR	LR	LR	LR	LR	LR	LR	LR	LR	LR	LR	LR	LR	

CODE	DESCRIPTION
LR	STD LOW POWER CONTACT(3.43)



Copyright FCI.

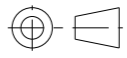
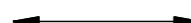

dr	Rainbow Zhan	2015/11/23	projection ⊕ ⊞	MM ← →	size	A3	scale	3:2		
eng	Rainbow Zhan	2015/12/25			ecn no	-				
chr	Fancy Zhang	2015/12/25			rel level	Released				
appr	Pei-Ming Zheng	2015/12/25	product family	PwrBlade+						
www.fci.com		title	12LP RA STB RECEPTACLE		cat. no.	Product - Customer Drw	dwg no	10106264-0C00001	rev	A
						sheet 2 of 3				

NOTES:

- 1) "FCI", PART NUMBER AND DATE CODE TO BE MARKED ON THIS SURFACE.
THE MARK CAN BE OMITTED IF THERE IS NOT ENOUGH SPACE ON THIS SURFACE.
- 2) MATERIALS:
-HOUSING - GLASS FILLED WITH HIGH TEMP THERMOPLASTIC, UL94V-0.
-SIGNAL CONTACT - COPPER ALLOY.
-POWER CONTACT - HIGH CONDUCTIVITY COPPER ALLOY.
- 3) PLATING SPECIFICATION REFER TO FCI 10116351
- 4) DENOTES CONNECTOR KEEP OUT ZONE.
- 5) DATUM AND BASIC DIMENIONS WERE ESTABLISHED BY CUSTOMER.
- 6) ALL HOLE DIAMETERS ARE FINISHED HOLE SIZES.
- 7) 1.15 ± 0.025 MM DRILLED HOLE PLATED WITH 0.00762MM MIN Sn
OVER 0.0254-0.0762MM Cu PLATING TO ACHIEVE A 1.02 ± 0.07 MM HOLE.
COPPER PAD SIZE DIAMETER 1.52MM~1.67MM KEEPS PCB MINIMUM CREEPAGE
DISTANCE 2.50MM IN 4.19MM TAIL PITCH.
- 8) PRODUCT SPECIFICATION REFER TO FCI GS-12-658.
APPLICATION SPECIFICATION REFER TO FCI GS-20-141.
PRODUCT PACKAGED IN TRAYS, REFER TO FCI GS-14-1502.
- 9) THE VOID CORING IN BETWEEN POWER MODULES, SIGNAL
MODULES AND END MODULES ARE OPTIONAL AND THE SHAPE
MAY BE DIFFERENT FOR OPTIMIZE THE MOLDING PROCESS. THE
VOID CORING WILL NOT EFFECT TO PRODUCT FUNCTION.



Copyright FCI.

dr	Rainbow Zhan	2015/11/23	projection 	MM 	size	A3	scale	3:2
eng	Rainbow Zhan	2015/12/25			ecn no	-		
chr	Fancy Zhang	2015/12/25			product family	PwrBlade+	rel level	Released
appr	Pei-Ming Zheng	2015/12/25						
		title 12LP RA STB RECEPTACLE		dwg no 10106264-0C00001	rev A			
www.fci.com		cat. no.	Product - Customer Drw		sheet 3 of 3			