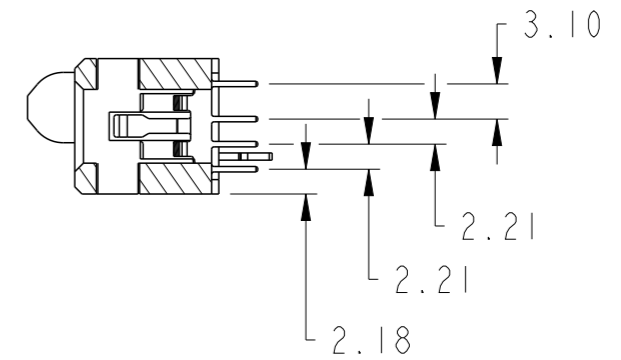
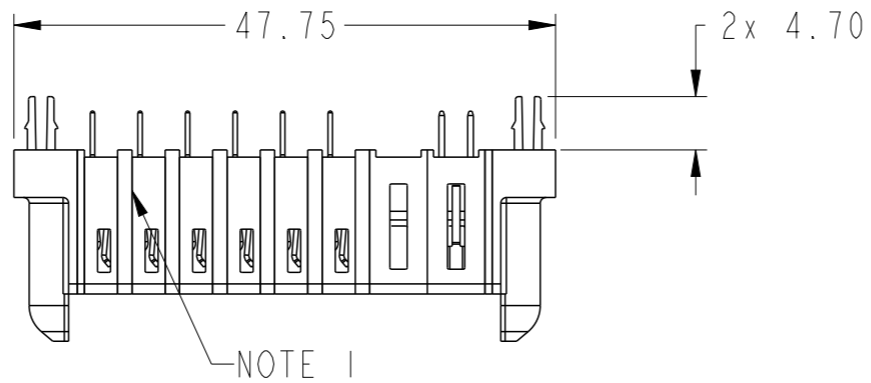
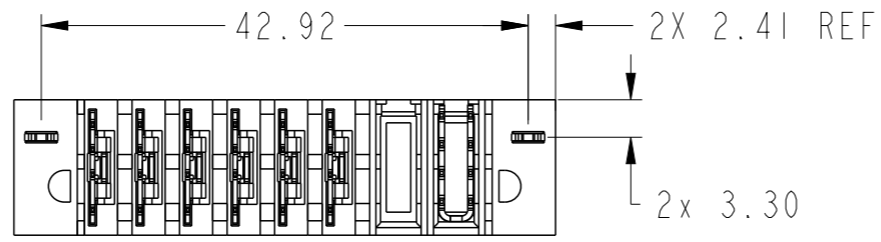
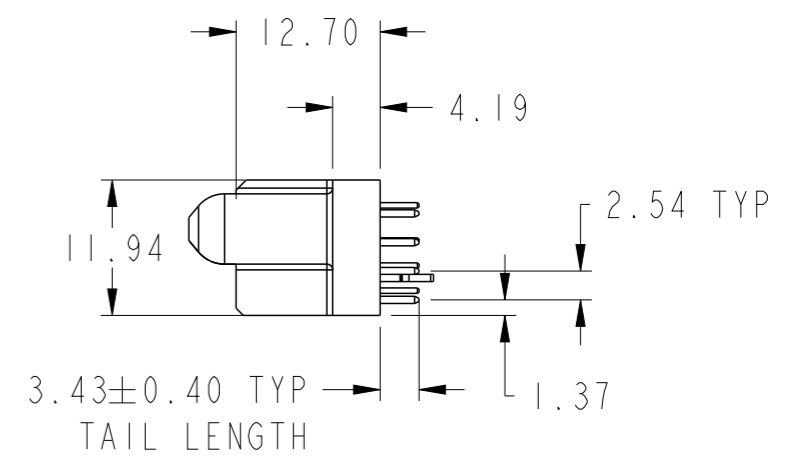
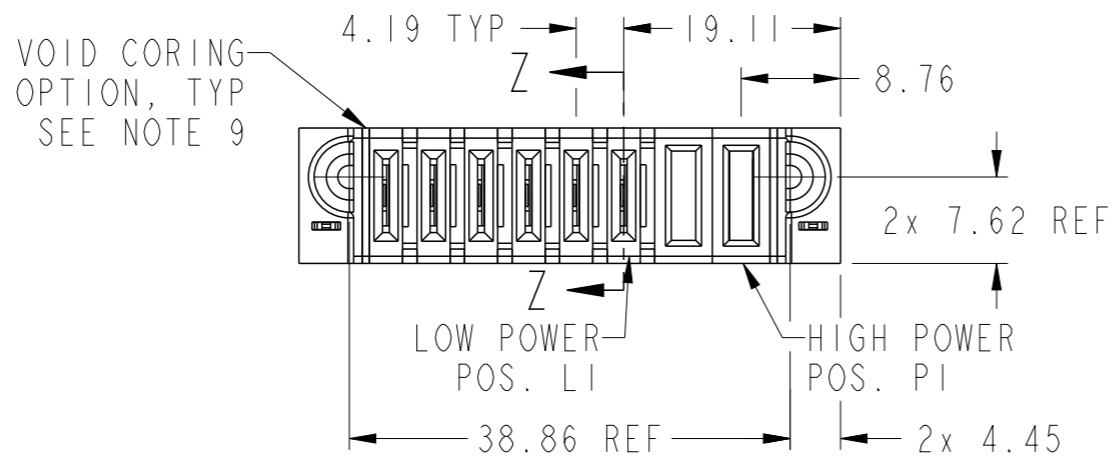


PRODUCT NUMBER SEE SHEET 2



SECTION Z-Z

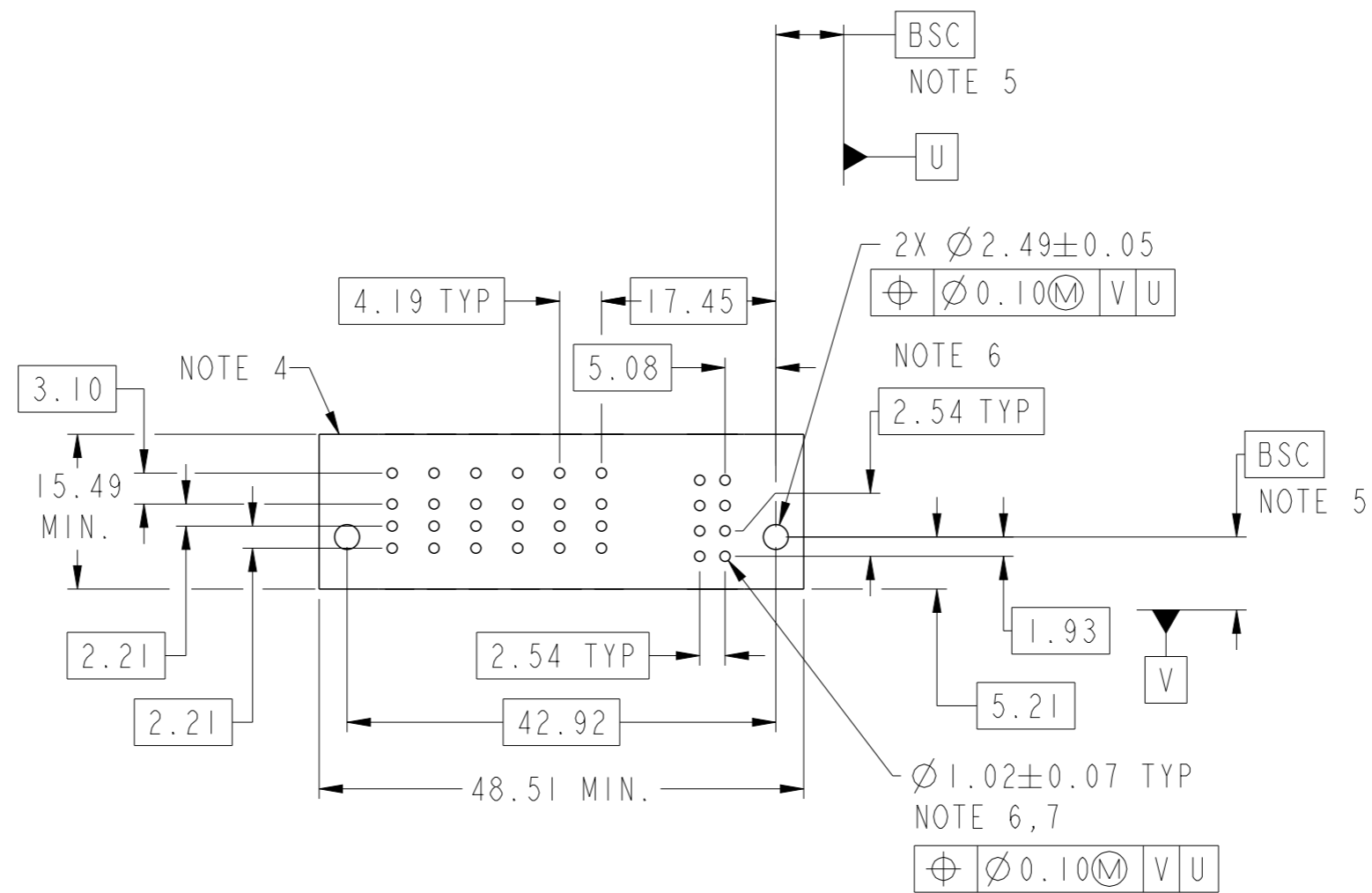


spec ref		dr	Rainbow Zhan	2016/05/30	projection	MM	size	A3	scale	3:2	
tolerance std		eng	Rainbow Zhan	2016/09/05			ecn no		-		
ASME Y14.5		chr	Fancy Zhang	2016/09/05			rel level		Released		
TOLERANCES UNLESS OTHERWISE SPECIFIED		appr	Pei-Ming Zheng	2016/09/05	product family		PowerBlade+				
surface	linear	0.X		±0.50		2HDP + 6LP		dwg no 10106268-2600001	rev		A
		0.XX		±0.25		VT STB RECEPTACLE					
ASME Y14.5		angular	0°		±2°	www.fci.com		cat. no.	Product - Customer Drw		sheet 1 of 3

Amphenol FCI
 © 2016 AFCI

PRODUCT NO.	ROWS	LOW POWER						HP		E2	
		E1	P8	P7	P6	P5	P4	P3	P2		P1
10106268-2600001LF	D C B A	HA	LR	LR	LR	LR	LR	LR	X	H3	HA

CODE	DESCRIPTION
H3	STD HIGH POWER CONTACT (3.43)
HA	METAL HOLD DOWN
LR	STD LOW POWER CONTACT (3.43)
X	OMITTED



spec ref	dr	2016/05/30	projection	MM	size	A3	scale	3:2
tolerance std	eng	2016/09/05			ecn no	-	rel level	Released
ASME Y14.5	chr	2016/09/05						
surface	linear	0.X	±0.50		2HDP + 6LP VT STB RECEPTACLE	dwg no 10106268-2600001	rev A	
		0.XX	±0.25					
ASME Y14.5	angular	0°	±2°	www.fci.com	cat. no.	Product - Customer Drw	sheet 2 of 3	

Amphenol FCI

© 2016 AFCI

A

B

C

D

A

B

C

D

NOTES:

- 1) PRODUCT MARK:
PART NUMBER AND DATE CODE TO BE MARKED ON THIS SURFACE .
THE MARK CAN BE OMITTED IF THERE IS NOT ENOUGH SPACE ON THIS SURFACE.
- 2) MATERIALS:
-HOUSING : HIGH TEMP THERMOPLASTIC WITH GLASS FIBER, UL94V-0, BLACK.
-POWER CONTACT : HIGH CONDUCTIVITY COPPER ALLOY.
-SIGNAL CONTACT : COPPER ALLOY.
- 3) PLATING SPECIFICATION : 10116351
- 4) DENOTES CONNECTOR KEEP OUT ZONE.
- 5) DATUM AND BASIC DIMENIONS ARE ESTABLISHED BY CUSTOMER.
- 6) ALL HOLE DIAMETERS ARE FINISHED HOLE SIZES.
- 7) 1.15+/-0.025MM DRILLED HOLE PLATED WITH 0.00762MM MIN SN
OVER 0.0254-0.0762MM CU PLATING TO ACHIEVE A 1.02+/-0.07MM HOLE.
- 8) THE HOUSING WILL WITHSTAND EXPOSURE TO 265 °C PEAK TEMPERATURE
FOR 10 SECONDS IN A WAVE SOLDER APPLICATION.
- 9) THE VOID CORING IN BETWEEN POWER MODULES, SIGNAL MODULES AND
END MODULES ARE OPTIONAL AND THE SHAPE MAY BE DIFFERENT FOR
OPTIMIZE THE MOLDING PROCESS. THE VOID CORING WILL NOT EFFECT
TO PRODUCT FUNCTION.
- 10) THIS PRODUCT MEETS EUROPEAN UNION DIRECTIVES AND OTHER COUNTRY
REGULATIONS AS DESCRIBED IN GS-47-0004.
- 11) PRODUCT SPECIFICATION : GS-12-658.
APPLICATION SPECIFICATION : GS-20-141.
PRODUCT PACKAGE SPECIFICATION: GS-14-1502.

Amphenol
FCi

© 2016 AFCI

spec ref		dr	2016/05/30	projection	MM	size	A3	scale	1:1
tolerance std	ASME Y14.5	TOLERANCES UNLESS OTHERWISE SPECIFIED	eng	2016/09/05		ecn no	-	rel level	Released
			chr	2016/09/05					
surface	linear	0.X	±0.50	Amphenol FCi	2HDP + 6LP	dwg no	10106268-2600001	rev	A
		0.XX	±0.25						
		0.XXX	±0.10						
ASME Y14.5	angular	0°	±2°	www.fci.com	cat. no.	Product - Customer Drw	sheet 3 of 3		