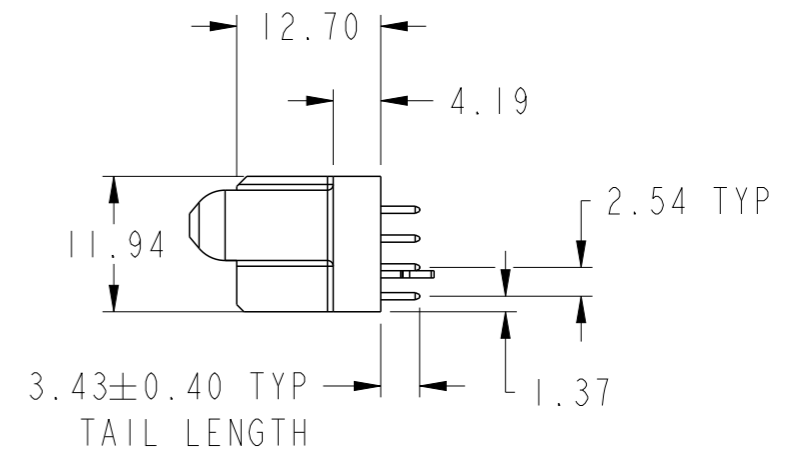
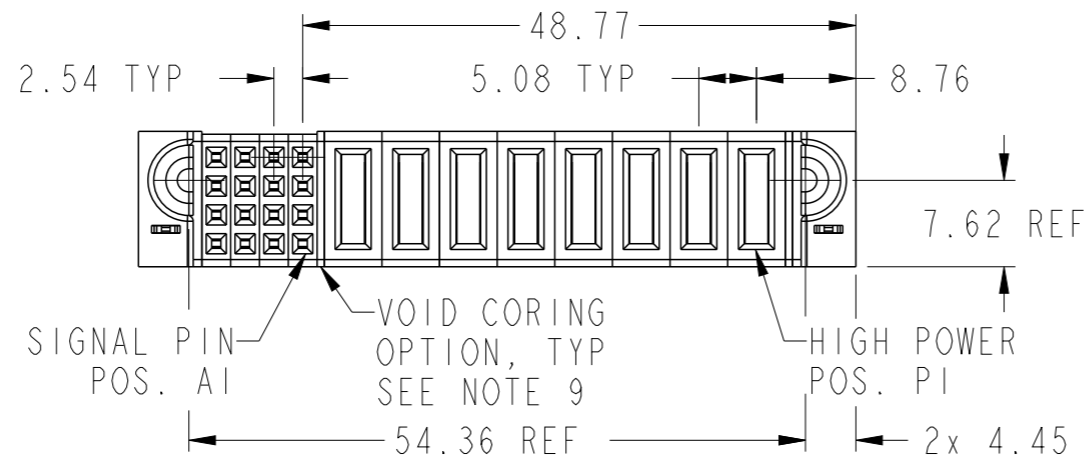
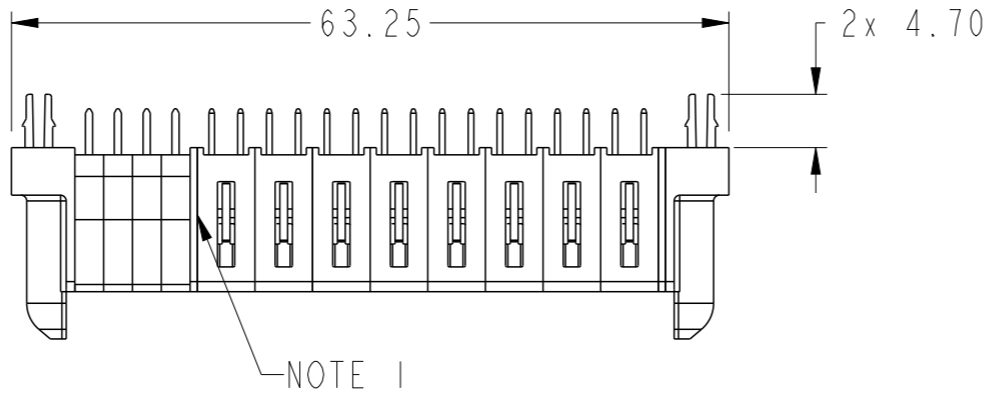
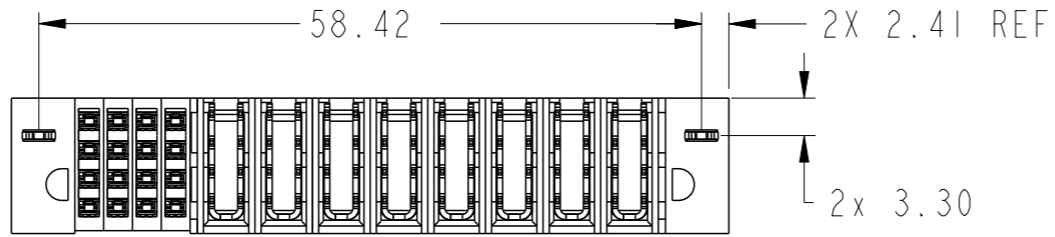


PRODUCT NUMBER SEE SHEET 2



Amphenol
FCi

© 2016 AFCI

spec ref		dr	Rainbow Zhan	2016/08/17	projection	MM	size	A3	scale	3:2
tolerance std		eng	Vicking Liu	2016/09/14			ecn no		-	
ASME Y14.5		chr	Fancy Zhang	2016/09/14			rel level		Released	
TOLERANCES UNLESS OTHERWISE SPECIFIED		appr	Pei-Ming Zheng	2016/09/14	product family		PowerBlade+			
surface	linear	0.X		±0.50	Amphenol FCI 8HDP + 16S VT STB RECEPTACLE		dwg no 10106268-8004004		rev A	
		0.XX		±0.25						
ASME Y14.5		angular	0°		www.fci.com	cat. no.		Product - Customer Drw		sheet 1 of 3
			0°		±2°					

A

B

C

D

A

B

C

D

NOTES:

- 1) PRODUCT MARK:
PART NUMBER AND DATE CODE TO BE MARKED ON THIS SURFACE .
THE MARK CAN BE OMITTED IF THERE IS NOT ENOUGH SPACE ON THIS SURFACE.
- 2) MATERIALS:
-HOUSING : HIGH TEMP THERMOPLASTIC WITH GLASS FIBER, UL94V-0, BLACK.
-POWER CONTACT : HIGH CONDUCTIVITY COPPER ALLOY.
-SIGNAL CONTACT : COPPER ALLOY.
- 3) PLATING SPECIFICATION : 10116351
- 4) DENOTES CONNECTOR KEEP OUT ZONE.
- 5) DATUM AND BASIC DIMENIONS ARE ESTABLISHED BY CUSTOMER.
- 6) ALL HOLE DIAMETERS ARE FINISHED HOLE SIZES.
- 7) 1.15+/-0.025MM DRILLED HOLE PLATED WITH 0.00762MM MIN SN
OVER 0.0254-0.0762MM CU PLATING TO ACHIEVE A 1.02+/-0.07MM HOLE.
- 8) THE HOUSING WILL WITHSTAND EXPOSURE TO 265 °C PEAK TEMPERATURE
FOR 10 SECONDS IN A WAVE SOLDER APPLICATION.
- 9) THE VOID CORING IN BETWEEN POWER MODULES, SIGNAL MODULES AND
END MODULES ARE OPTIONAL AND THE SHAPE MAY BE DIFFERENT FOR
OPTIMIZE THE MOLDING PROCESS. THE VOID CORING WILL NOT EFFECT
TO PRODUCT FUNCTION.
- 10) THIS PRODUCT MEETS EUROPEAN UNION DIRECTIVES AND OTHER COUNTRY
REGULATIONS AS DESCRIBED IN GS-47-0004.
- 11) PRODUCT SPECIFICATION : GS-12-658.
APPLICATION SPECIFICATION : GS-20-141.
PRODUCT PACKAGE SPECIFICATION: GS-14-1502.

Amphenol
FCi

© 2016 AFCI

spec ref		dr	Rainbow Zhan	2016/08/17	projection	MM	size	A3	scale	1:1		
tolerance std	TOLERANCES UNLESS OTHERWISE SPECIFIED	eng	Vicking Liu	2016/09/14		←→	ecn no	-	rel level	Released		
ASME Y14.5		chr	Fancy Zhang	2016/09/14								
		appr	Pei-Ming Zheng	2016/09/14	product family	PowerBlade+						
surface	linear	Amphenol FCi	8HDP + 16S		www.fci.com	cat. no.	Product - Customer Drw	sheet 3 of 3	rev	A		
ASME Y14.5			0.X	±0.50							dwg no	10106268-8004004
			0.XX	±0.25								
	angular	0°	±2°									