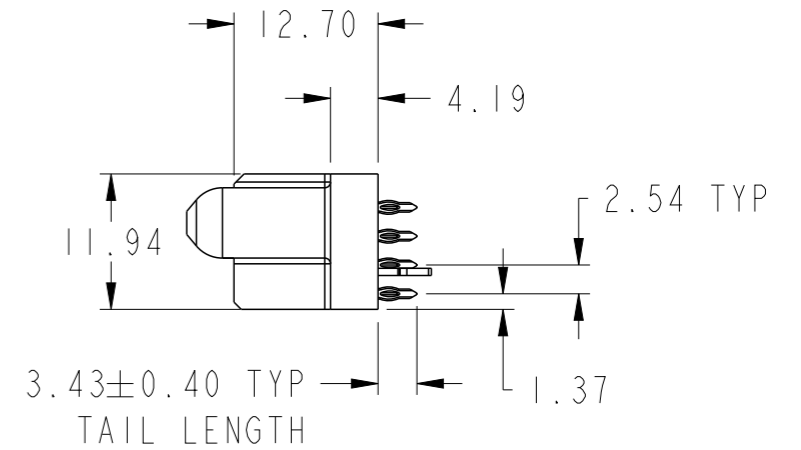
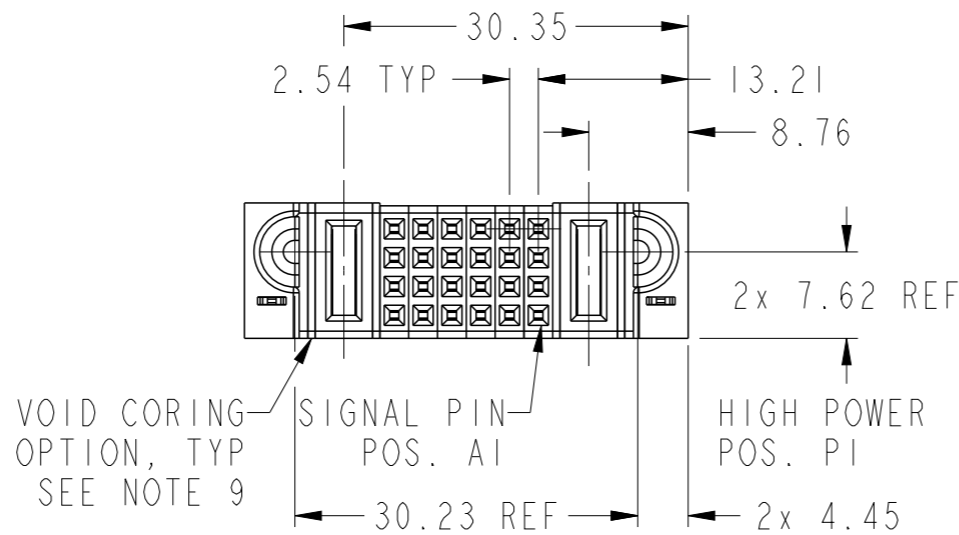
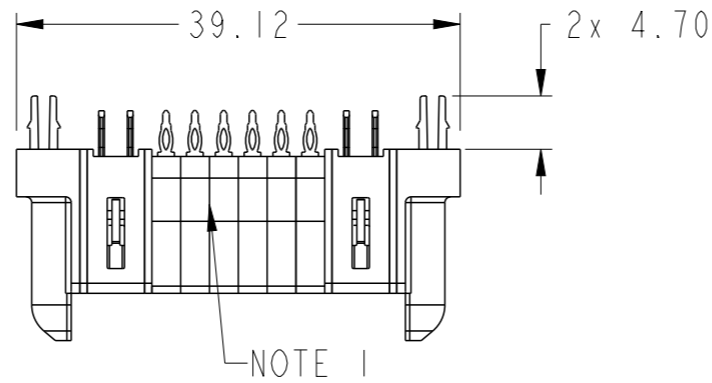
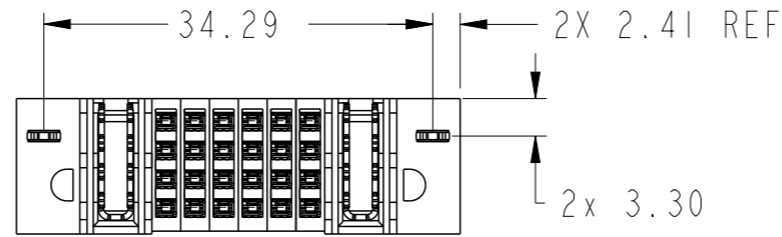


PRODUCT NUMBER SEE SHEET 2

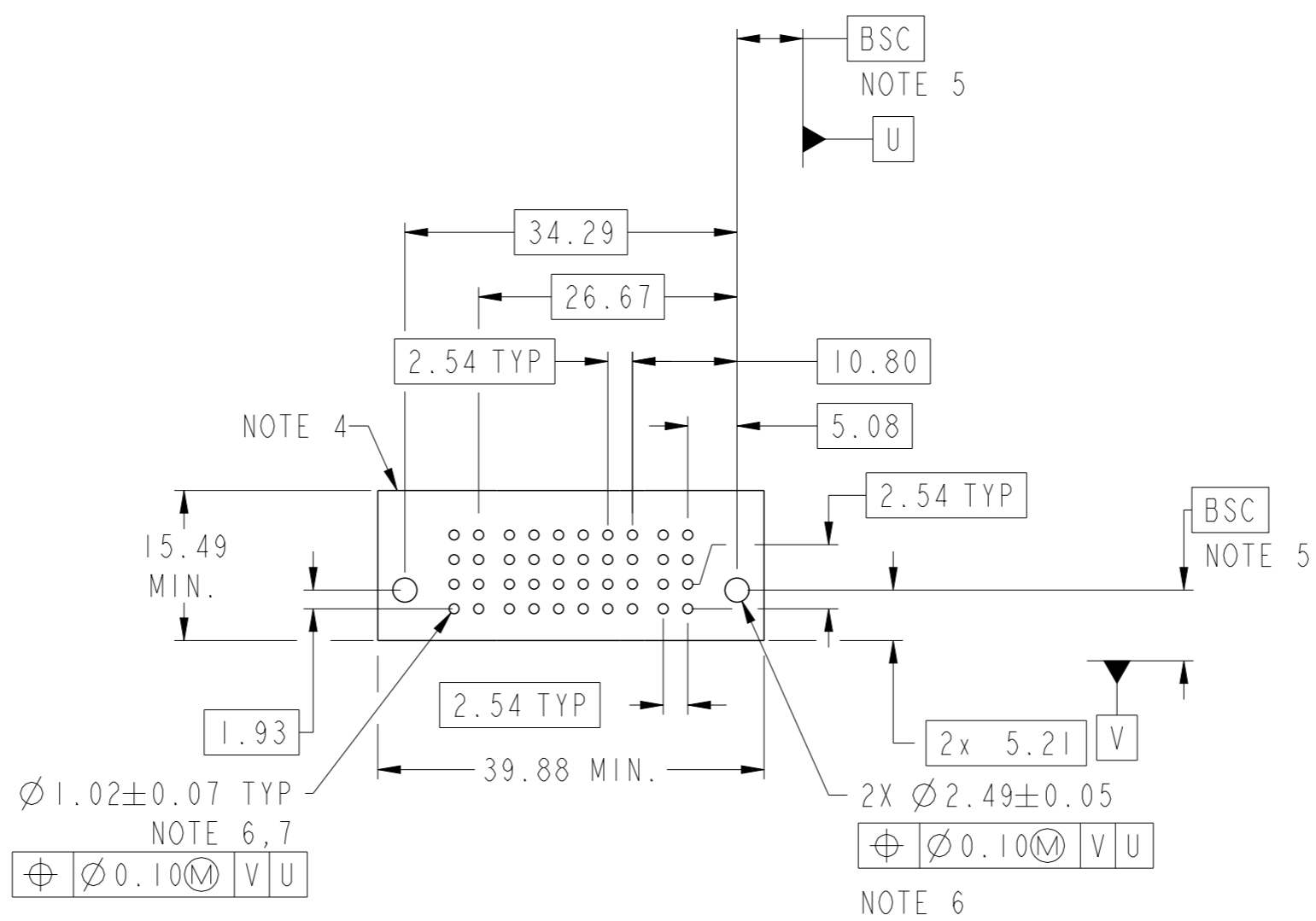


spec ref		dr	Rainbow Zhan	2015/07/23	projection	MM	size	A3	scale	3:2
tolerance std		eng	Rainbow Zhan	2015/07/26			ecn no		-	
ASME Y14.5		chr	Fancy Zhang	2015/07/26			rel level		Released	
TOLERANCES UNLESS OTHERWISE SPECIFIED		appr	Pei-Ming Zheng	2015/07/26	product family		PowerBlade+			
surface		linear	0.X	±0.50		part no		IP + 24S + IP		rev A
			0.XX	±0.25		dwg no		10106269-2LUB202		
			0.XXX	±0.10		cat. no.		Product - Customer Drw		
ASME Y14.5		angular	0°	±2°	www.fci.com		sheet 1 of 3			

Copyright FCI.

PRODUCT NO.	ROWS	HP		SIGNAL						HP		
		E1	P2	6	5	4	3	2	1	P1	E2	
10106269-2LUB202LF	DCBA		HG	F	F	F	F	F	F	F	HG	

CODE	DESCRIPTION
F	STD SIGNAL CONTACT
HA	METAL HOLD DOWN
HG	STD HIGH POWER CONTACT (3.43)



Copyright FCI.

dr	Rainbow Zhan	2015/07/23	projection 	MM 	size	A3	scale	3:2
eng	Rainbow Zhan	2015/07/26			ecn no	-		
chr	Fancy Zhang	2015/07/26			product family	PowerBlade+	rel level	Released
appr	Pei-Ming Zheng	2015/07/26				IP + 24S + IP VT PF RECEPTACLE	dwg no 10106269-2LUB202	rev A
www.fci.com			cat. no.	Product - Customer Drw		sheet 2 of 3		

A

B

C

D

A

B

C

D

NOTES:

- 1) "FCI", PART NUMBER AND DATE CODE TO BE MARKED ON THIS SURFACE.
THE MARK CAN BE OMITTED IF THERE IS NOT ENOUGH SPACE ON THIS SURFACE.
- 2) MATERIALS:
-HOUSING - GLASS FILLED WITH HIGH TEMP THERMOPLASTIC, UL94V-0.
-SIGNAL CONTACT - COPPER ALLOY.
-POWER CONTACT - HIGH CONDUCTIVITY COPPER ALLOY.
- 3) PLATING SPECIFICATION REFER TO FCI 10131226.
- 4) DENOTES CONNECTOR KEEP OUT ZONE.
- 5) DATUM AND BASIC DIMENIONS WERE ESTABLISHED BY CUSTOMER.
- 6) ALL HOLE DIAMETERS ARE FINISHED HOLE SIZES.
- 7) 1.15 ± 0.025MM DRILLED HOLE PLATED WITH 0.00762MM MIN Sn
OVER 0.0254-0.0762MM Cu PLATING TO ACHIEVE A 1.02 ± 0.07MM HOLE.
- 8) PRODUCT SPECIFICATION REFER TO FCI GS-12-658.
APPLICATION SPECIFICATION REFER TO FCI GS-20-141.
PRODUCT PACKAGED IN TRAYS, REFER TO FCI GS-14-1502.
- 9) THE VOID CORING IN BETWEEN POWER MODULES, SIGNAL
MODULES AND END MODULES ARE OPTIONAL AND THE SHAPE
MAY BE DIFFERENT FOR OPTIMIZE THE MOLDING PROCESS. THE
VOID CORING WILL NOT EFFECT TO PRODUCT FUNCTION.



Copyright FCI.

dr	Rainbow Zhan	2015/07/23	projection 	MM ←→	size	A3	scale	1:1		
eng	Rainbow Zhan	2015/07/26			ecn no	-				
chr	Fancy Zhang	2015/07/26			product family	PowerBlade+	rel level	Released		
appr	Pei-Ming Zheng	2015/07/26								
		title			IP + 24S + IP	dwg no		10106269-2LUB202	rev	A
www.fci.com		cat. no.			Product - Customer Drw			sheet 3 of 3		