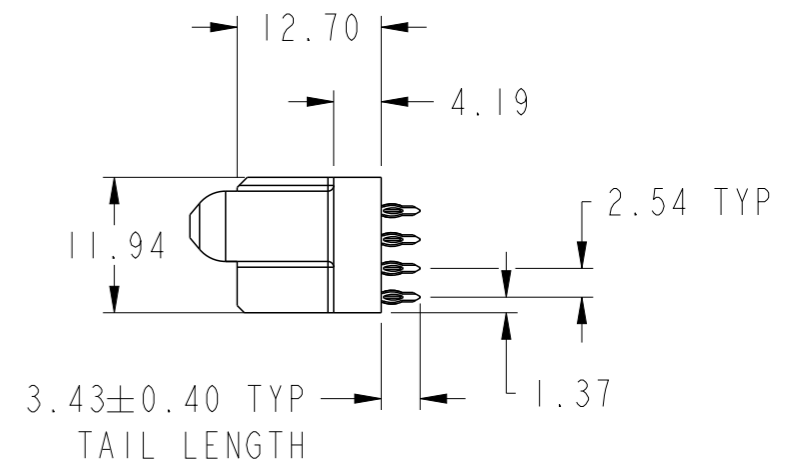
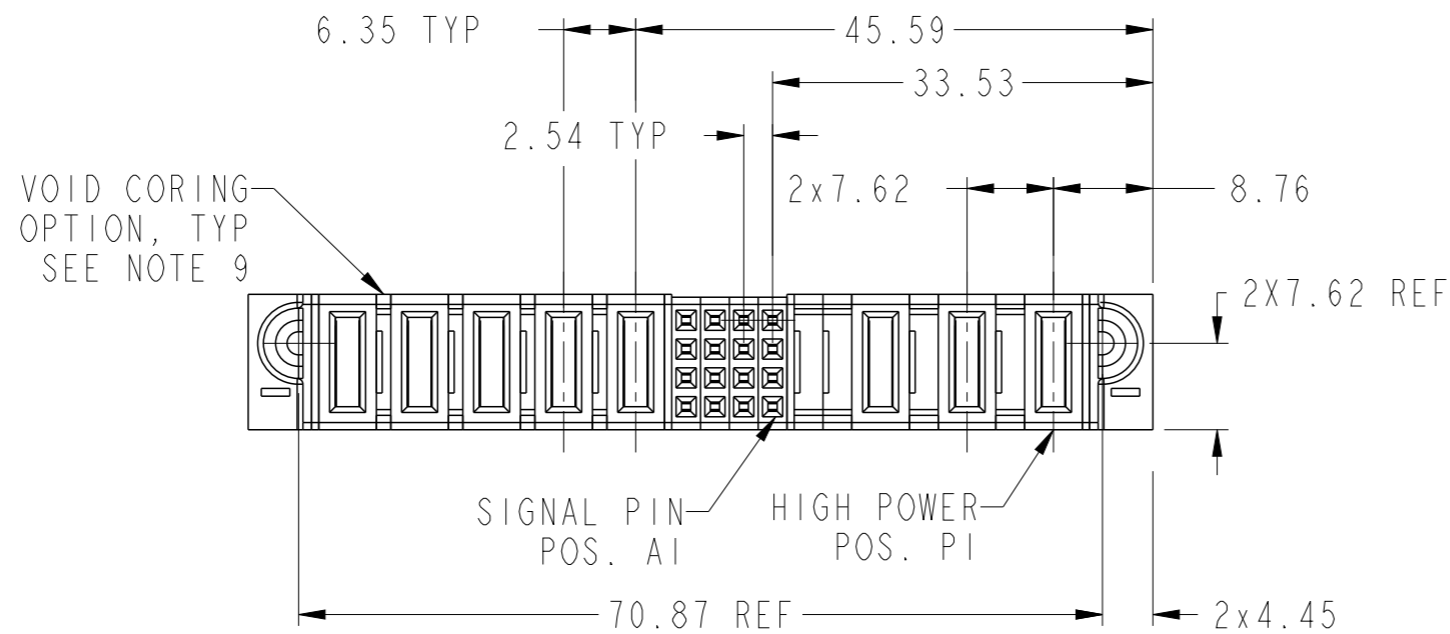
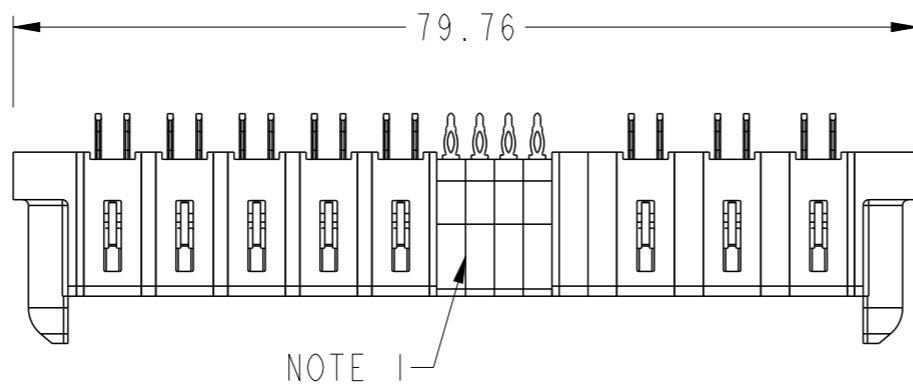
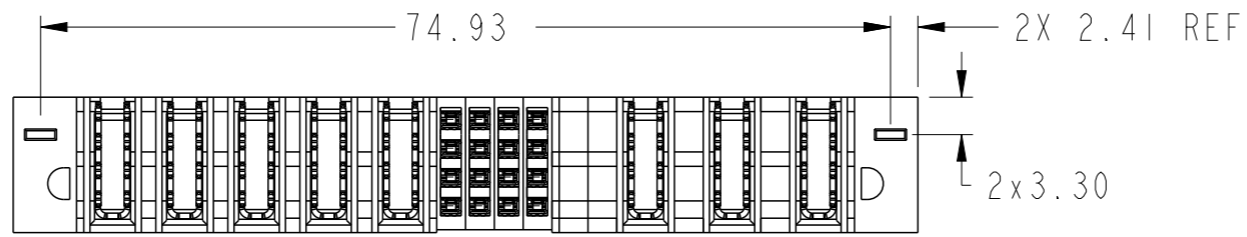


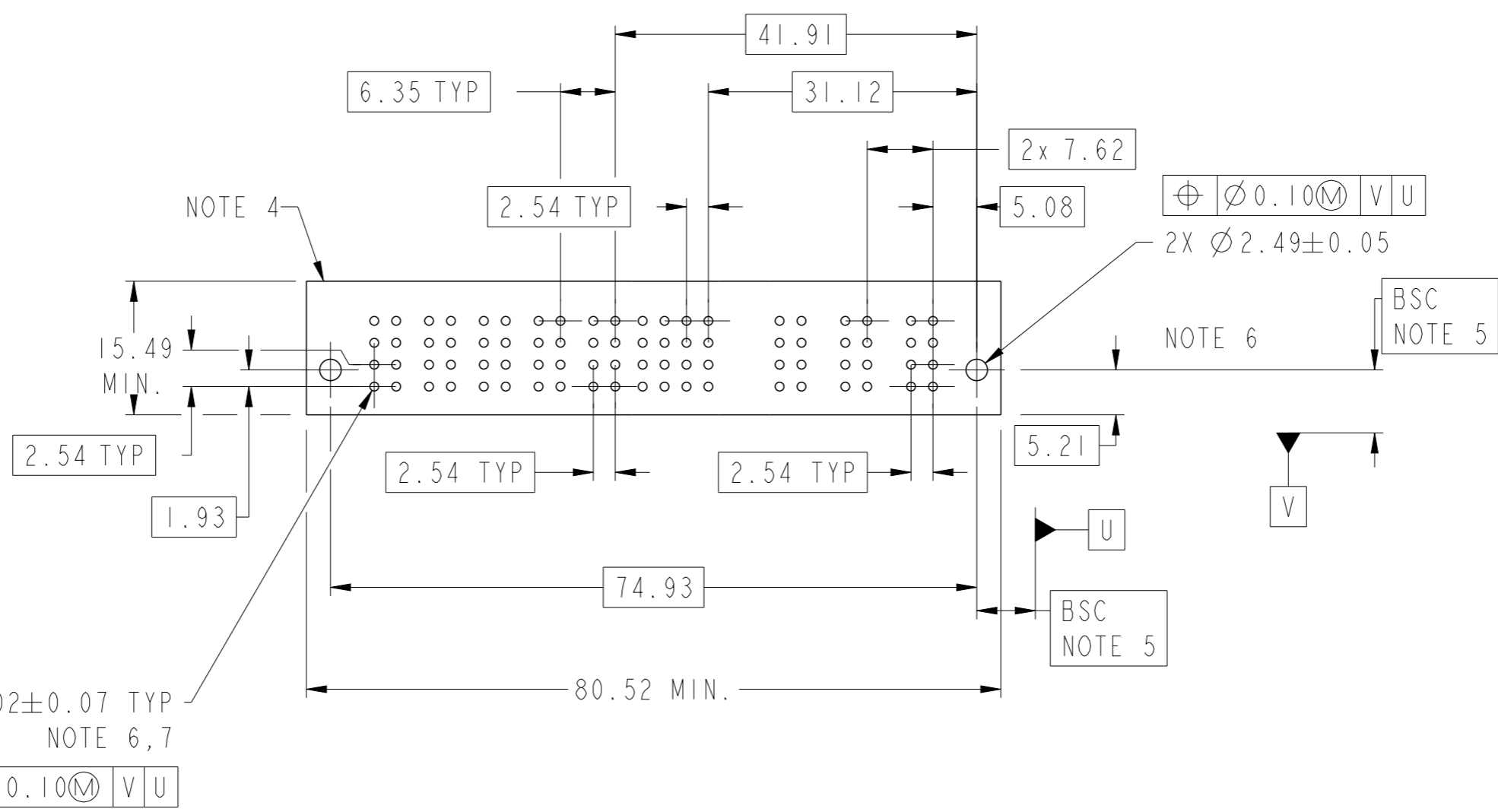
PRODUCT NUMBER SEE SHEET 2



spec ref		dr	Zhen-Hua Liu	2015/06/25	projection	MM	size	A3	scale	3:2
tolerance std		eng	Zhen-Hua Liu	2015/07/21			ecn no		rel level	
ASME Y14.5		chr	Fancy Zhang	2015/07/21			-		Released	
TOLERANCES UNLESS OTHERWISE SPECIFIED		appr	Pei-Ming Zheng	2015/07/21	product family		PowerBlade+		rev	
surface		linear	0.X	±0.50		3ACP + 16S + 5HP		dwg no 10106269-8004001	A	
			0.XX	±0.25		VT PF RECEPTACLE				
			0.XXX	±0.10		cat. no.				
ASME Y14.5		angular	0°	±2°	www.fci.com		Product - Customer Drw		sheet 1 of 3	

PRODUCT NO.	ROWS	HIGH POWER					SIGNAL				HIGH POWER			E2
		E1	P8	P7	P6	P5	P4	4	3	2	1	P3	P2	
10106269-8004001LF	DCBA	HG	HG	HG	HG	HG	F	F	F	F	HG	HD	HG	

CODE	DESCRIPTION
F	STD SIGNAL CONTACT
HD	MFBL HIGH POWER CONTACT (3.43)
HG	STD HIGH POWER CONTACT (3.43)



Copyright FCI.

dr	Zhen-Hua Liu	2015/06/25	projection	MM	size	A3	scale	3:2
eng	Zhen-Hua Liu	2015/07/21			ecn no	-	rel level	Released
chr	Fancy Zhang	2015/07/21						
appr	Pei-Ming Zheng	2015/07/21	product family	PowerBlade+				
			title 3ACP + 16S + 5HP VT PF RECEPTACLE		dwg no 10106269-8004001	rev A		
www.fci.com			cat. no.		Product - Customer Drw		sheet 2 of 3	

A

A

NOTES:

- 1) "FCI", PART NUMBER AND DATE CODE TO BE MARKED ON THIS SURFACE.
THE MARK CAN BE OMITTED IF THERE IS NOT ENOUGH SPACE ON THIS SURFACE.
- 2) MATERIALS:
-HOUSING - GLASS FILLED WITH HIGH TEMP THERMOPLASTIC, UL94V-0.
-SIGNAL CONTACT - COPPER ALLOY.
-POWER CONTACT - HIGH CONDUCTIVITY COPPER ALLOY.
- 3) PLATING SPECIFICATION : 10116351
- 4) DENOTES CONNECTOR KEEP OUT ZONE.
- 5) DATUM AND BASIC DIMENIONS WERE ESTABLISHED BY CUSTOMER.
- 6) ALL HOLE DIAMETERS ARE FINISHED HOLE SIZES.
- 7) 1.15 ± 0.025MM DRILLED HOLE PLATED WITH 0.00762MM MIN Sn
OVER 0.0254-0.0762MM Cu PLATING TO ACHIEVE A 1.02 ± 0.07MM HOLE.
- 8) PRODUCT SPECIFICATION : GS-12-658.
APPLICATION SPECIFICATION : GS-20-141.
PRODUCT PACKAGE SPECIFICATION: GS-14-1502.
- 9) THE VOID CORING IN BETWEEN POWER MODULES, SIGNAL
MODULES AND END MODULES ARE OPTIONAL AND THE SHAPE
MAY BE DIFFERENT FOR OPTIMIZE THE MOLDING PROCESS. THE
VOID CORING WILL NOT EFFECT TO PRODUCT FUNCTION.

B

B

C

C

D

D



Copyright FCI.

dr	Zhen-Hua Liu	2015/06/25	projection 	MM 	size	A3	scale	1:1
eng	Zhen-Hua Liu	2015/07/21			ecn no	-		
chr	Fancy Zhang	2015/07/21	product family		PowerBlade+	rel level		Released
appr	Pei-Ming Zheng	2015/07/21	title		3ACP + 16S + 5HP		dwg no	10106269-8004001
www.fci.com			cat. no.		Product - Customer Drw		rev	A
					sheet 3 of 3			