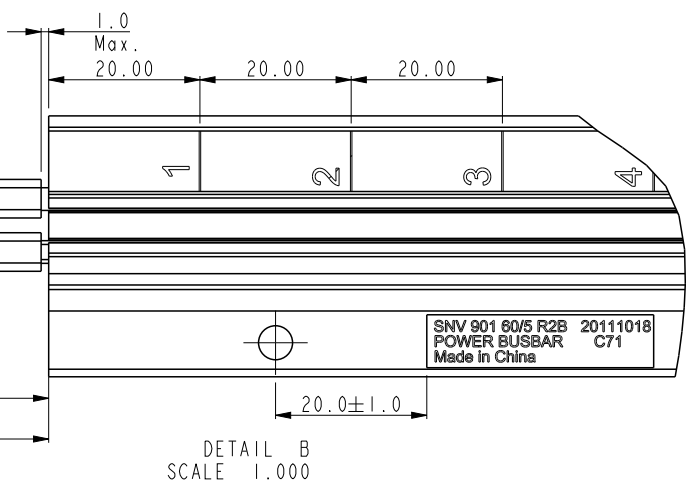
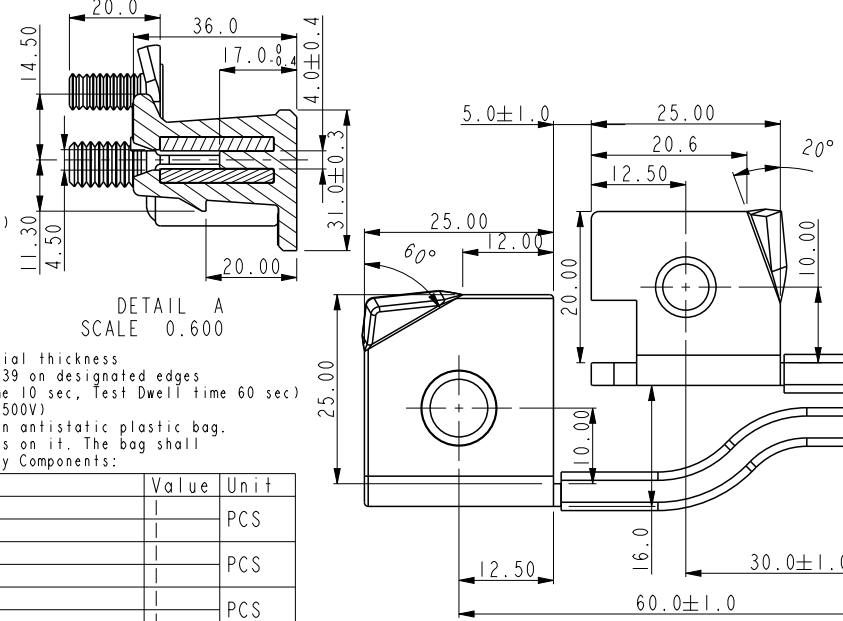
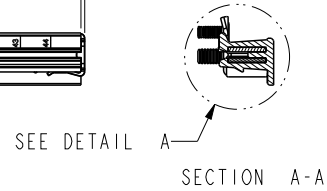
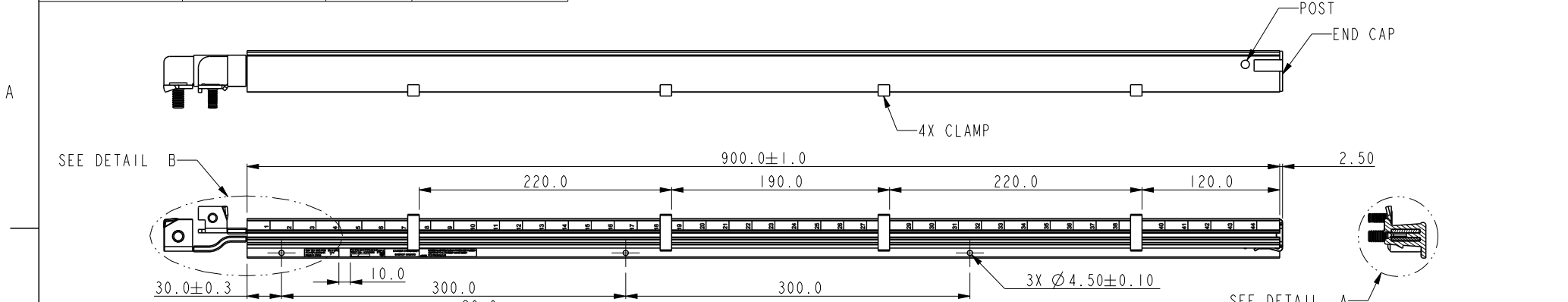


FCI PN	ERICSSON PN	R-State	Description
10117775-001LF	SNV 901 60/5	R2B	Power BUSBAR



- NOTES:
- Material:
Conductor: C11000, H02 per ASTM B152-2006 (or T2 per GB/T5231-2001, 1/2 hardness)
Conductor plating: Bright Tin over Nickel plate
Main housing: Epoxy+70%GF; UL 94V-0
Post, clamp and End cap: PBT+20%GF, UL 94V-0
 - Colour:
Main housing: NCS-S0502B
Printed Font: NCS-S6000N
Post, Clamp and End cap: Black
 - Conductor Max burr height: 0.1mm or 10% of material thickness
 - Safe edge: 0.25mm min radius of chamfer per ul 1439 on designated edges
 - Dielectric strength for BUSBAR: 1500VDC (Ramp time 10 sec, Test Dwell time 60 sec)
Insulation resistance: 1000M Ohm (Test voltage: 500V)
 - The accessory components shall be delivered in an antistatic plastic bag. The bag shall have a label with table of contents on it. The bag shall be attached to the busbar upon delivery. Accessory Components:

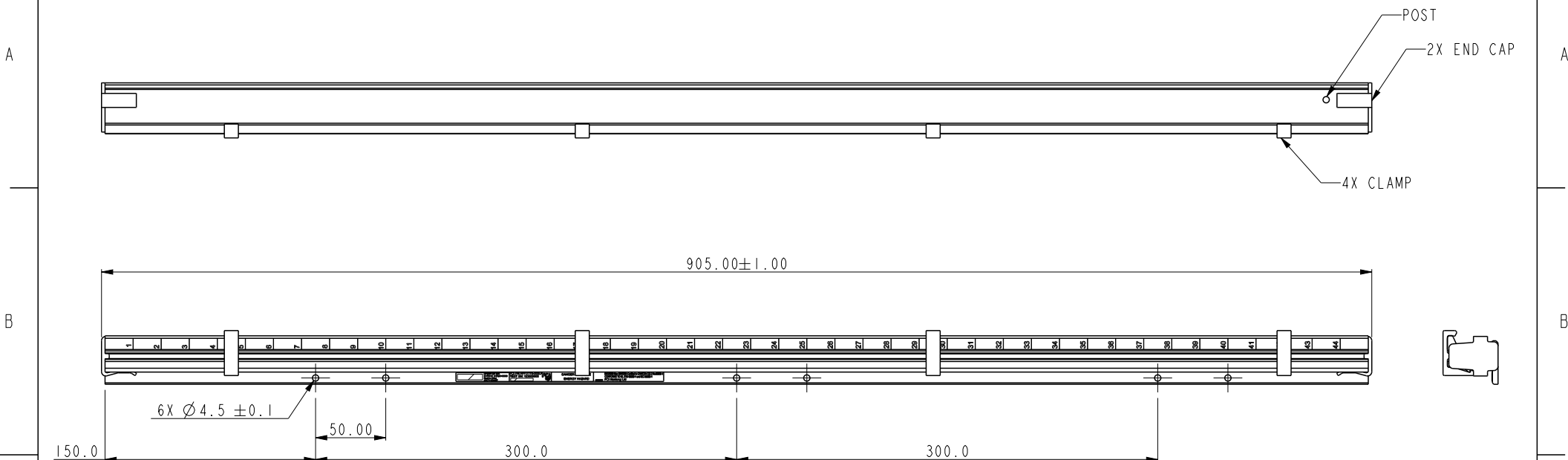
Item	Description	Value	Unit
Nut	M8, stainless	1	PCS
	M10, stainless	1	PCS
Flat washer	M8, stainless	1	PCS
	M10, stainless	1	PCS
Spring washer	M8, stainless	1	PCS
	M10, stainless	1	PCS
Mounting screws	Six point socket pan head tapping screw with flat point, T20 Ericsson p/n SBF 899 42/1	3	PCS



Copyright FCI.

spec ref		dr	Cross Tang	2012/07/15	projection	MM	size	A4	scale	0.200	
tolerance std		eng	Cross Tang	2014/11/20			←→	ecn no	ELX-N-17181-1		
TOLERANCES UNLESS OTHERWISE SPECIFIED		chr	-	-					rel level	Released	
surface	- ✓	linear	0.X	±0.5		title	ERICSSON BUABAR		dwg no	10117775C	rev
			0.XX	±0.25			CPN:SNV 901 60/5 R-State:R3B				
			0.XXX	±0.127			cat. no. - Product - Customer Drw				
angular	0°	±1°	www.fci.com				sheet 1 of 3				

FCI PN	ERICSSON PN	Description
10117775-002LF	SNV 90 160/1	Power BUSBAR



- NOTES:
- Material:
 Conductor: C11000, H02 per ASTM B152-2006, 25MM X 3.0MM
 (or T2 per GB/T5231-2001, 1/2 hardness)
 Conductor plating: Bright Tin 3-5um
 Main housing: Epoxy+70%GF; UL 94V-0
 Post, Clamp and End cap: PBT+20%GF, UL 94V-0
 - Colour:
 Main housing: NCS-S0502B
 Printed Font: NCS-S6000N
 Post, Clamp and End cap and Post: Black
 - Conductor Max burr height: 0.1mm or 10% of material thickness
 - Safe edge: 0.25mm min radius or chamfer per ul 1439 on designated edges

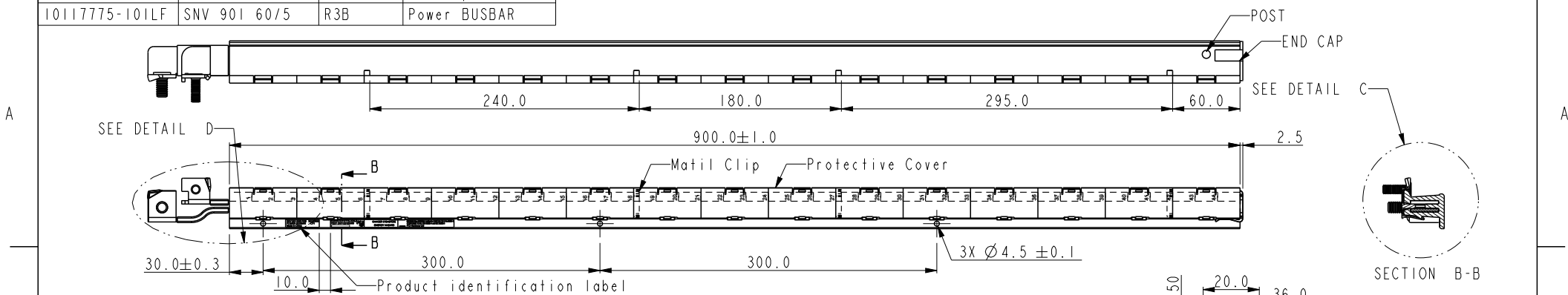


Copyright FCI.

spec ref		dr	Cross Tang	2012/07/15	projection 	MM ←→	size	A4	scale	0.250
tolerance std	TOLERANCES UNLESS OTHERWISE SPECIFIED	eng	Cross Tang	2014/11/20			ecn no	ELX-N-17181-1		
		chr	-	-				rel level	Released	
surface		linear	appr	Guo-Feng Jin	2014/11/23	product family	-			
	0.X	±0.5		title	ERICSSON BUABAR		dwg no	10117775C		rev
	0.XX	±0.25			CPN:SNV 901 60/5 R-State:R3B			sheet 2 of 3		
	0.XXX	±0.127			cat. no. - Product - Customer Drw					
	angular	0°	www.fci.com		Product - Customer Drw		sheet 2 of 3			

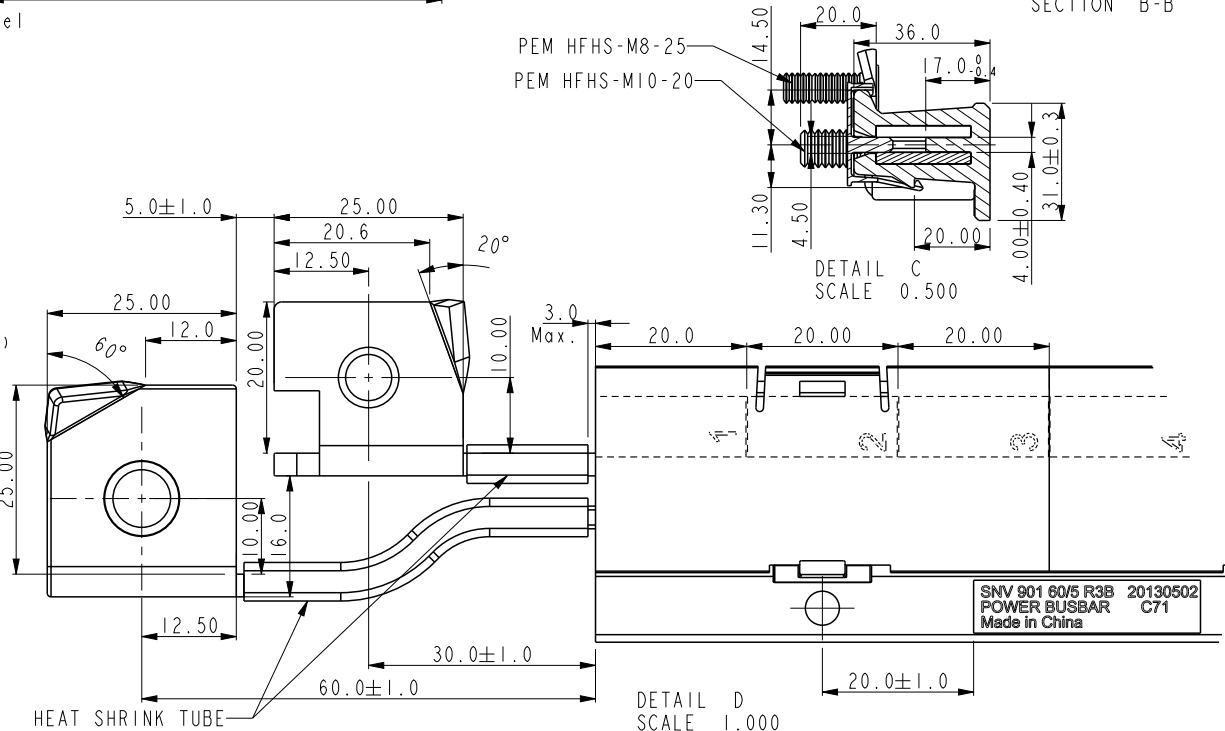
ProjE File - REV C - 2009-06-09

FCI PN	ERICSSON PN	R-State	Description
1011775-101LF	SNV 901 60/5	R3B	Power BUSBAR



- NOTES:
- Material:
Conductor: C11000, H02 per ASTM B152-2006 (or T2 per GB/T5231-2001, 1/2 hardness)
Conductor plating: Bright Tin over Nickel plate
Main housing: Epoxy+70%GF; UL 94V-0
Post and End cap: PBT+20%GF, UL 94V-0
Protective cover: PES 3600G, UL 94V-0
Metal Clips: SK5
 - Colour:
Main housing: NCS-S0502B
Printed Font: NCS-S6000N
Post and End cap: Black
 - Conductor Max burr height: 0.1mm or 10% of material thickness
 - Safe edge: 0.25mm min radius or chamfer per ul 1439 on designated edges
 - Dielectric strength for BUSBAR: 1500VDC (Ramp time 10 sec, Test Dwell time 60 sec)
Insulation resistance: 1000M Ohm (Test voltage: 500V)
 - The accessory components shall be delivered in an antistatic plastic bag. The bag shall have a label with table of contents on it. The bag shall be attached to the busbar upon delivery. Accessory Components:

Item	Description	Value	Unit
Nut	M8, stainless	1	PCS
	M10, stainless	1	PCS
Flat washer	M8, stainless	1	PCS
	M10, stainless	1	PCS
Spring washer	M8, stainless	1	PCS
	M10, stainless	1	PCS
Mounting screws	Six point socket pan head tapping screw with flat point, T20 Ericsson p/n SBF126 340/84	3	PCS
Protective cover*	Ericsson p/n SDF III 347/1 (Product should be delivered mounted on the busbar)	15	PCS
Metal Clips	they should be placed between sections 6-7, 18-19, 27-28 or/and 41-42	4	PCS



Copyright FCI

spec ref	dr	Cross Tang	2012/07/15	projection	MM	size	A4	scale	0.200
tolerance std	eng	Cross Tang	2014/11/20		←→	ecn no	ELX-N-17181-1	rel level	Released
	chr	-	-						
surface <input checked="" type="checkbox"/>	linear	0.X	±0.5	product family	-	dwg no	10117775C	rev	B
		0.XX	±0.25						
		0.XXX	±0.127						
	angular	0°	±1°	cat. no.	-	Product - Customer Drw	sheet 3 of 3		