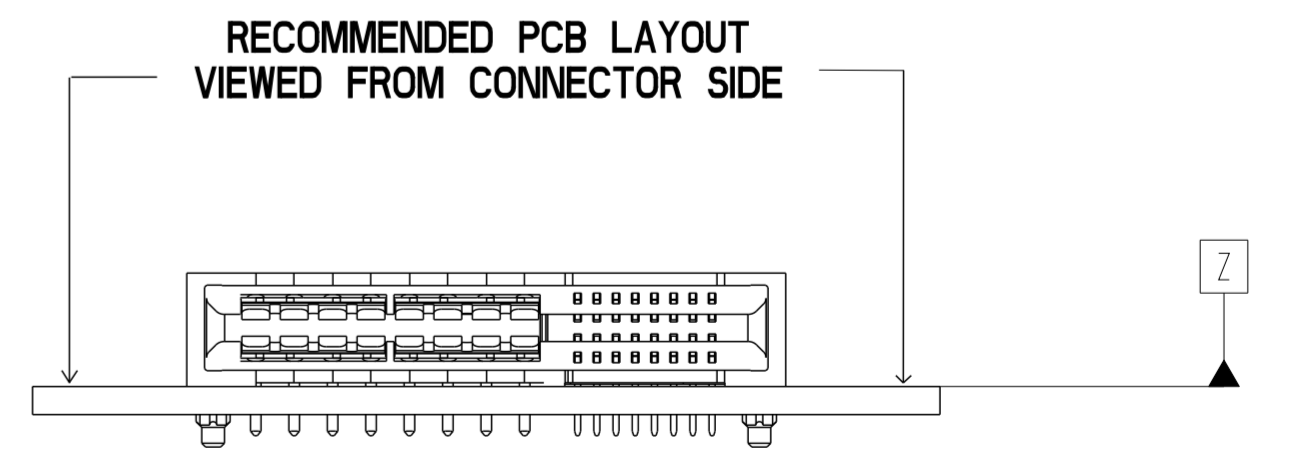
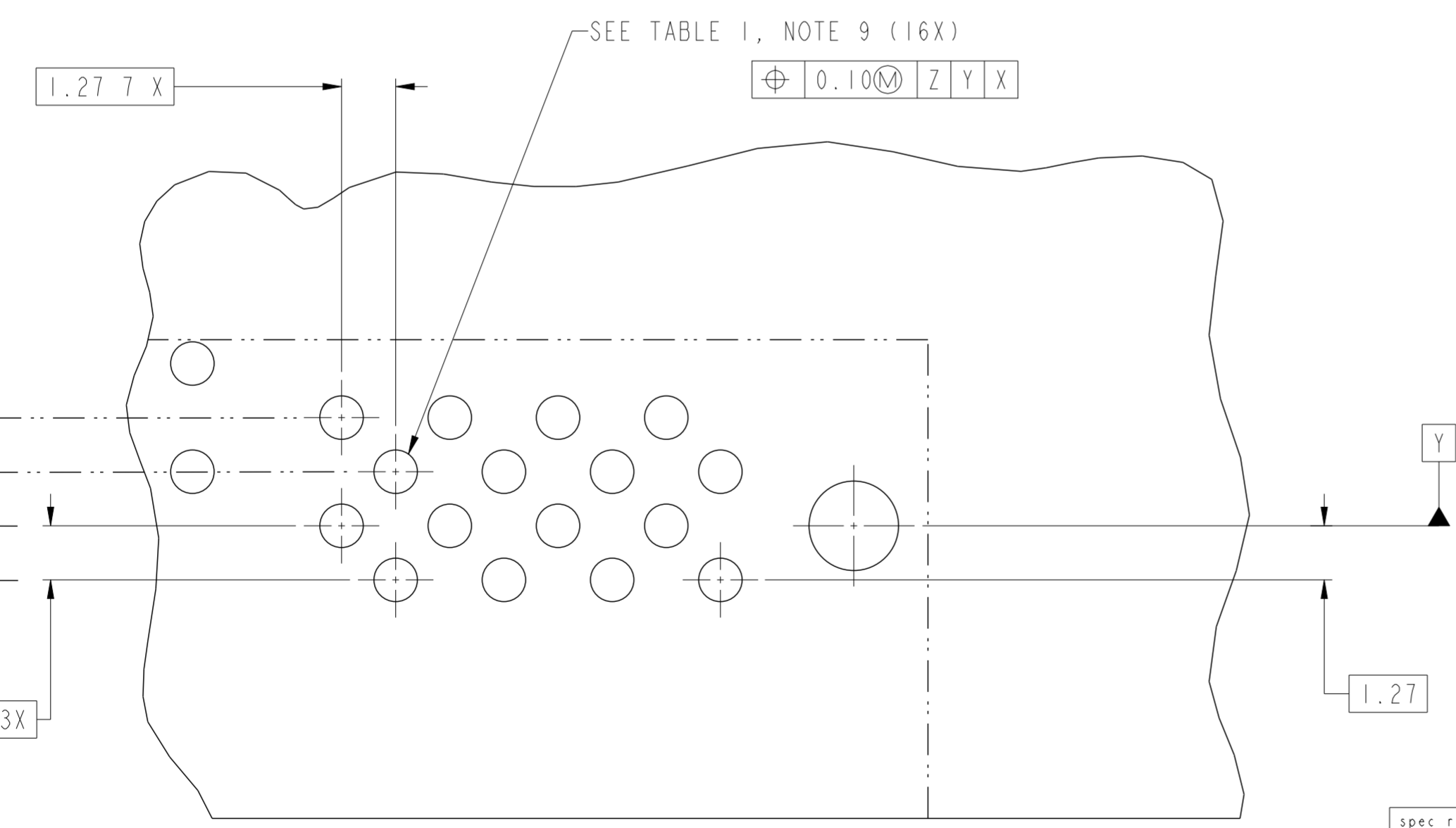
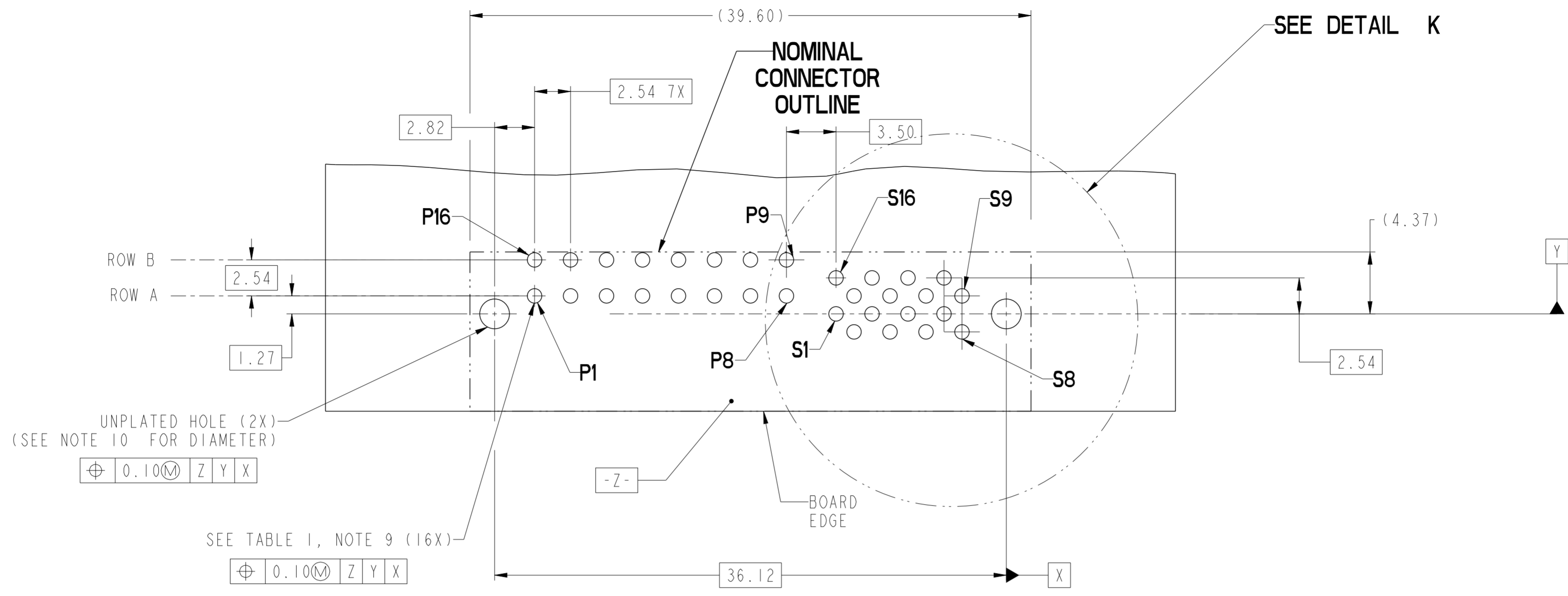


SECTION A-A

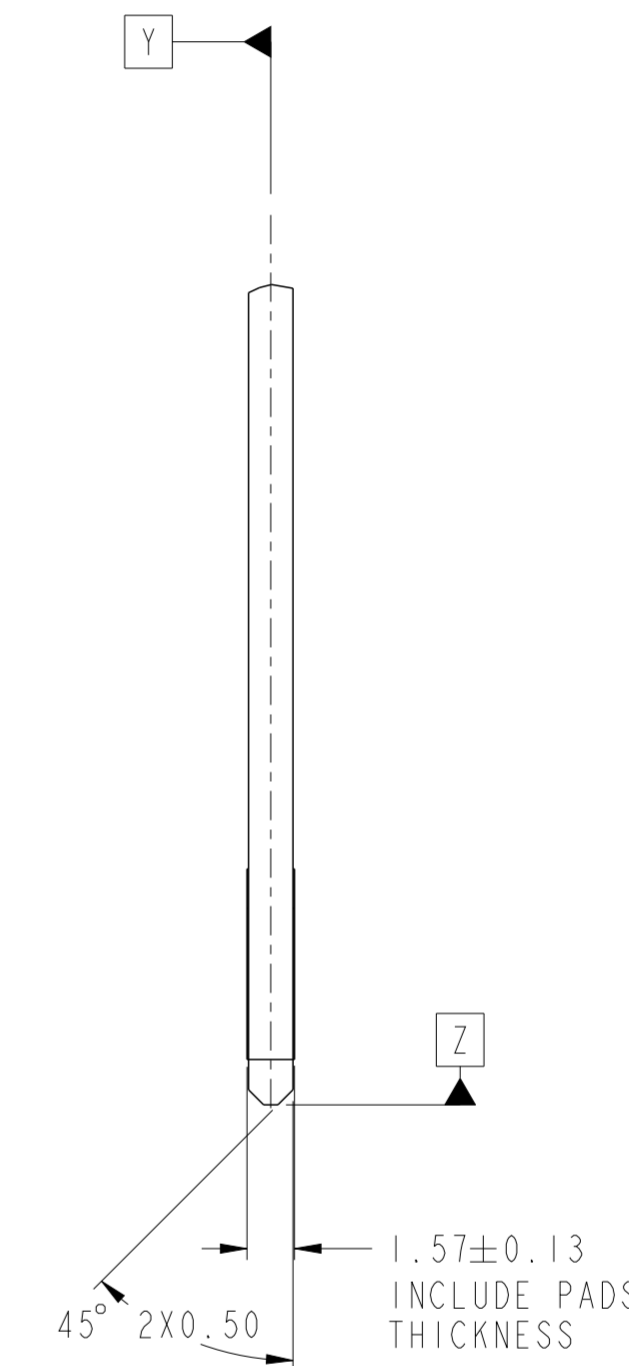
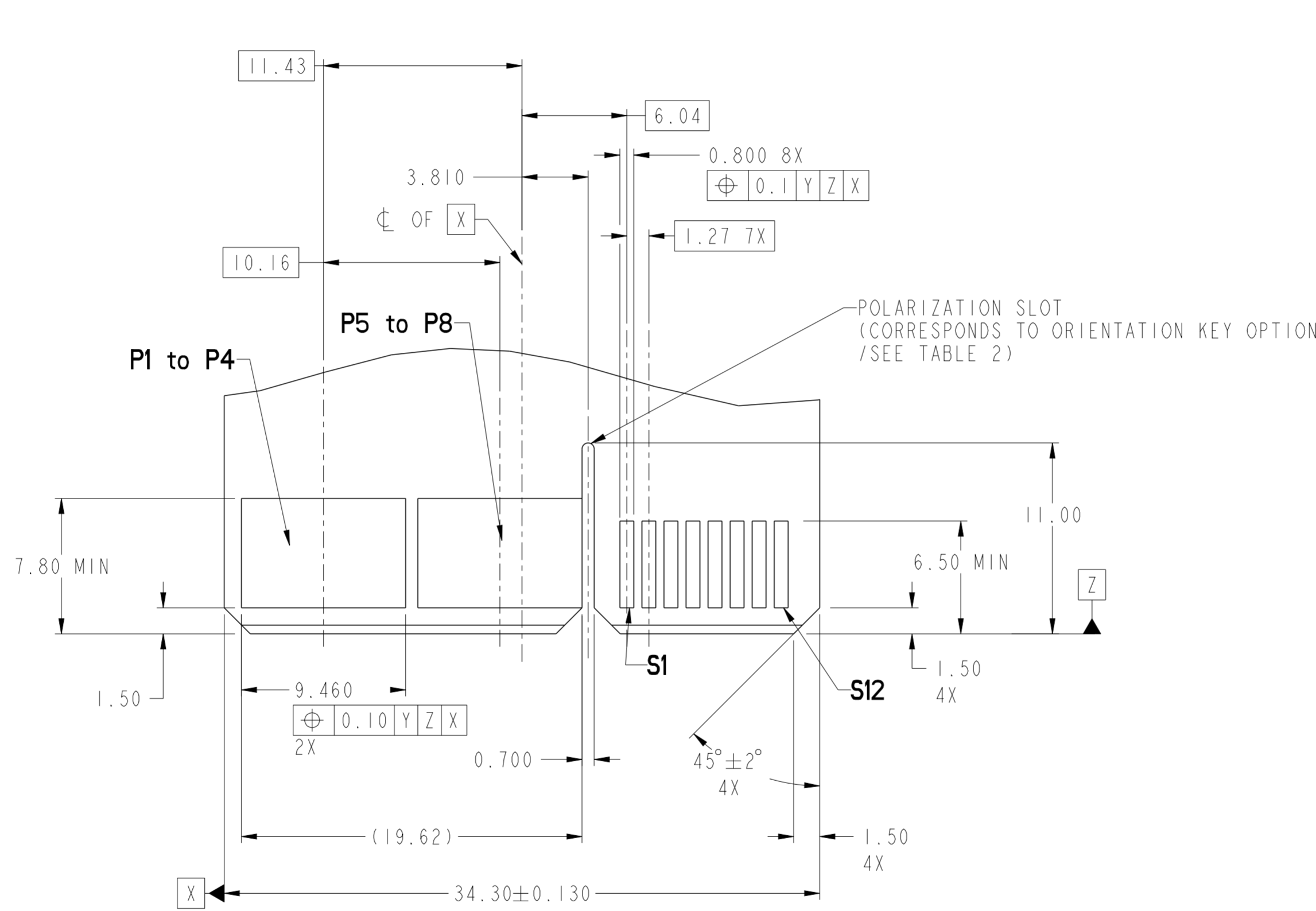
spec ref	-	dr	Wei-Long Zhang	2011/03/28	projection	MM	size	A2	scale	4:1	
tolerance std	-	eng	Sunny2 Liu	2016/05/06			ecn no	ELX-DG-24036-1	rel level	Released	
	TOLERANCES UNLESS OTHERWISE SPECIFIED	chr	Terris Liu	2016/05/20							
		appr	Pei-Ming Zheng	2016/05/24							
surface	linear	0.X	±0.30	Amphenol FCI	product family		RIGHT ANGLE 16P16S		title HIGH POWER CARD EDGE	dwg no 10117877	rev C
		0.XX	±0.10		-		-				
		0.XXX	±0.05		-		-				
	angular	0°	±2°	cat. no.	-	Product - Customer Drw	sheet 1 of 4				



DETAIL K
SCALE 8:1

spec ref	-	dr	Wei-Long Zhang	2011/03/28	projection	MM	size	A2	scale	4:1		
tolerance std	-	eng	Sunny2 Liu	2016/05/06			ecn no	ELX-DG-24036-1				
		chr	Terris Liu	2016/05/20				rel level	Released			
		appr	Pai-Ming Zheng	2016/05/24	product family	-	rel level	Released				
surface	✓	linear	0.X	±0.30	Amphenol FCI	TITLE RIGHT ANGLE 16P16S HIGH POWER CARD EDGE	dwg no 10117877	rev C	cat. no.		Product - Customer Drw	sheet 2 of 4
			0.XX	±0.10								
			0.XXX	±0.05								
		angular	0°	±2°								

CONTACT TYPE	TOP LAYER DESCRIPTION	TABLE 1 (HPCE / SOLDER TAILS) PLATED THROUGH-HOLE REQUIREMENTS				
		DRILLED HOLE DIAMETER	COPPER THICKNESS	TIN-LEAD THICKNESS	TIN THICKNESS	FINISHED HOLE DIAMETER
POWER & SIGNAL	TIN-LEAD	1.10-1.16 (1.15 DRILL)	0.025 - 0.050	0.005 - 0.015	--	0.94 - 1.10
	IMMERSION TIN	1.10-1.16 (1.15 DRILL)	0.025 - 0.050	--	0.9 - 1.5um	0.94 - 1.10
	COPPER (SEE NOTE 8)	1.10-1.16 (1.15 DRILL)	0.025 - 0.050	--	--	0.94 - 1.10



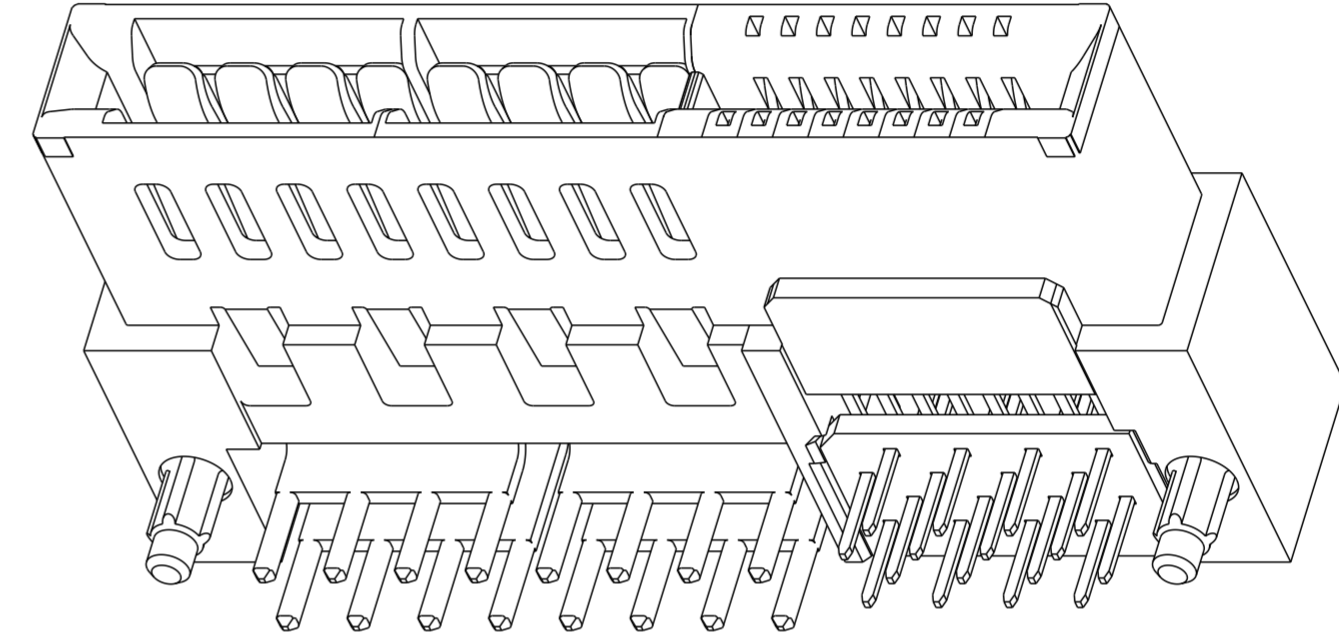
RECOMMENDED MATING BOARD FOOTPRINT

spec ref	-	dr	Wei-Long Zhang	2011/03/28	projection	MM	size	A2	scale	4:1	
tolerance std	-	eng	Sunny2 Liu	2016/05/06			ecn no	ELX-DG-24036-1			
		chr	Terris Liu	2016/05/20			rel level	Released			
		appr	Pai-Ming Zheng	2016/05/24			product family				
surface	linear	0.X	±0.30		RIGHT ANGLE 16P16S HIGHT POWER CARD EDGE		dwg no	10117877			
		0.XX	±0.10		cat. no.			rev	C		
		0.XXX	±0.05		Product - Customer Drw	sheet 3 of 4					
	angular	0°	±2°								

Amphenol FCI

© 2016 APCI

HPCE PART NUMBER (TABLE 2)					
10117877	TAIL TYPE	HOLD-DOWN OPTION	ORIENTATION KEY	DIM "A" TYPICAL TAIL LENGTH	
10117877-001LF	SOLDER TAIL	NO	YES	3.25±0.25	
10117877-002LF			NO		
10117877-003LF		YES	YES		
10117877-004LF			NO		
10117877-005LF		NO	YES		4.05±0.25
10117877-006LF			NO		
10117877-007LF		YES	YES		
10117877-008LF			NO		
10117877-009LF		NO	YES	4.85±0.25	
10117877-010LF			NO		
10117877-011LF		YES	YES		
10117877-012LF			NO		



NOTES:

- CONNECTOR MATERIALS:
 HOUSING: HIGH TEMPERATURE THERMAL PLASTIC, BLACK
 UL 94V-0 COMPLIANT
 CONTACTS: HIGH PERFORMANCE COPPER ALLOY.
- CONTACT FINISH REF. GS-12-604 SECTION 5.2.
- PRODUCT SPECIFICATION: GS-12-604.
- APPLICATION SPECIFICATION: GS-20-128).
- PRODUCT MARKING ON HOUSING IN AREA SHOWN MEETS AFCI SPECIFICATION: GS-24-007.
- PACKAGING MEETS FCI SPECIFICATION GS-14-937.
- HOUSING COMPONENT WILL WITHSTAND EXPOSURE TO 260°C PEAK TEMPERATURE FOR 60 SECONDS IN A CONVECTION, INFRA-RED, OR VAPOR PHASE REFLOW OVEN.
- COPPER PLATING THICKNESS IN CENTER OF VIA-HOLE CAN BE NO MORE THAN 0.003 LESS THAN OTHER AREAS.
- ALL HOLE SIZES ARE FINISHED HOLE SIZES.
- MOUNTING HOLES ARE UNPLATED
 $\varnothing 2.10 \pm 0.1$ FOR SOLDER TAILS
- A SYMBOL $\triangle C$ WILL BE NEXT TO ANY DIMENSION, VIEW, OR NOTE WHICH HAS BEEN MODIFIED WITH THE CURRENT DRAWING REVISION.

spec ref	-	dr	Wei-Long Zhang	2011/03/28	projection	MM	size	A2	scale	4:1	
tolerance std	-	eng	Sunny2 Liu	2016/05/06			ecn no	ELX-DG-24036-1			
-	TOLERANCES UNLESS OTHERWISE SPECIFIED	chr	Terris Liu	2016/05/20			rel level	Released			
-		appr	Pei-Ming Zheng	2016/05/24			product family				
surface	linear	0.X	±0.30		RIGHT ANGLE 16P16S HIGHT POWER CARD EDGE			dwg no	10117877		
		0.XX	±0.10		cat. no.	-		Product - Customer Drw	sheet 4 of 4		
	angular	0°	±2°		rev	C					