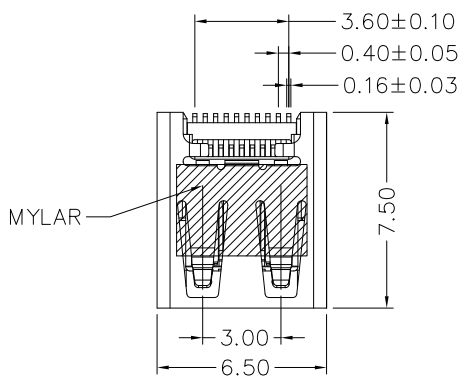


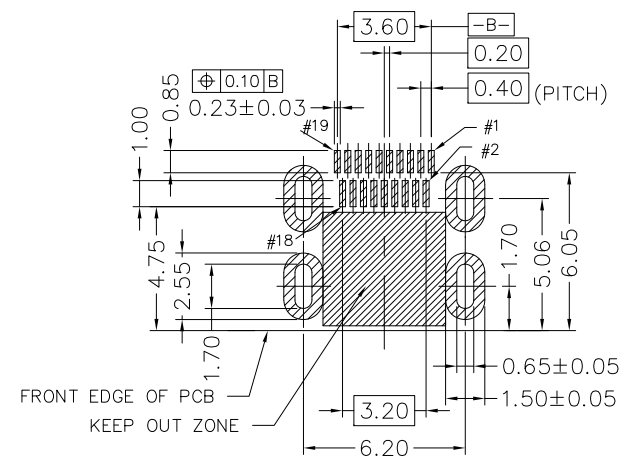
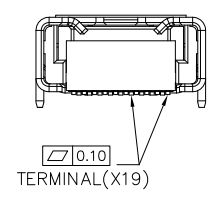
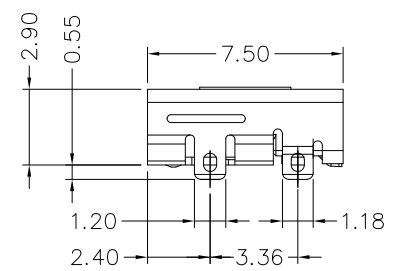
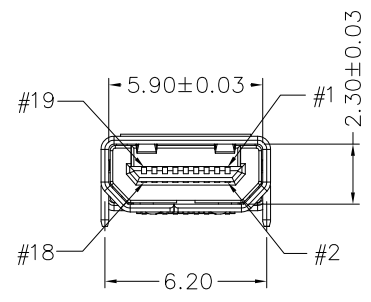
PART NUMBER
10118242-0X1RLF

PART NO. DESCRIPTION:
10118242-0XXXLF

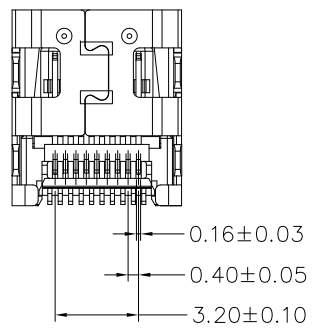
- NOTES:
- MATERIAL:
HOUSING: LCP+30%GF ,UL94 V-0,BLACK OR NATURAL
TERMINAL: COPPER ALLOY.
SHELL: STAINLESS STEEL
 - FINISH:
CONTACT AREA: GOLD PLATED
SOLDER AREA: GOLD FLASH PLATED
SHELL: TIN PLATED
NICKEL PLATED UNDER OVER ALL
 - PRODUCT SPECIFICATION: GS-12-0983.
 - PACKAGING SPECIFICATION: GS-14-2164.
 - THE PRODUCT MEETS EUROPEAN UNION DIRECTIVES AND OTHER COUNTRY REGULATIONS AS DESCRIBED IN GS-22-008,
 - THE CONNECTOR CAN WITHSTAND EXPOSURE TO 260 DEGREE C PEAK TEMPERATURE FOR 10 SECONDS IN IR REFLOW OVEN.



- LEAD FREE
- PACKING TYPE
R: TAPE & REEL
- CONTACT AREA PLATING
1: Au 15u"
- COLOR OPTION
0: BLACK
1: NATURAL



RECOMMENDED PCB LAYOUT (.XX±0.05)
CONNECTOR SIDE (TOP VIEW)



mat'l. code HPL528		surface ISO 1302 ✓		tolerance ASME Y14.5		projection MM		product family HDMI	
ltr	ecn	no	dr	date		tolerances unless otherwise specified		title	
A		LS		09/13/11		.X±0.25		HDMI TYPE D RECEPTACLE	
B	ELX-N-012816	ZK		09/07/12		.XX±0.20			
C	ELX-N-16428	HENRY		12/04/13		.XXX±		scale 1:1	
D	ELX-N-24781	TONY		dr	TONY_LENG	08/23/16		dwg no	
E	ELX-N-25475	TONY		engr	TONY_LENG	08/23/16		sheet 1 of 1	
				chr	ZK_HU	08/23/16		size 5	
				appd	TIM_YAO	08/23/16		10118242	
sheet	revision	E						type	
index	sheet	1						CUSTOMER Drawing	