

10120132 - X0E - XXXLF

LEAD-FREE DESIGNATION ONLY WITH APPLICABLE PLATING CODES

LETTER	PLATING (SEE NOTE 6)	
	APPLICATION	TYPE (REFERENCE)
B	TELCORDIA CO	0.76µm GOLD or GXT
C	TELCORDIA UE	1.27µm GOLD
D	TELCORDIA CO	0.76µm GOLD or GXT, LEAD-FREE
E	TELCORDIA UE	1.27µm GOLD, LEAD-FREE

8-COLUMN DIFFERENTIAL SIGNAL

NUMBER	GUIDE PIN STYLE (SEE NOTE 8)
0	STANDARD GUIDE PIN, MACHINED
1	STANDARD GUIDE PIN, ROLLED

MODULE DESCRIPTION	LETTER DESIGNATION REPRESENTED IN DASH NUMBER										BASE MODULE
LEFT POLARIZING GUIDANCE MODULE (SEE SHEET 6)	N	J	A	B	C	D	E	F	G	H	
	NO KEY NO GUIDE PIN										
RIGHT POLARIZING GUIDANCE MODULE (SEE SHEET 7)	Z	Y	P	Q	R	S	T	U	V	W	
	NO KEY NO GUIDE PIN										
OPEN MODULE (TWO WALL) (SEE SHEET 2)	0 (ZERO)										
LEFT WALL MODULE (SEE SHEET 3)	L										
RIGHT WALL MODULE (SEE SHEET 4)	M										
FOUR WALL MODULE (SEE SHEET 5)	I (ONE)										

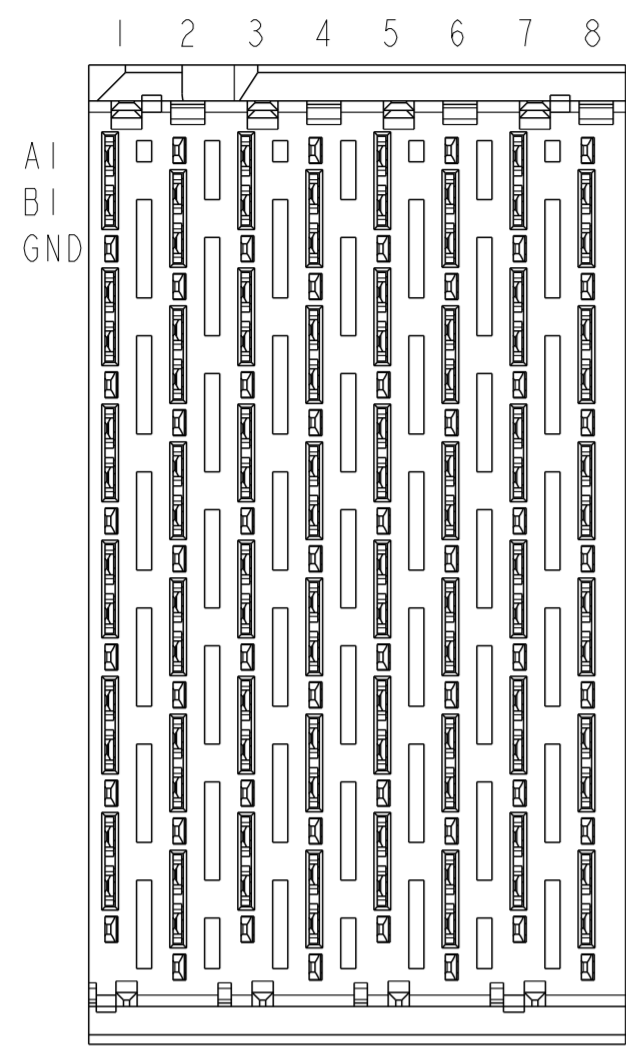
NUMBER	CONTACT MATING WIPE LENGTH		COMPLIANT TAIL TYPE (SEE NOTE 9)
	SIGNAL	GROUND	
1	2 MM	4 MM	0.55 (0.0217" DRILL)
2	3 MM	4 MM	0.55 (0.0217" DRILL)
3	2 MM	4 MM	0.45 MICRO (0.0177" DRILL)
4	3 MM	4 MM	0.45 MICRO (0.0177" DRILL)
5	2 MM	3 MM	0.55 (0.0217" DRILL)
6	3 MM	3 MM	0.55 (0.0217" DRILL)
7	2 MM	3 MM	0.45 MICRO (0.0177" DRILL)
8	3 MM	3 MM	0.45 MICRO (0.0177" DRILL)

FOR CUSTOM-LOADED MODULES, SEE INDIVIDUAL CUSTOM DRAWINGS WITH THE DRAWING-NUMBER FORMAT OF 10120132-XXXX, WHERE: "X" DENOTES MODULE TYPE PER CHART ON THIS SHEET "XXXX" IS A SEQUENTIAL NUMBER BEGINNING WITH "0001".

	UNGROUND	GROUND
FHS	∅2.35-∅2.55	∅2.35-∅2.55
PAD	N/A	∅5.50
PLATED	NO	YES
DRILL(mm)	2.44mm	2.58mm
DRILL(in)	0.096"	0.1015"

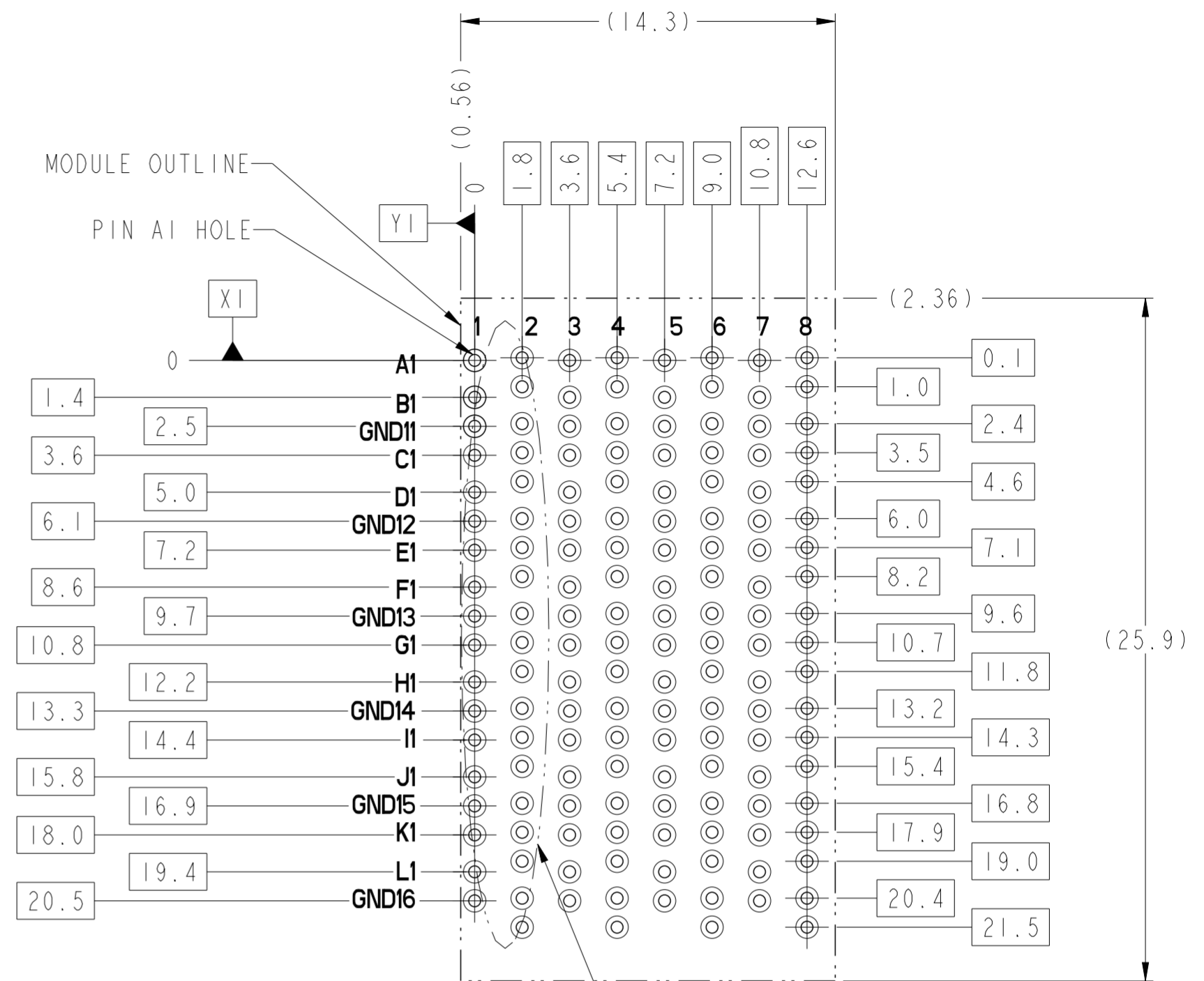
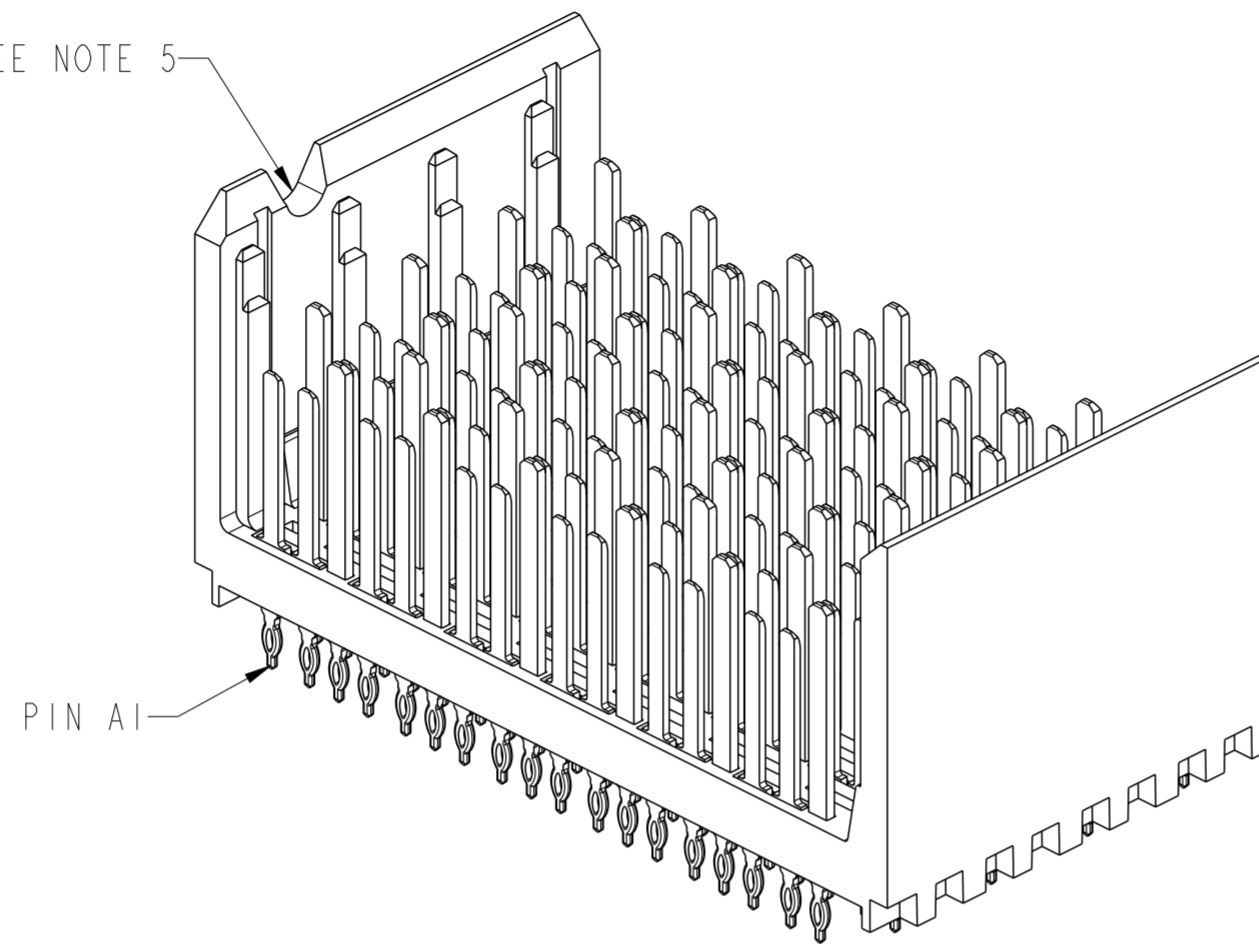
SCREW P/N	DESCRIPTION	BOARD THICKNESS
10091790-002LF	#2-56 X 0.375" LG. PHILIPS PANHEAD W/SQ CONICAL WASHER	1.60-5.00mm
10091790-003LF	#2-56 X 0.375" LG. PHILIPS PANHEAD W/SQ CONICAL WASHER	5.00-10.00mm

spec ref	-	dr	Yong-Keat Lim	2012/02/23	projection	MM	size	A2	scale	2:1	
tolerance std	ASME Y14.5	eng	Sandar Soe	2013/03/20	chr	-	ecn no	ELX-S-1429-1	rel level	Released	
surface	linear	appr	Chen-Hong Tan	2013/04/09	product family	XCEDE HD	cat. no.	-	Product - Customer Drw	sheet 1 of 8	
ASME Y14.5	angular	0°	±2°	0.X ±0.3	0.XX ±0.10	0.XXX ±0.05	www.fci.com	title	VERTICAL HEADER ASSEMBLY	rev	B
									XCEDE HD 6 PAIR, 8 COLUMN	10120132	



OPEN WALL MODULE

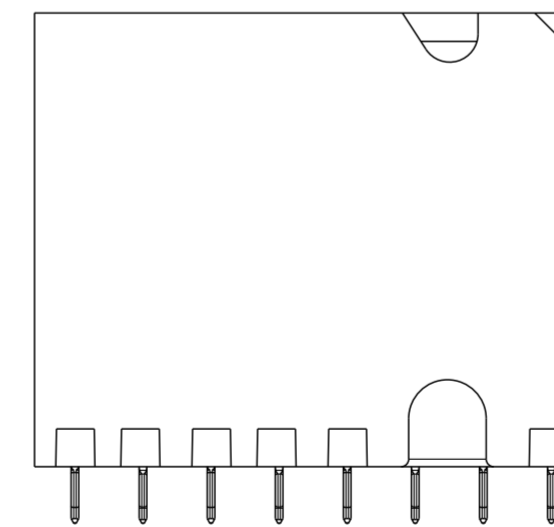
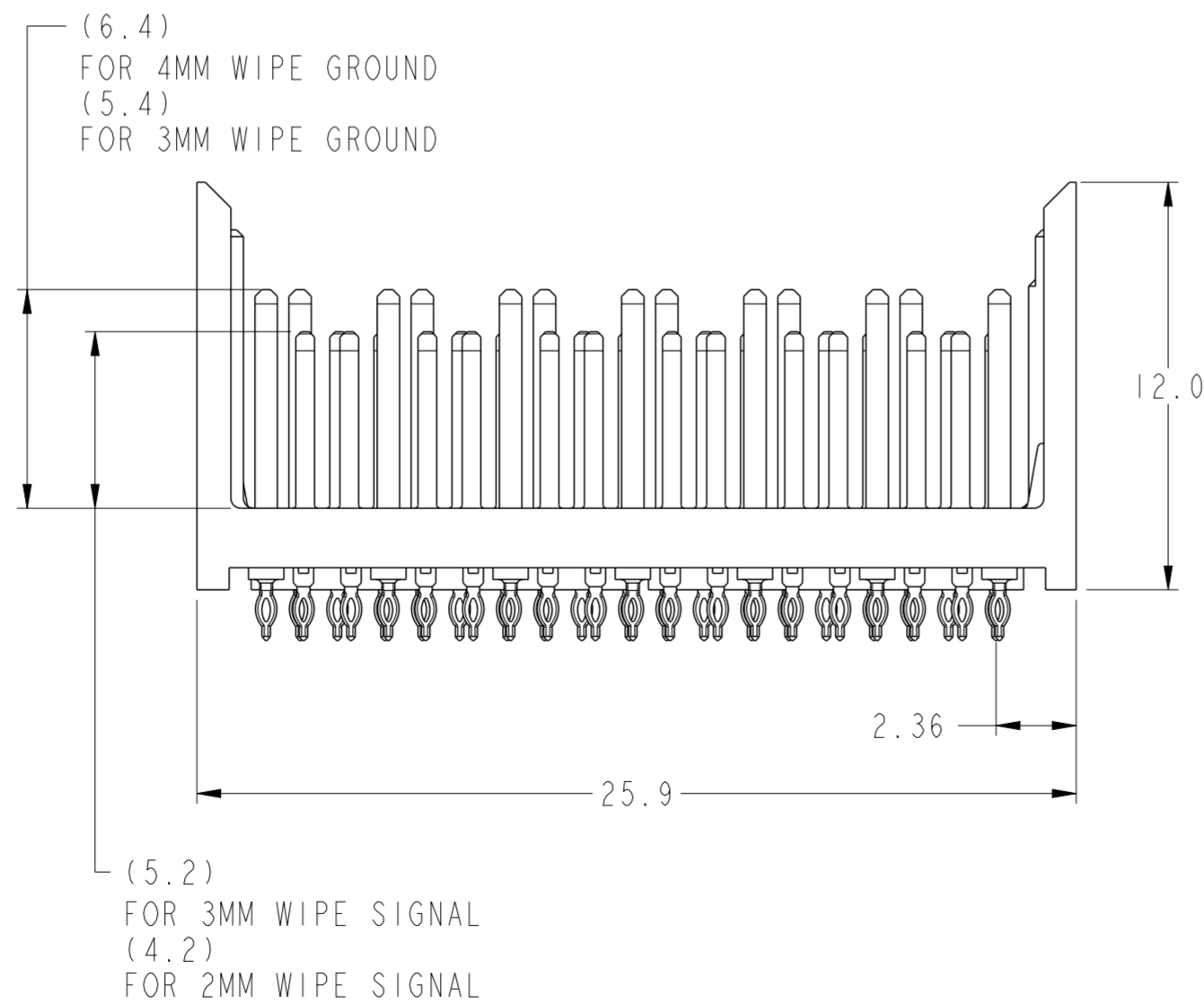
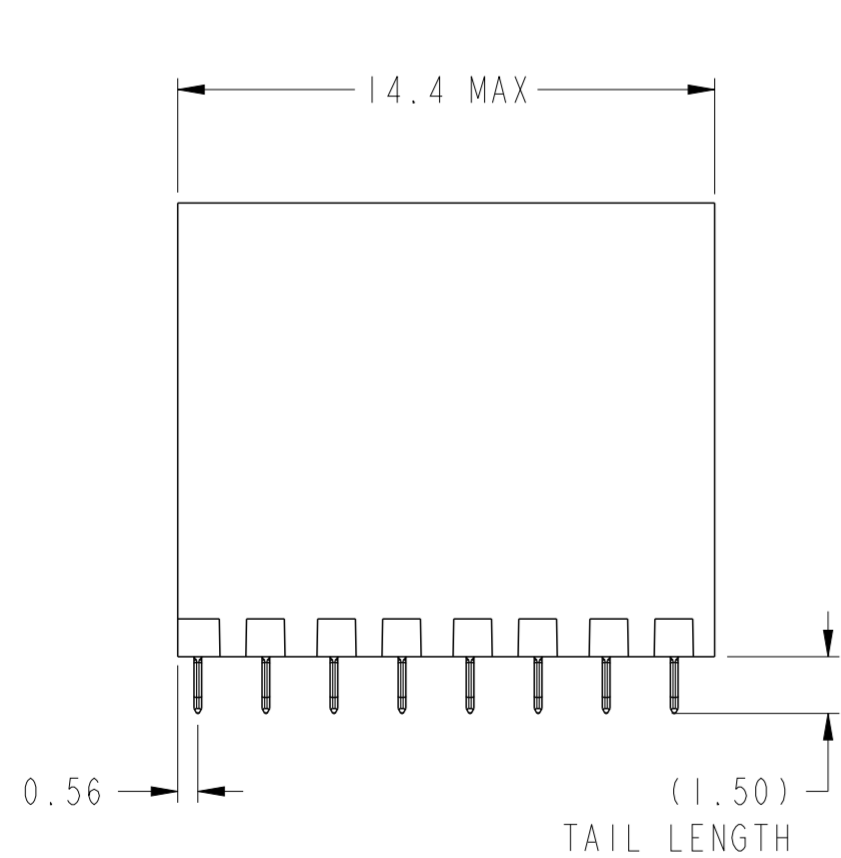
SEE NOTE 5



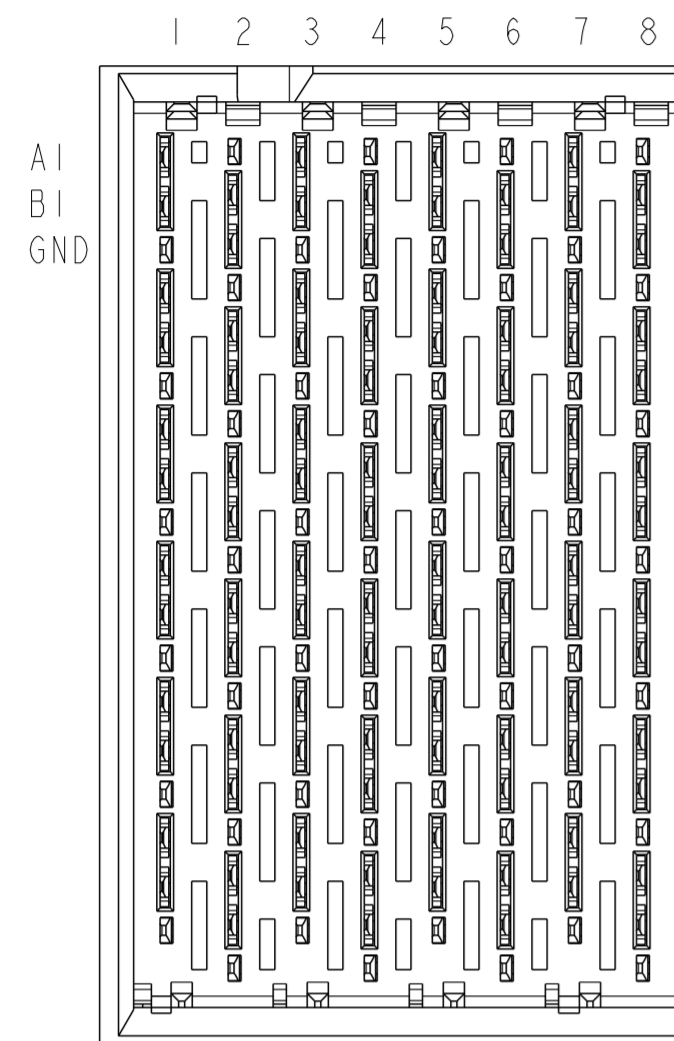
SEE DETAIL A ON SHEET 8 FOR PINOUT DETAILS

BP HOLE PATTERN COMPONENT SIDE

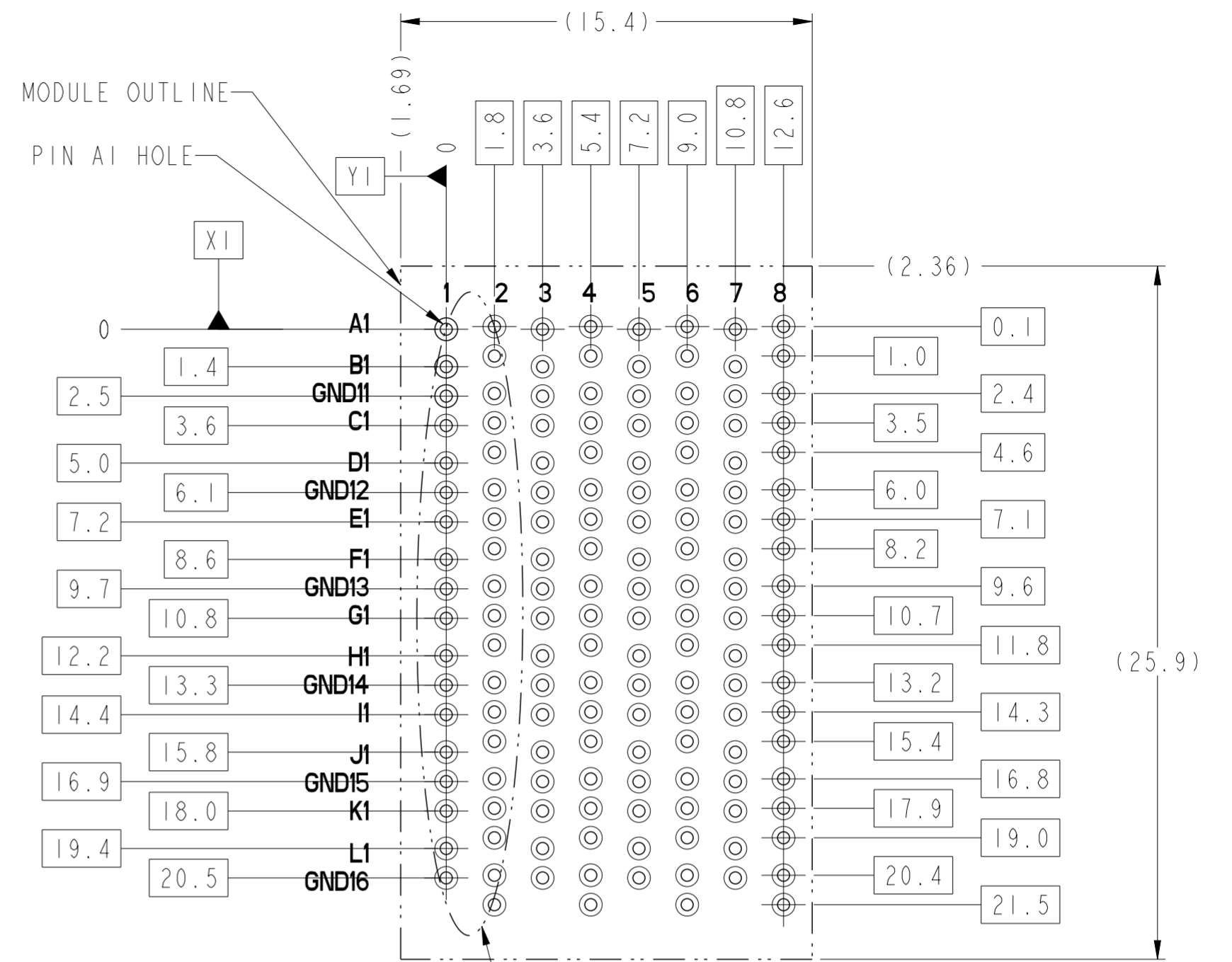
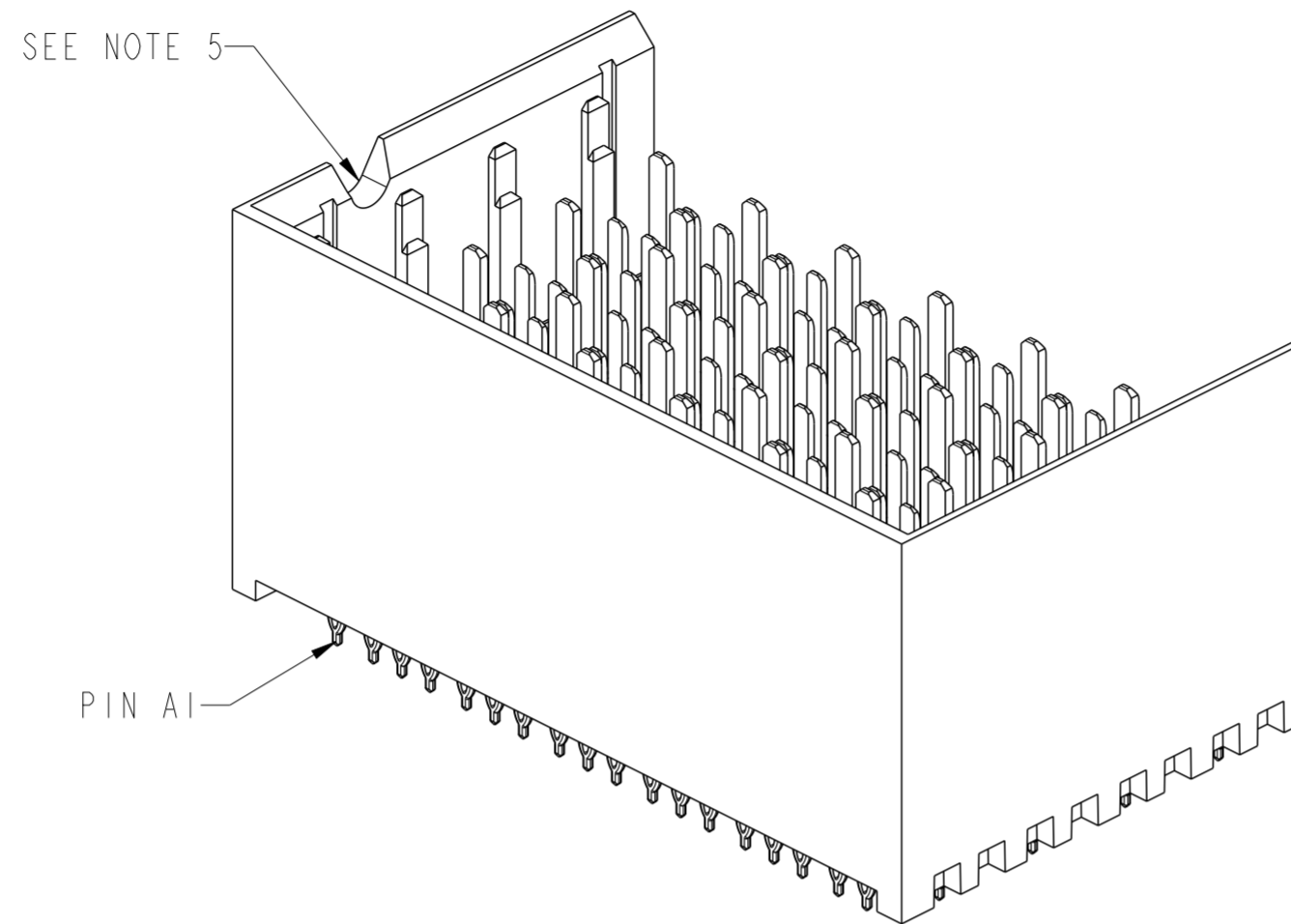
OPEN WALL MODULE BACKPLANE FOOTPRINT



spec ref	-	dr	Yong-Keat Lim	2012/02/23	projection	MM	size	A2	scale	5:1							
tolerance std	ASME Y14.5	eng	Sandar Soe	2013/03/20			ecn no	ELX-8-14229-1									
TOLERANCES UNLESS OTHERWISE SPECIFIED		chr	-	rel level			Released										
surface	<table border="1"> <tr> <td>linear</td> <td>0.X</td> <td>±0.3</td> </tr> <tr> <td></td> <td>0.XX</td> <td>±0.10</td> </tr> <tr> <td></td> <td>0.XXX</td> <td>±0.05</td> </tr> </table>	linear	0.X	±0.3		0.XX	±0.10		0.XXX	±0.05	appr	Chen-Hong Tan	2013/04/09	product family	XCEDE HD	rel level	Released
linear	0.X	±0.3															
	0.XX	±0.10															
	0.XXX	±0.05															
ASME Y14.5	<table border="1"> <tr> <td>angular</td> <td>0°</td> <td>±2°</td> </tr> </table>	angular	0°	±2°	www.fci.com	cat. no.	-	Product - Customer Drw	sheet 2 of 8								
angular	0°	±2°															



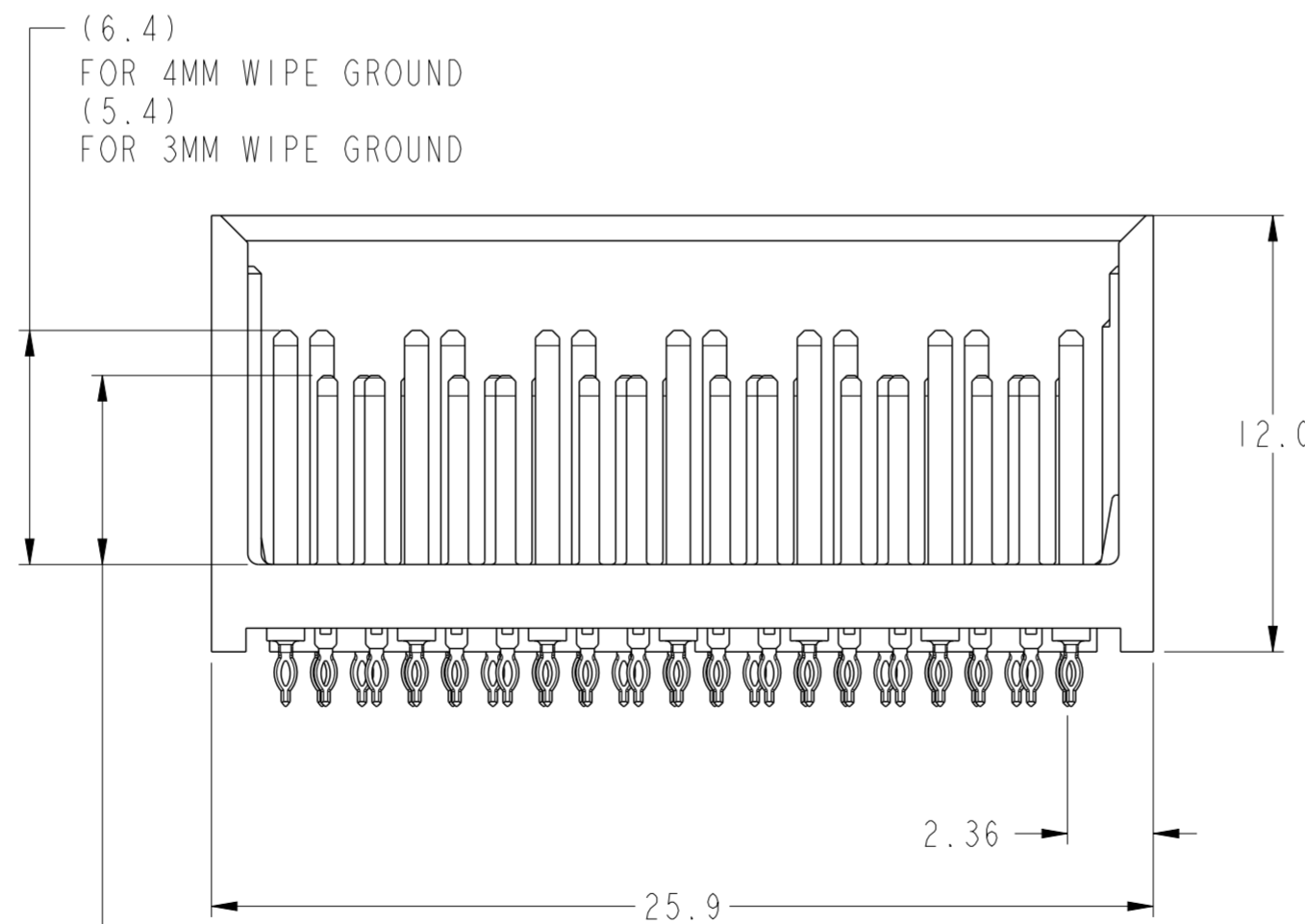
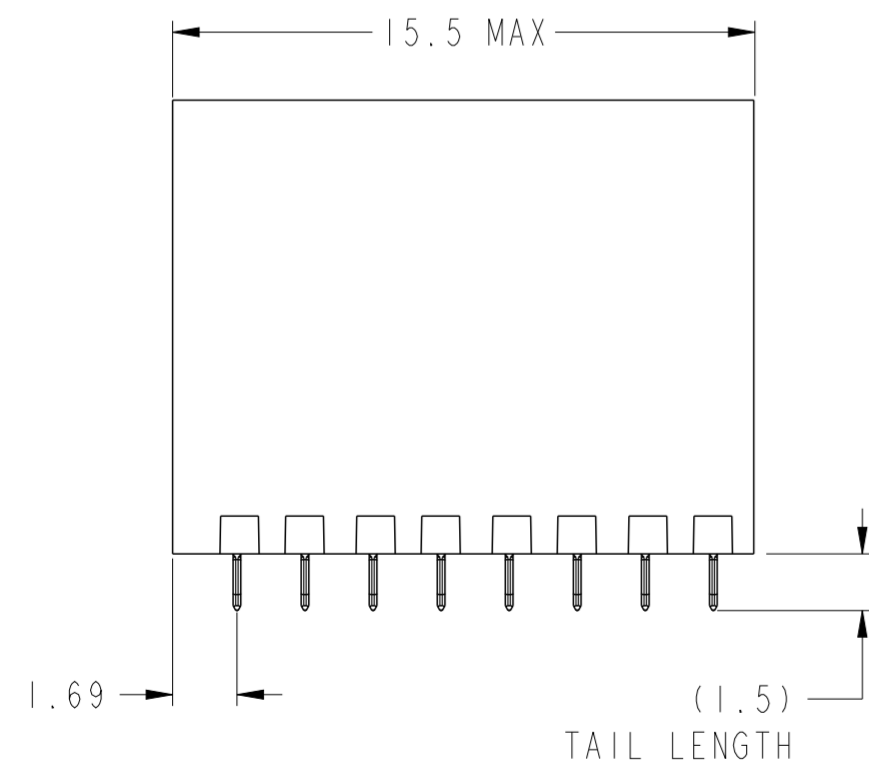
LEFT WALL MODULE



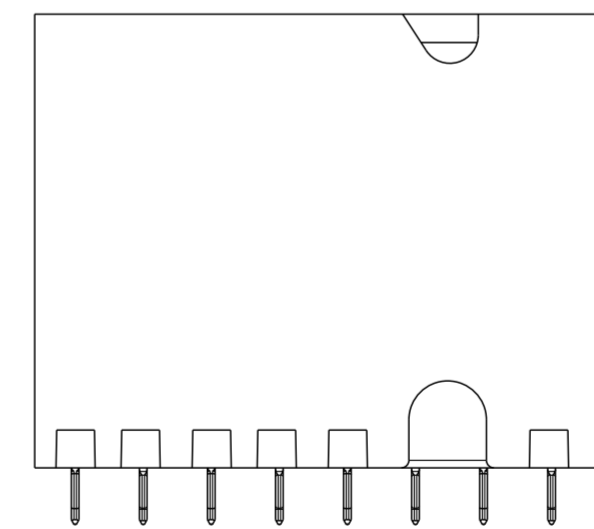
SEE DETAIL A
ON SHEET 8 FOR PINOUT DETAILS

BP HOLE PATTERN COMPONENT SIDE

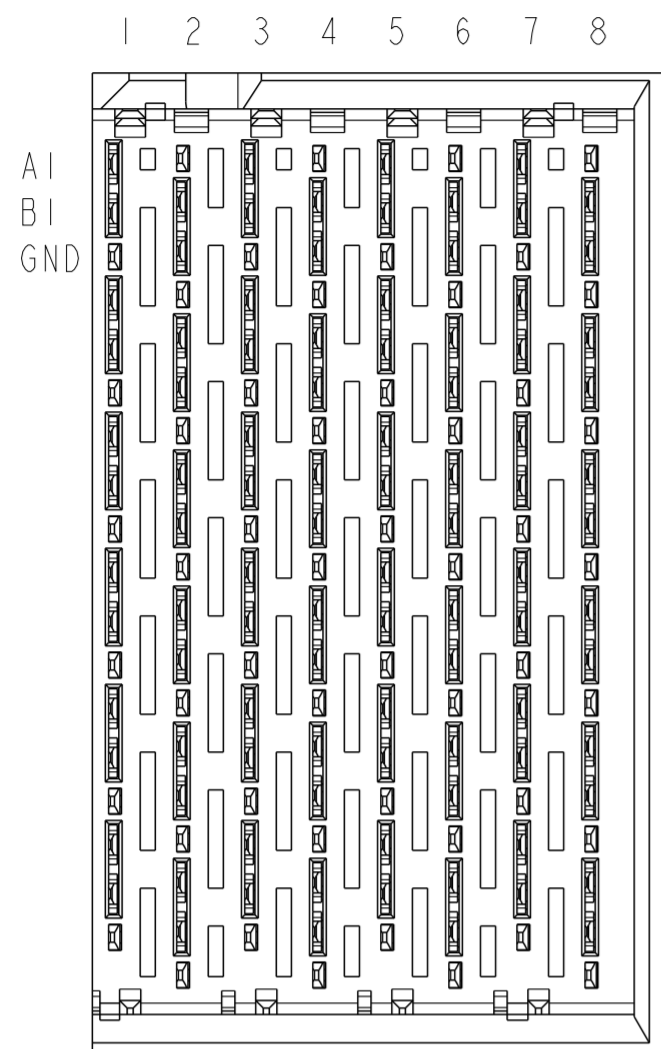
LEFT WALL MODULE BACKPLANE FOOTPRINT



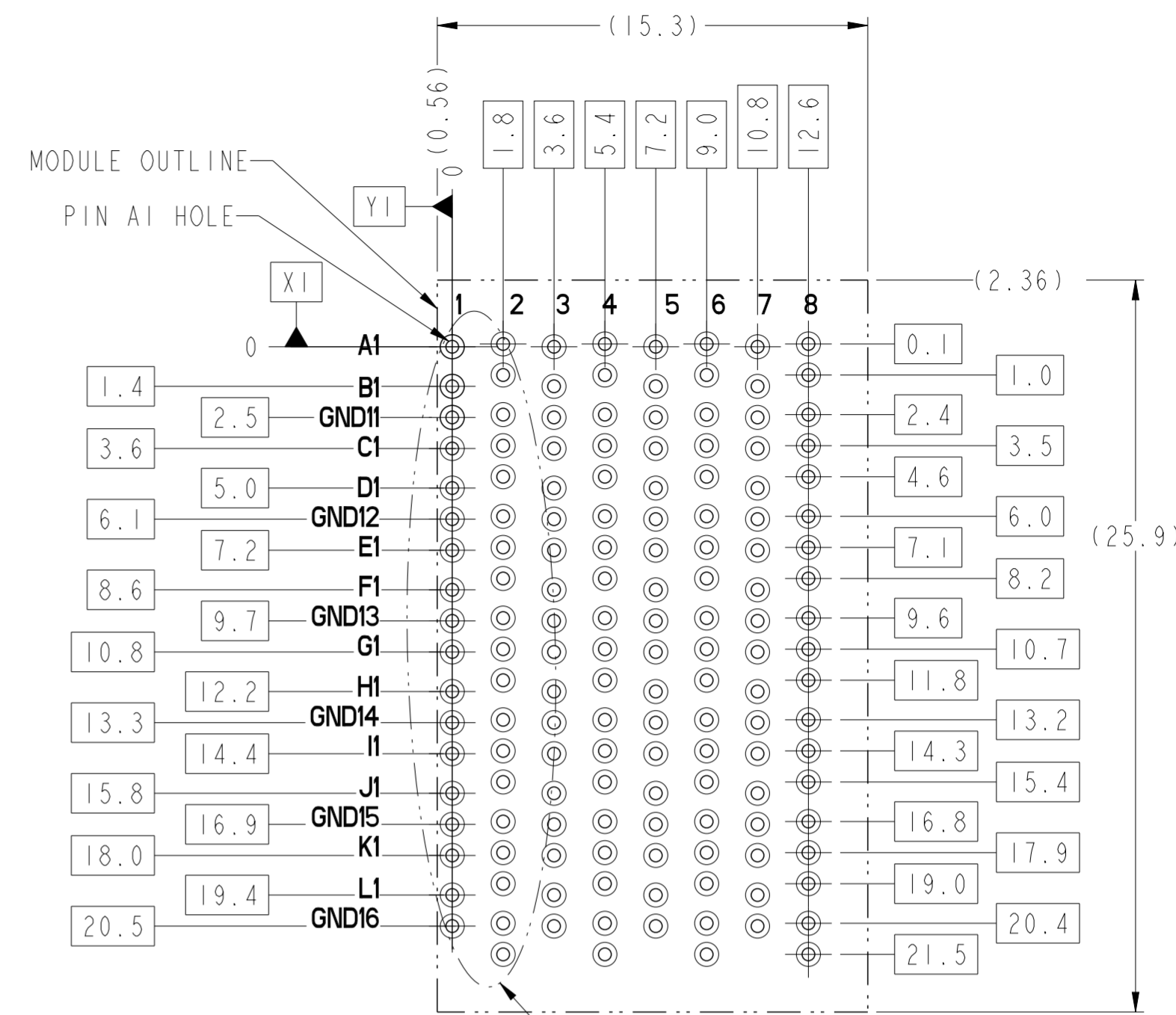
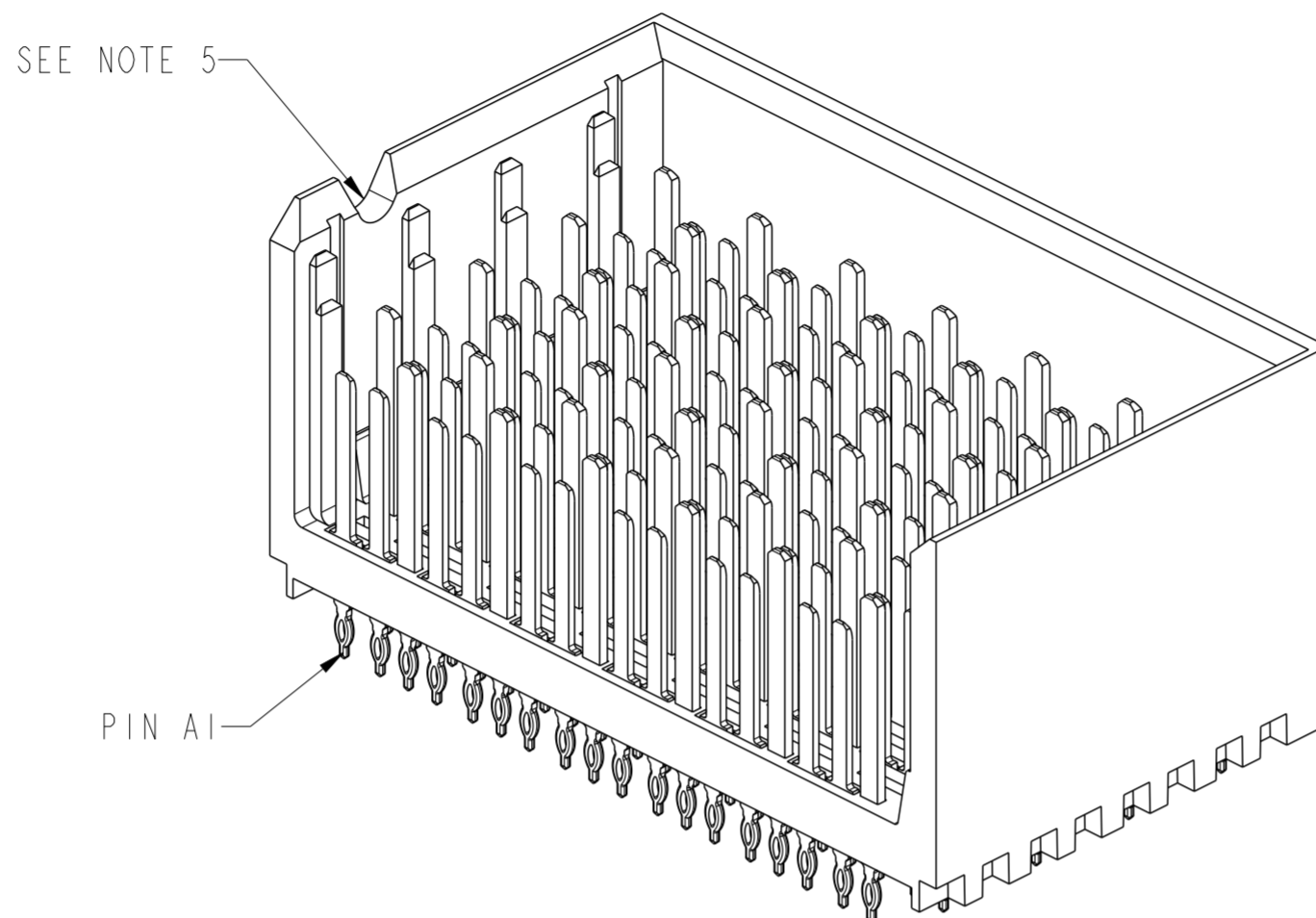
(5.2)
FOR 4MM WIPE SIGNAL
(4.2)
FOR 3MM WIPE SIGNAL



spec ref	-	dr	Yong-Keat Lim	2012/02/23	projection	MM	size	A2	scale	5:1	
tolerance std	ASME Y14.5	eng	Sandar Soe	2013/03/20	chr	-	ecn no	ELX-8-14229-1	rel level	Released	
surface	✓	appr	Chen-Hong Tan	2013/04/09	product family	XCEDE HD	rel level	Blue	cat. no.	10120132	
ASME Y14.5	linear	0.X	±0.3	0.XX	±0.10	0.XXX	±0.05	angular	0°	±2°	
		www.fci.com		title		VERTICAL HEADER ASSEMBLY		XCEDE HD 6 PAIR, 8 COLUMN		rev	B
				Product - Customer Drw		sheet 3 of 8					

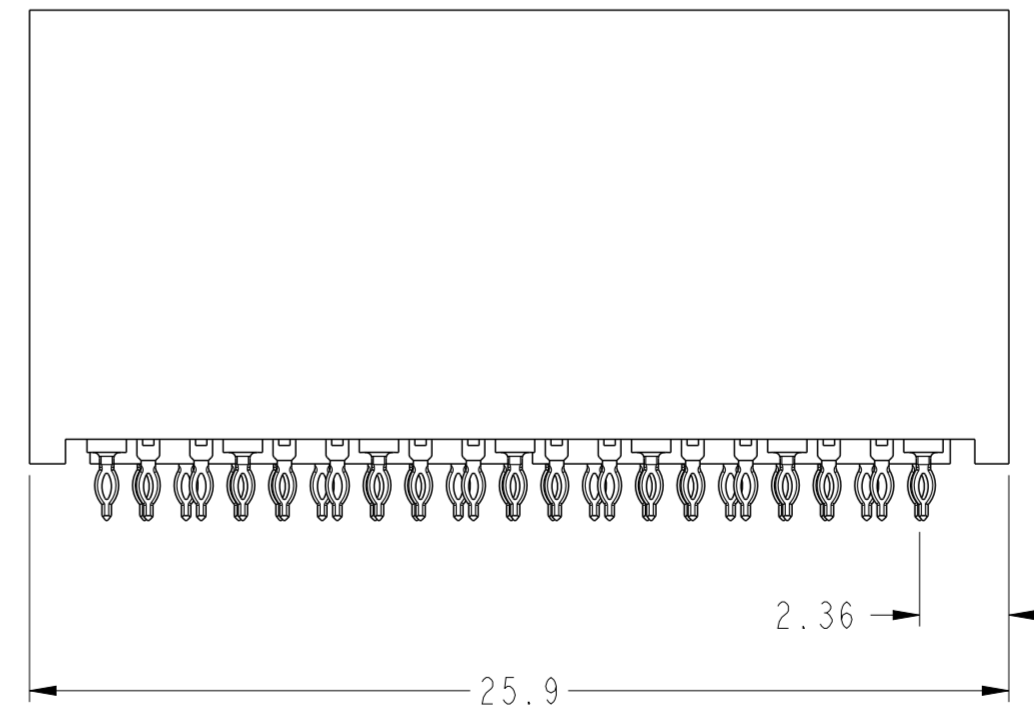
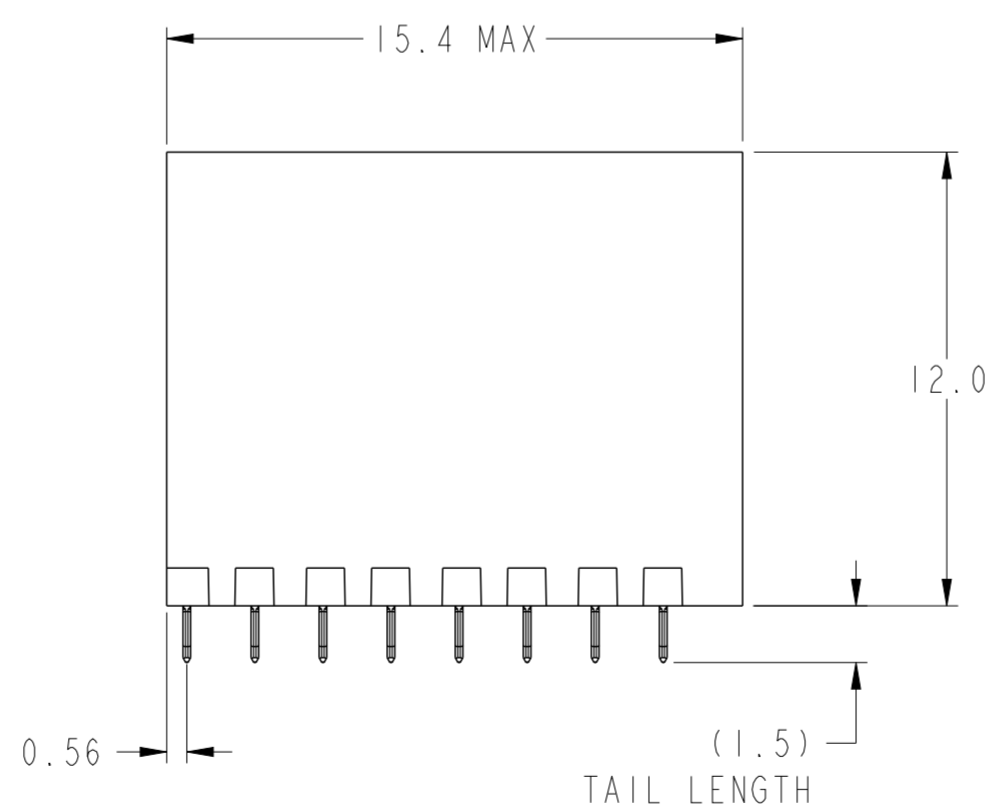
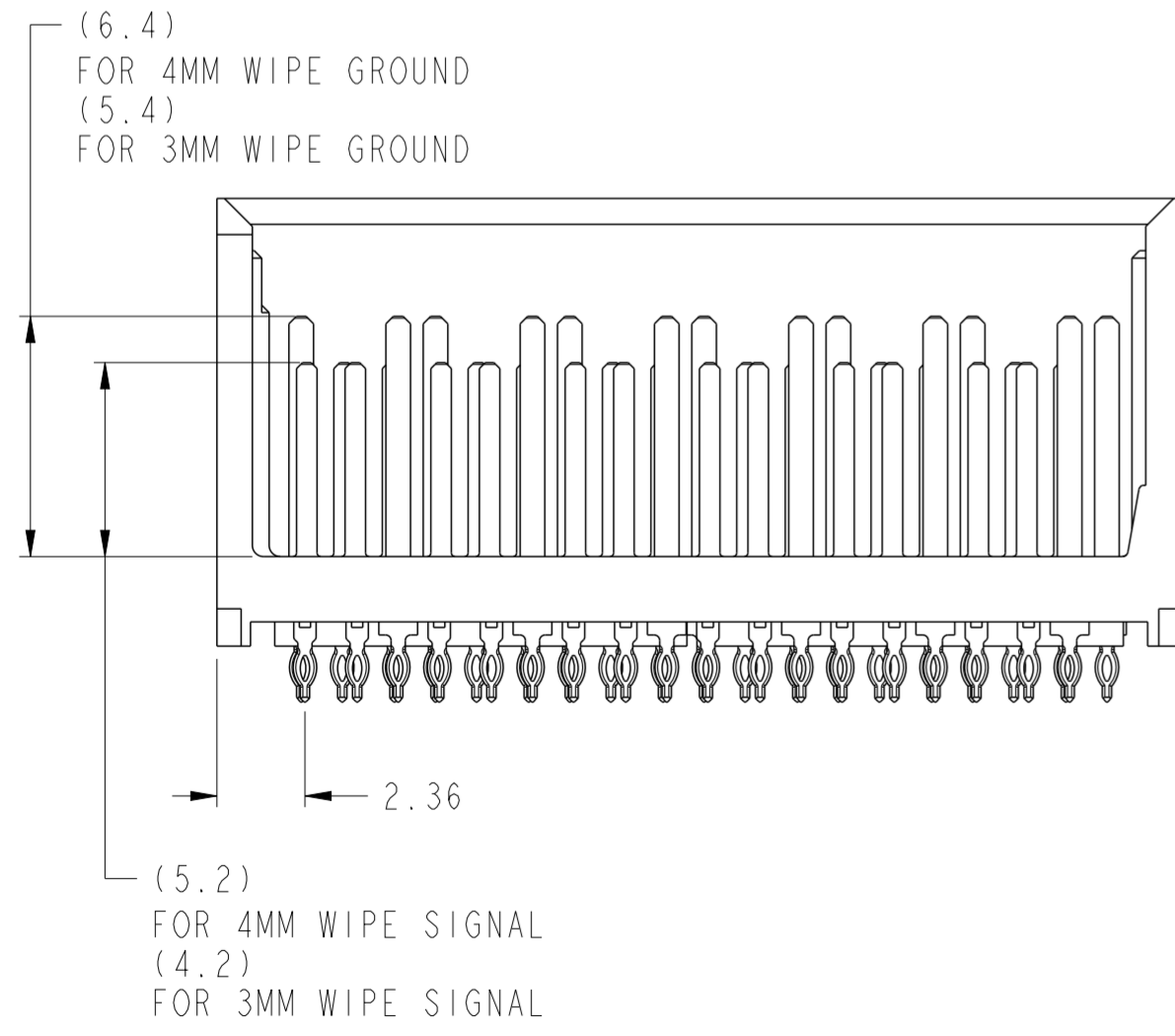


RIGHT WALL MODULE



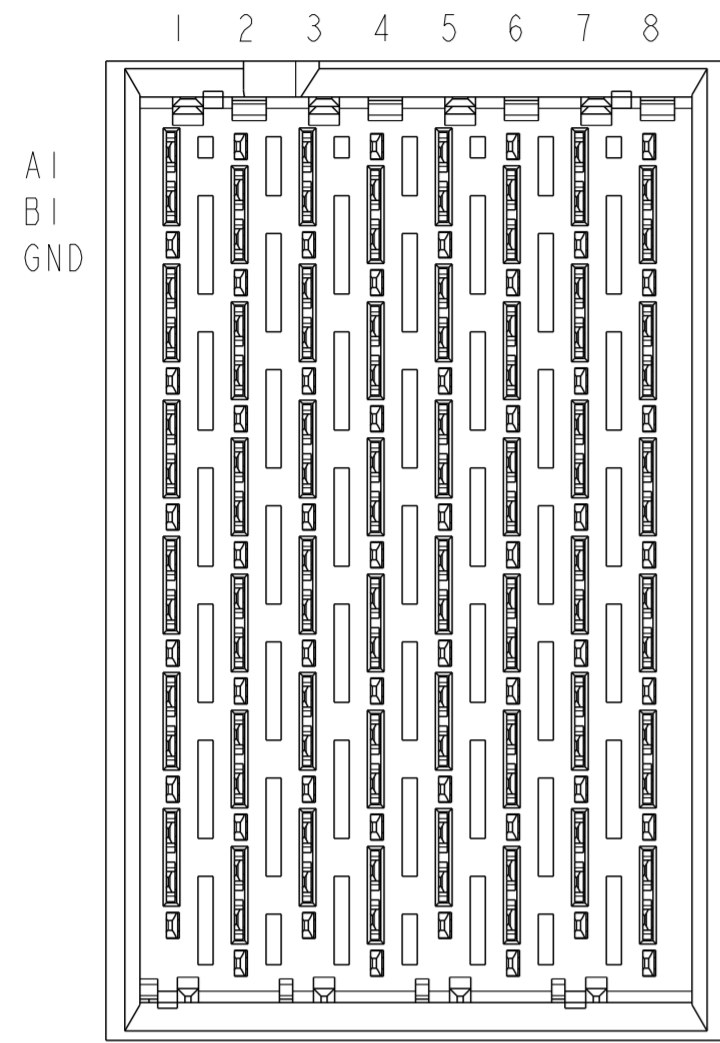
SEE DETAIL A ON SHEET 8 FOR PINOUT DETAILS

BP HOLE PATTERN COMPONENT SIDE
RIGHT WALL MODULE BACKPLANE FOOTPRINT



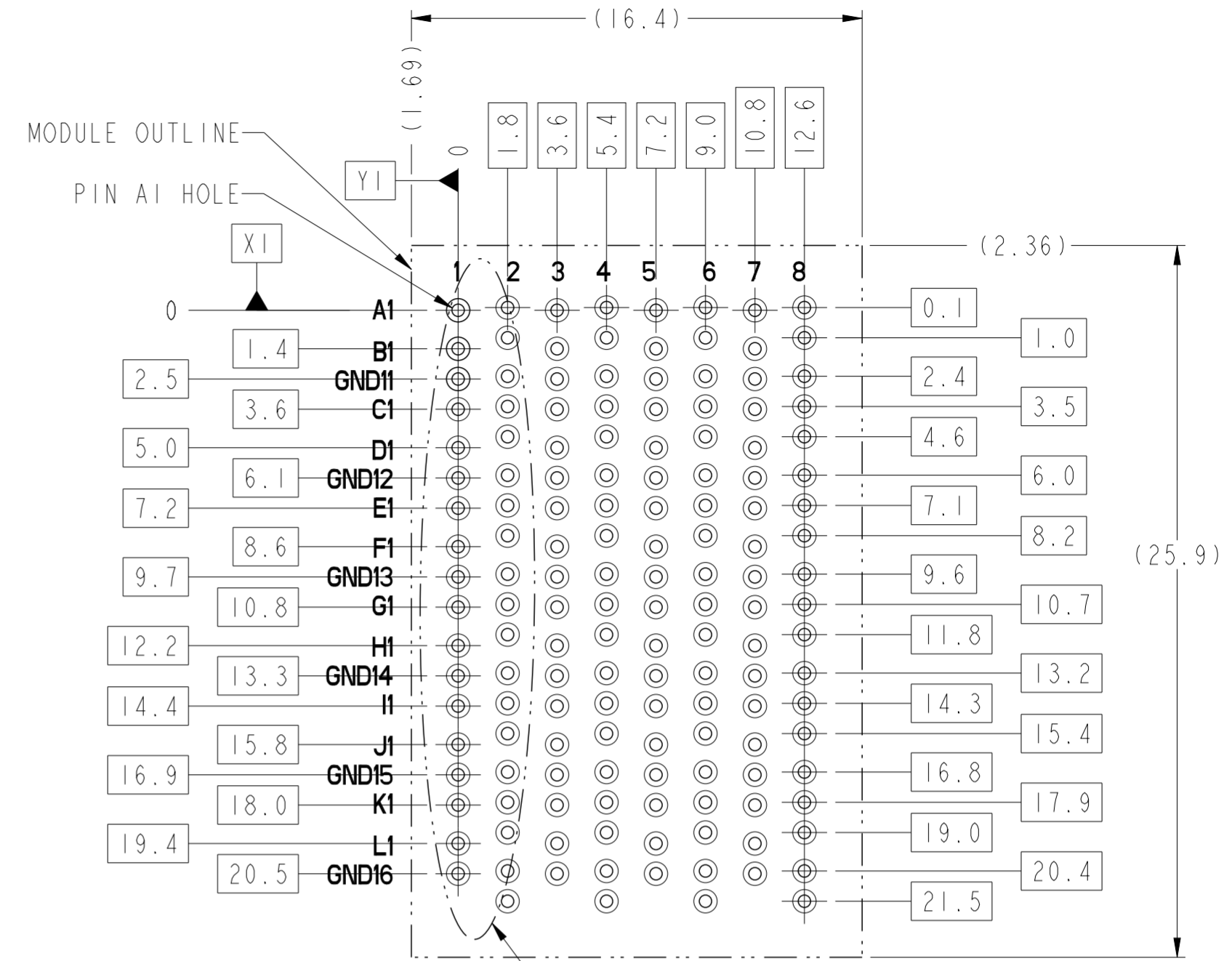
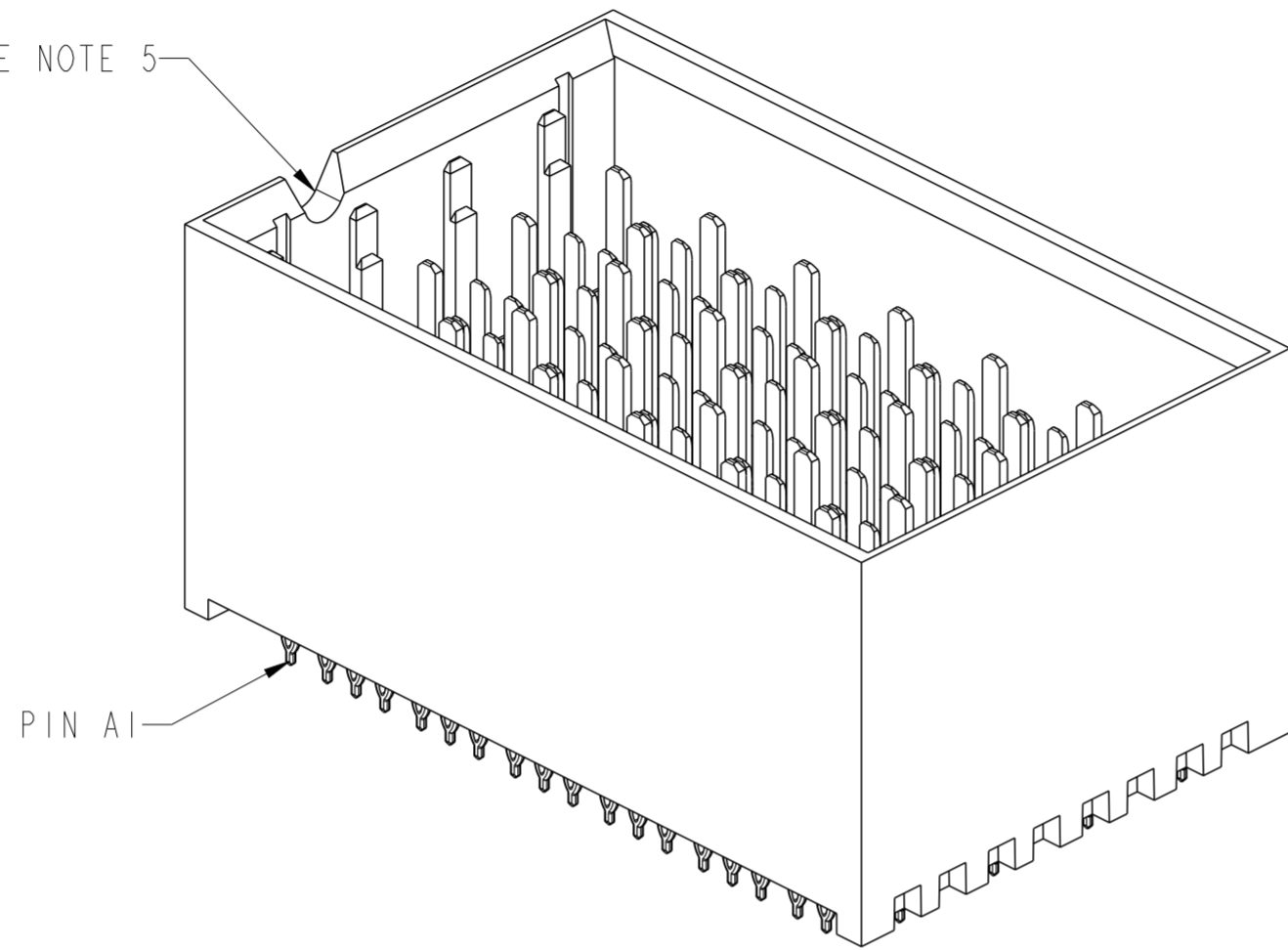
Copyright FCI.

spec ref	-	dr	Yong-Keat Lim	2012/02/23	projection	MM	size	A2	scale	5:1															
tolerance std	ASME Y14.5	eng	Sandar Soe	2013/03/20			ecn no	ELX-8-14229-1																	
TOLERANCES UNLESS OTHERWISE SPECIFIED		chr	-	rel level			Released																		
surface	<table border="1"> <tr> <td>linear</td> <td>0.X</td> <td>±0.3</td> </tr> <tr> <td></td> <td>0.XX</td> <td>±0.10</td> </tr> <tr> <td></td> <td>0.XXX</td> <td>±0.05</td> </tr> <tr> <td>angular</td> <td>0°</td> <td>±2°</td> </tr> </table>	linear	0.X	±0.3		0.XX	±0.10		0.XXX	±0.05	angular	0°	±2°	appr	Chen-Hong Tan	2013/04/09	product family	XCEDE HD	rel level	Released	<table border="1"> <tr> <td>dwg no</td> <td>10120132</td> </tr> <tr> <td>rev</td> <td>B</td> </tr> </table>	dwg no	10120132	rev	B
linear	0.X	±0.3																							
	0.XX	±0.10																							
	0.XXX	±0.05																							
angular	0°	±2°																							
dwg no	10120132																								
rev	B																								
www.fci.com		cat. no.		Product - Customer Drw		sheet 4 of 8																			



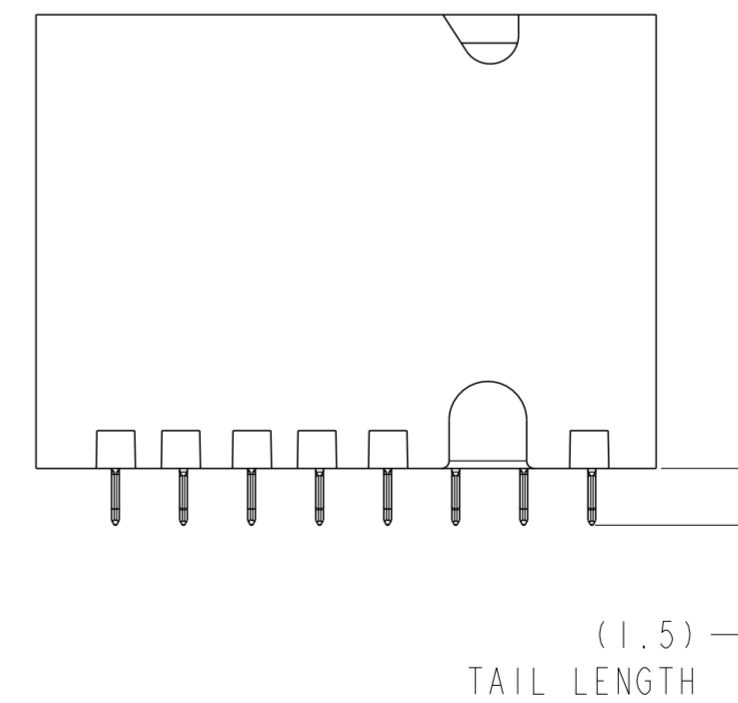
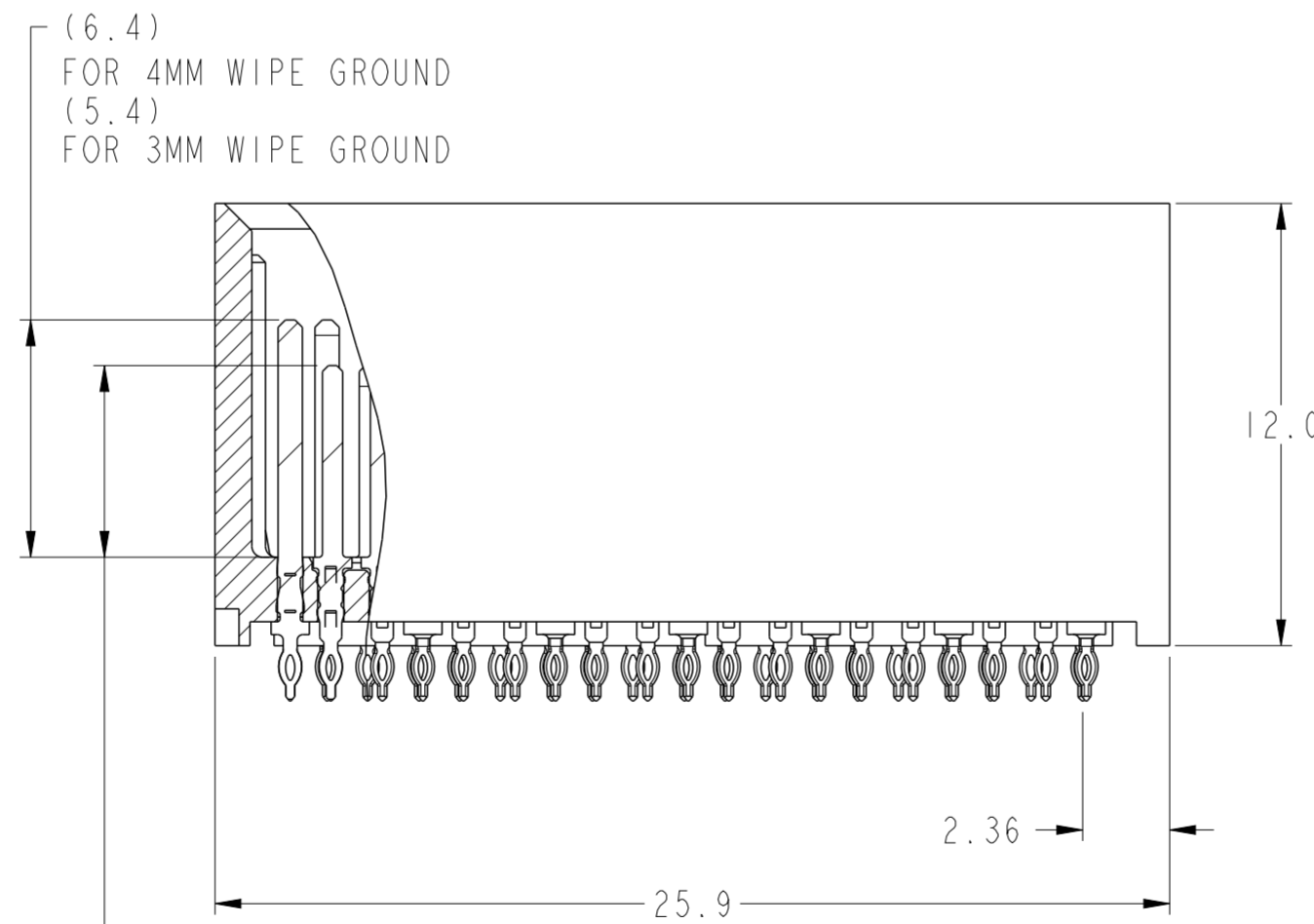
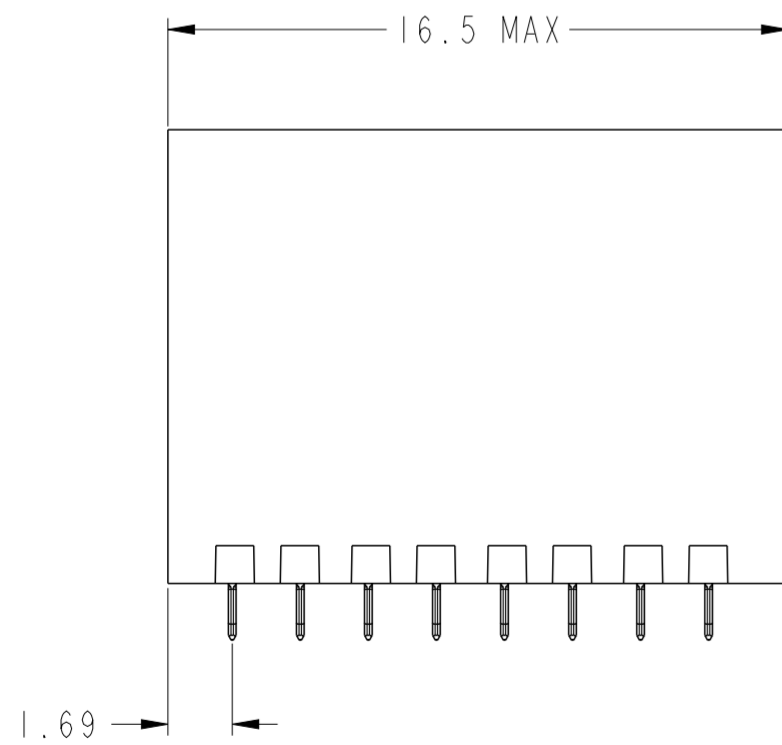
FOUR WALL MODULE

SEE NOTE 5

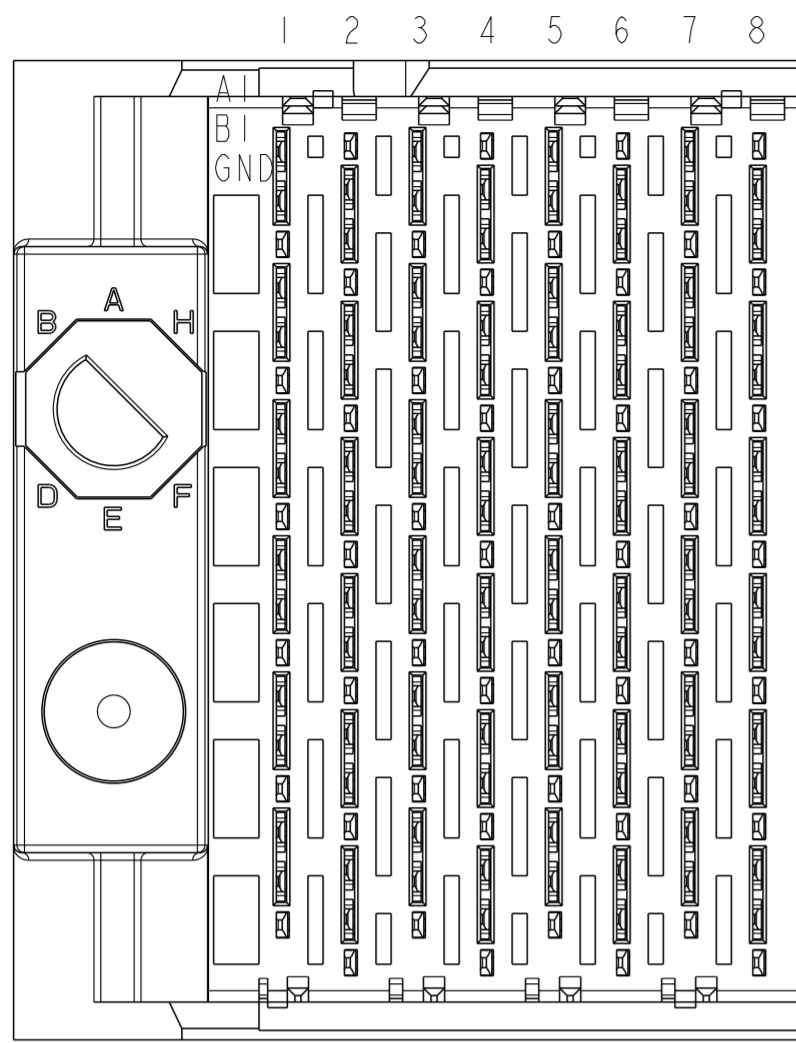


BP HOLE PATTERN COMPONENT SIDE

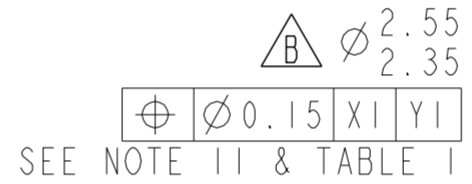
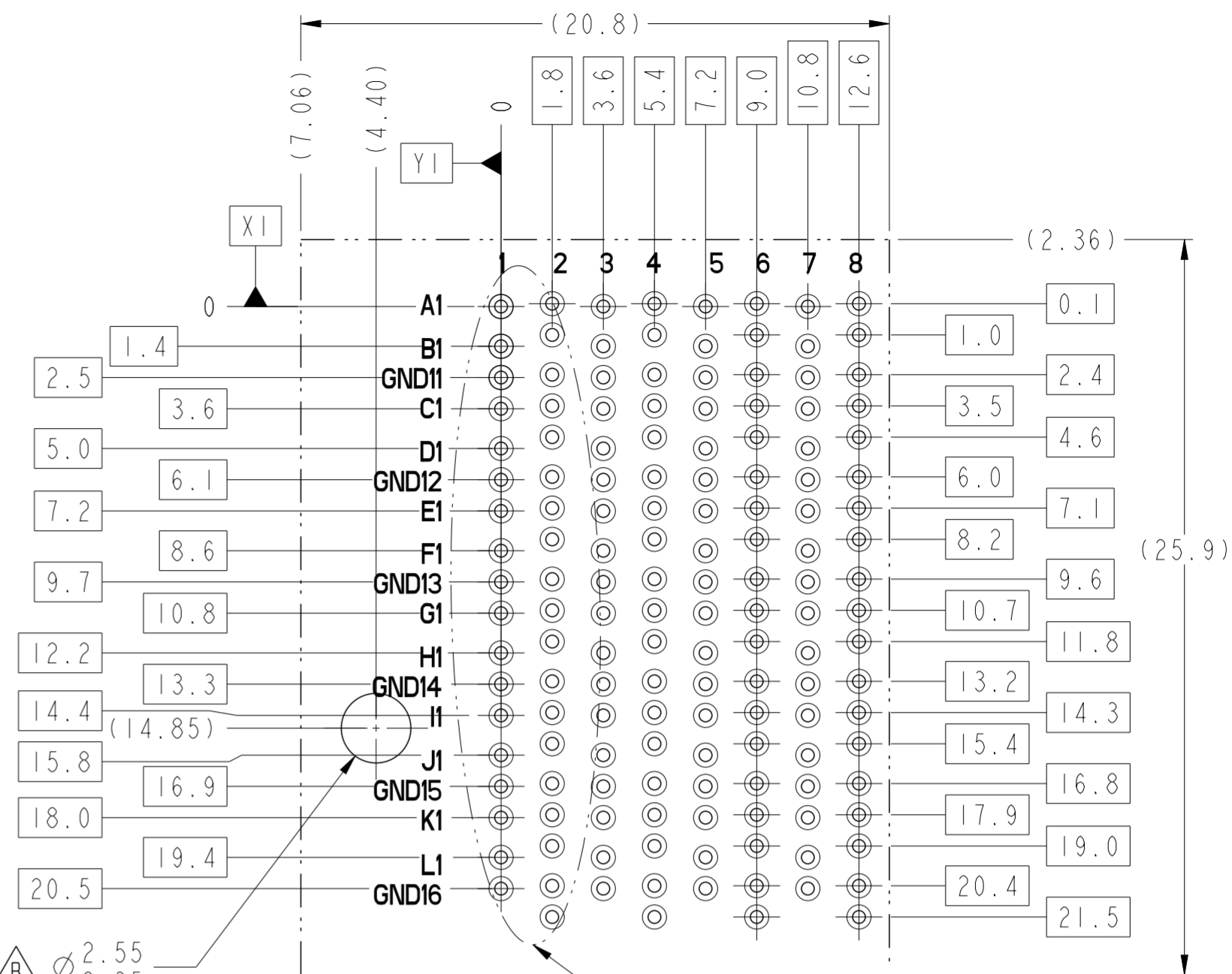
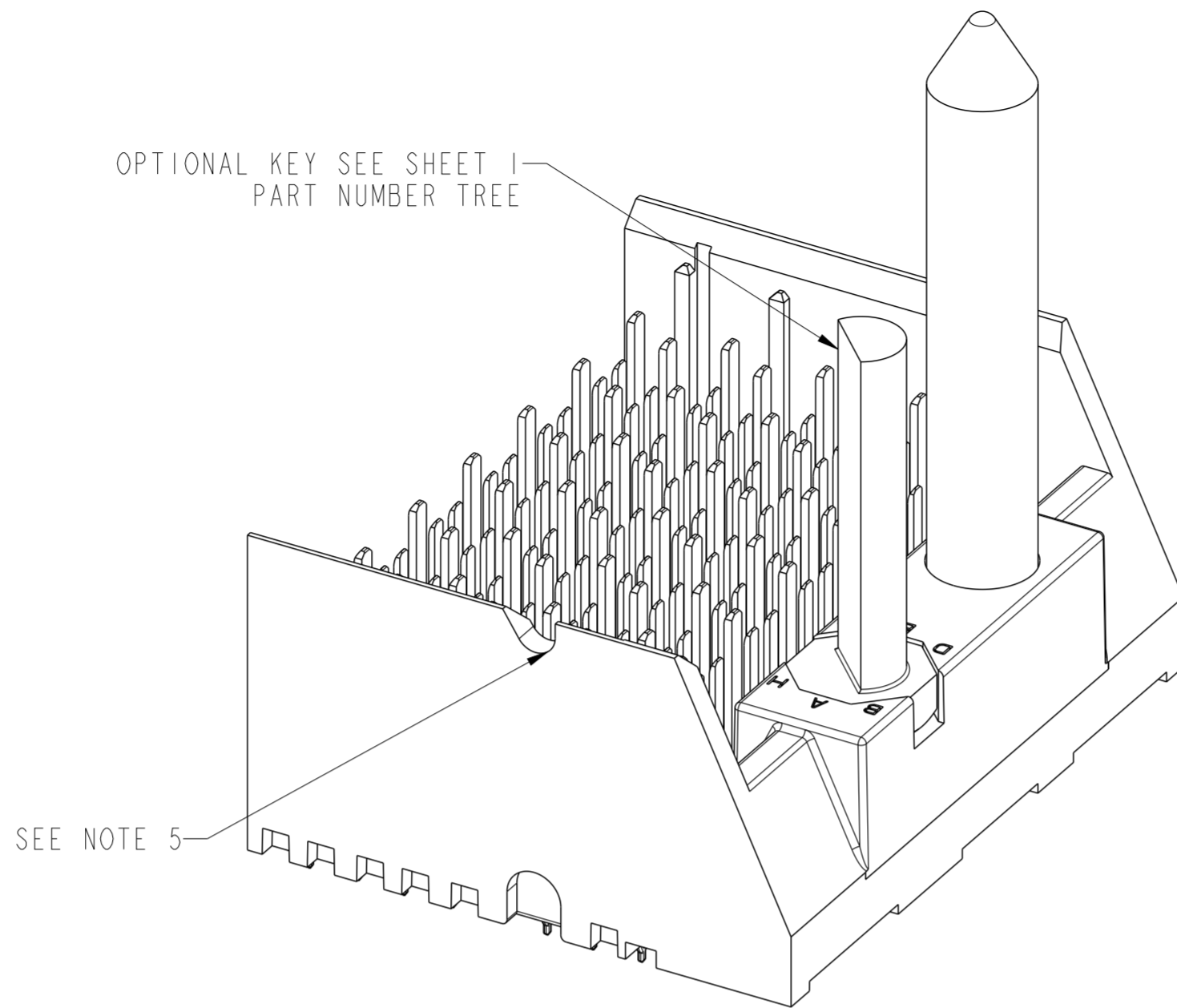
FOUR WALL MODULE BACKPLANE FOOTPRINT



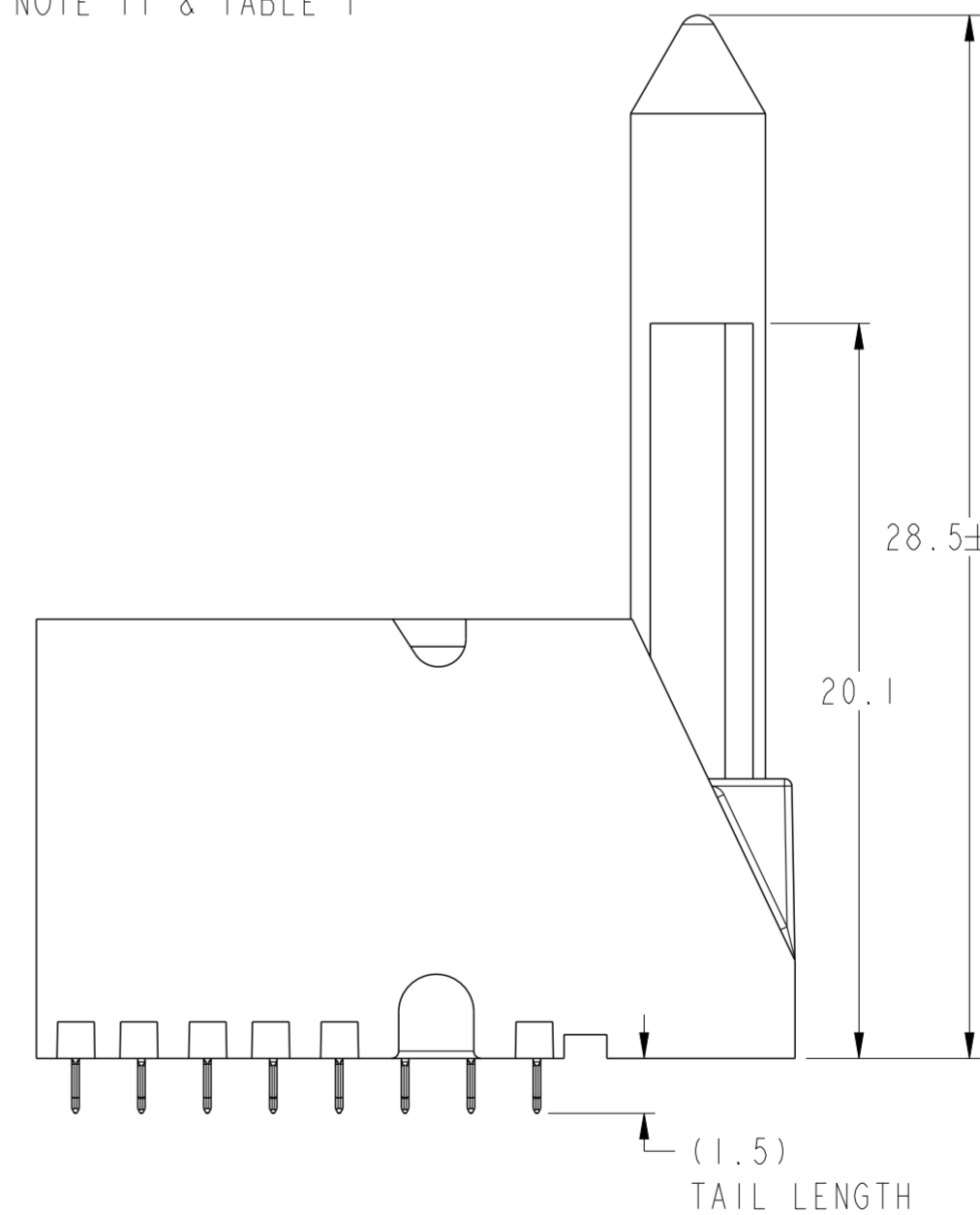
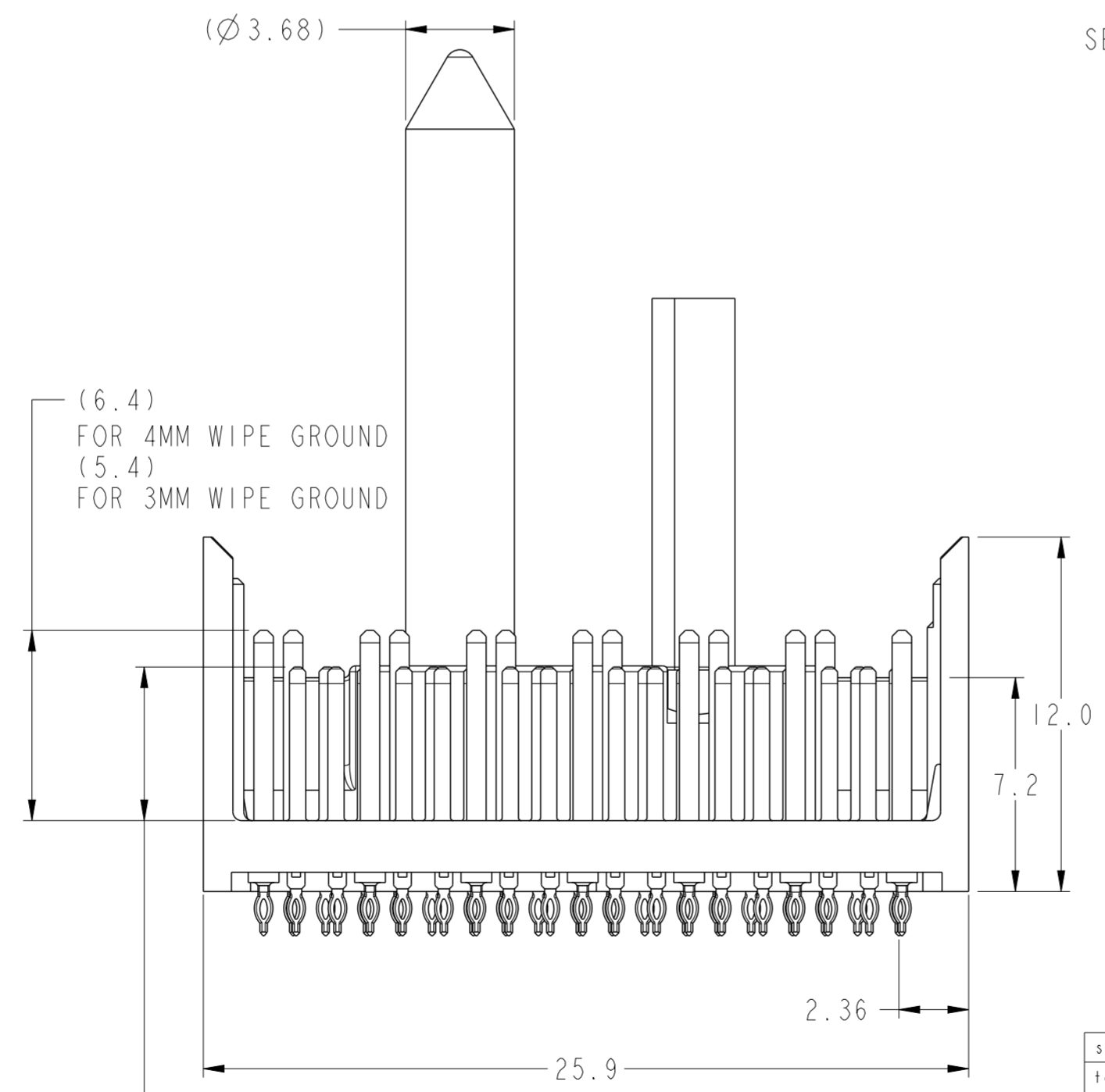
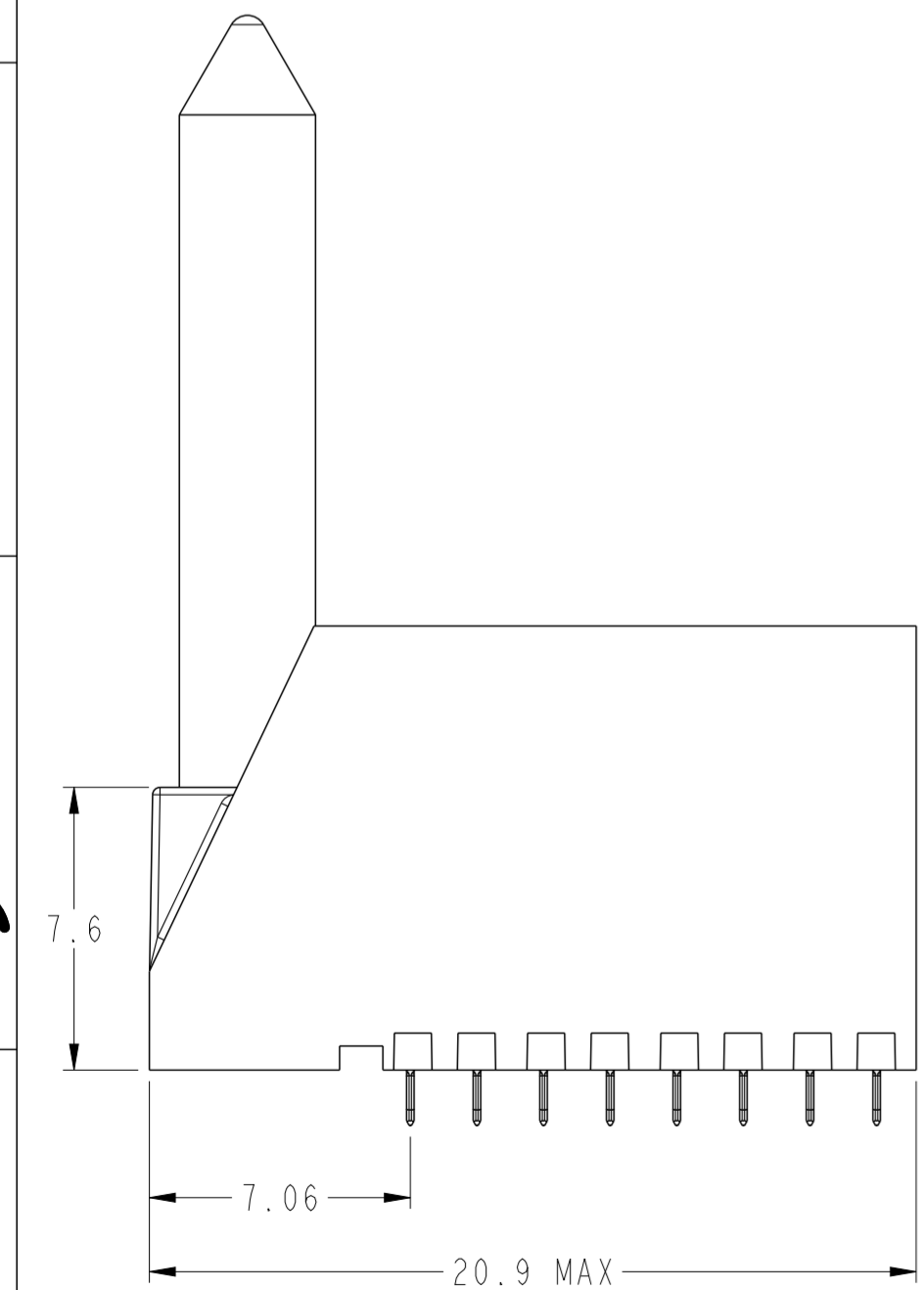
spec ref	-	dr	Yong-Keat Lim	2012/02/23	projection	MM	size	A2	scale	5:1
tolerance std	ASME Y14.5	eng	Sandar Soe	2013/03/20			ecn no	ELX-8-14229-1	rel level	Released
TOLERANCES UNLESS OTHERWISE SPECIFIED		chr	-	product family						
surface	linear	0.X	±0.3		VERTICAL HEADER ASSEMBLY XCEDE HD 6 PAIR, 8 COLUMN	dwg no 10120132	rev B	Product - Customer Drw		
	angular	0°	±2°					cat. no.	-	sheet 5 of 8



LEFT POLARIZING / GUIDE MODULE



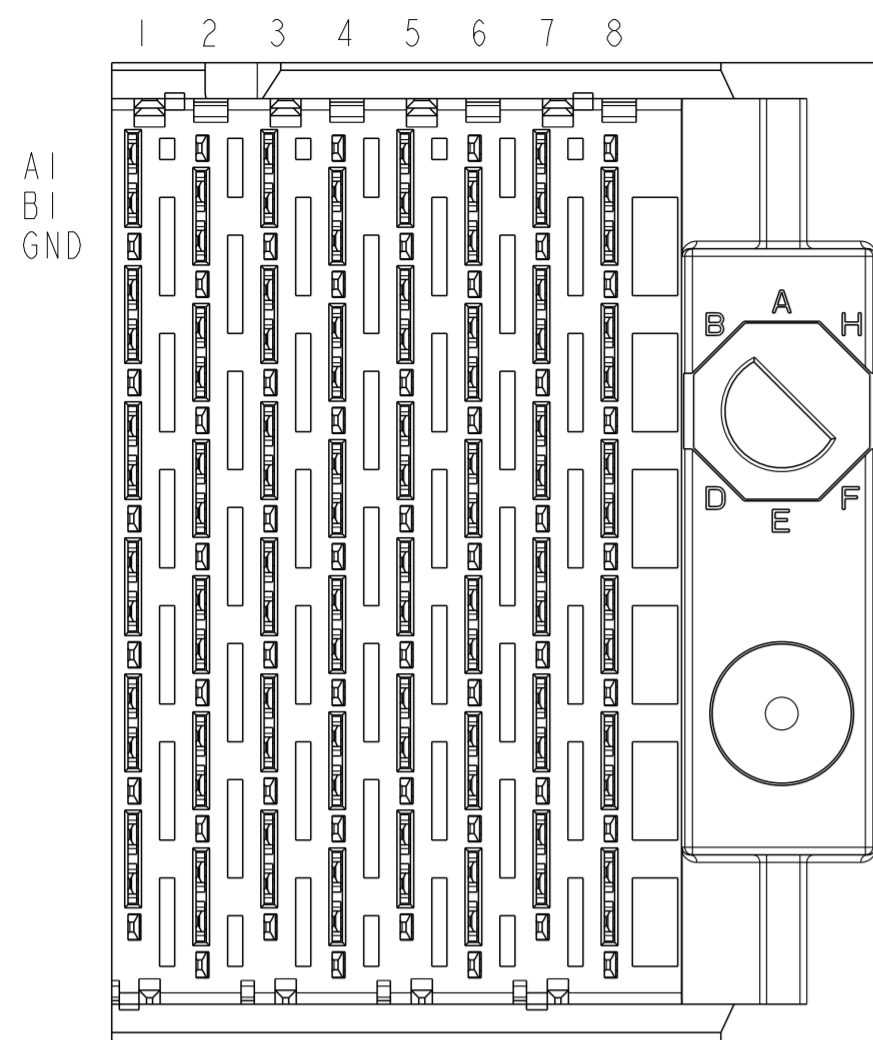
SEE DETAIL A ON SHEET 8 FOR PINOUT DETAILS



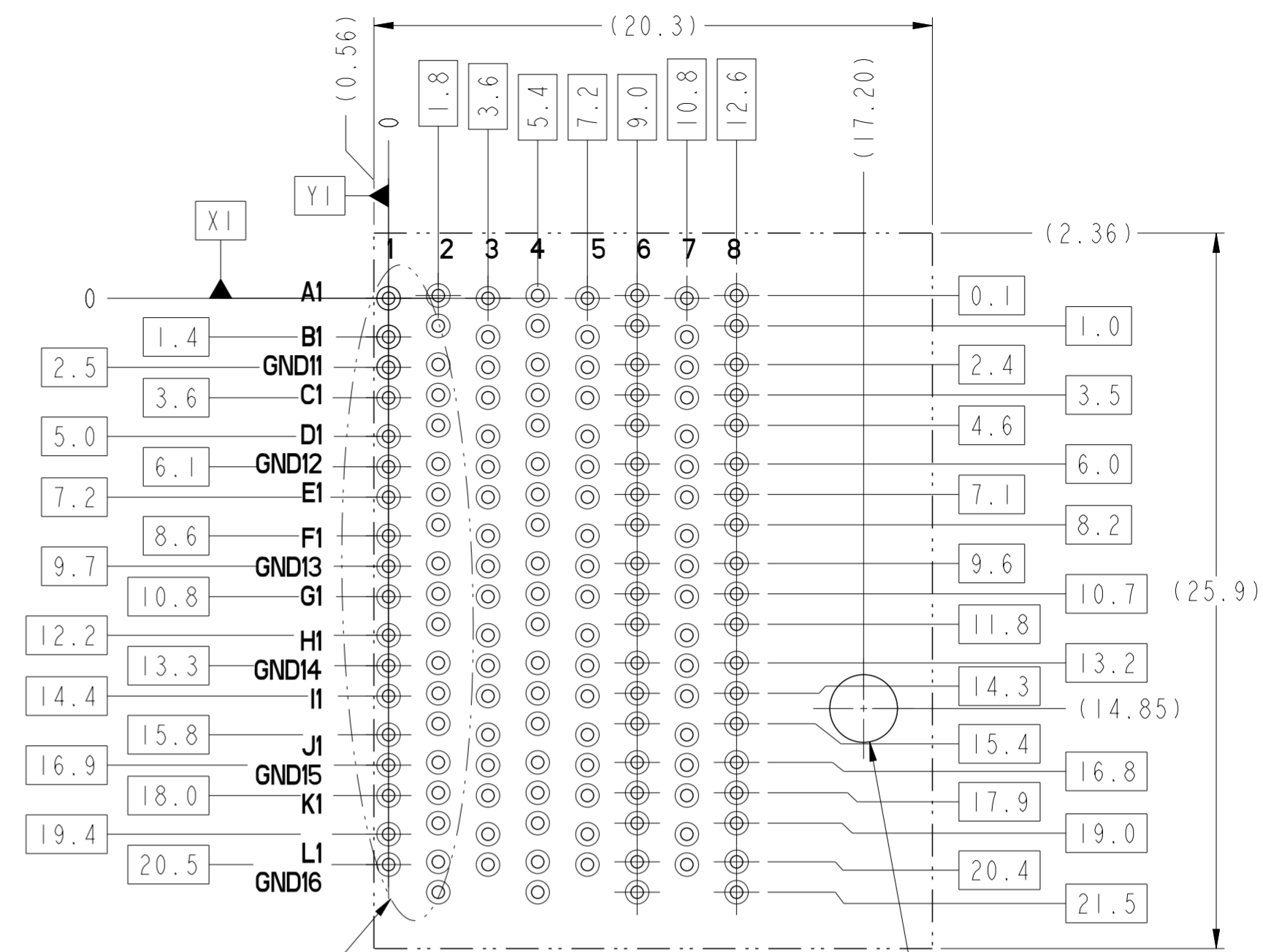
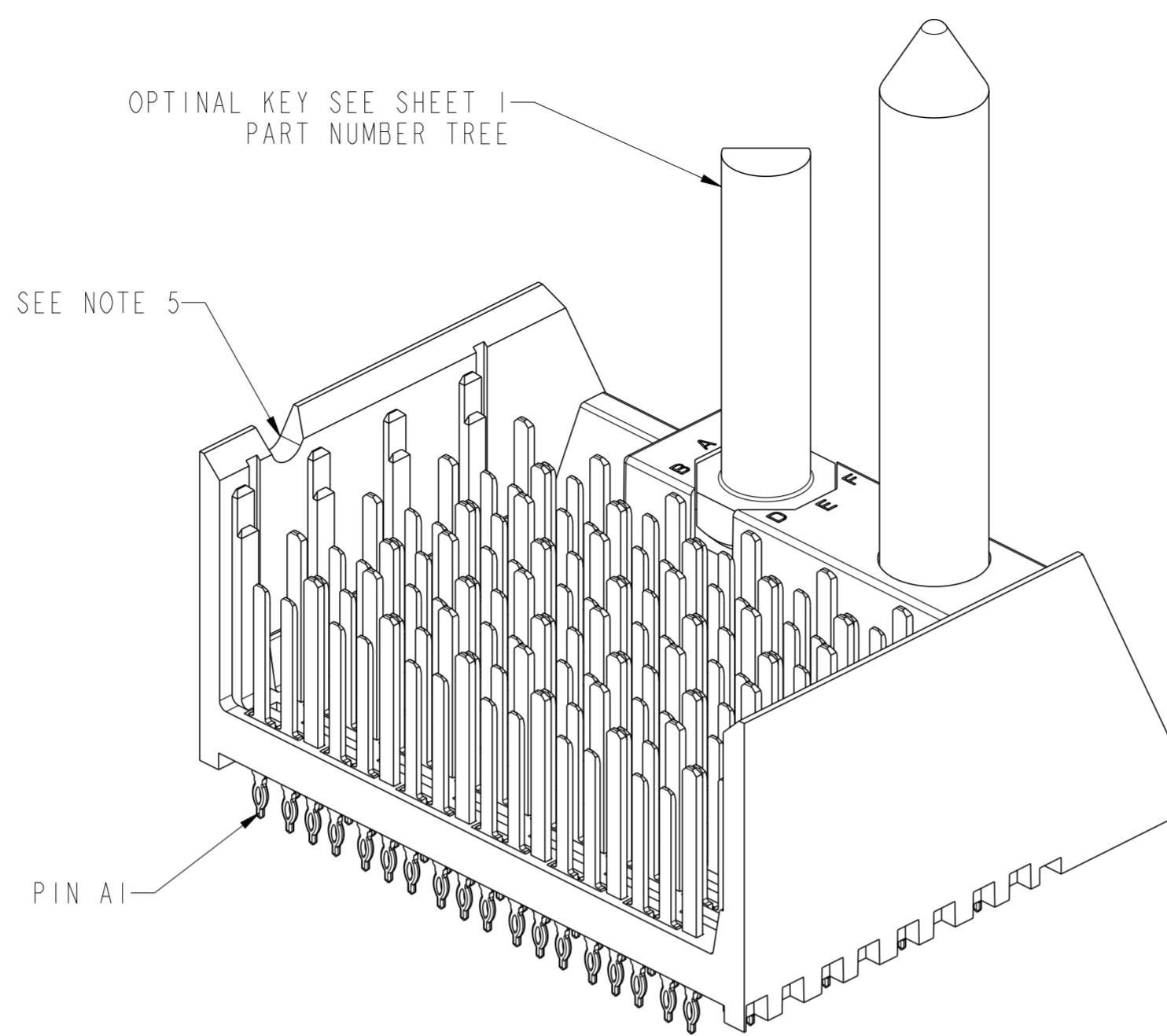
BP HOLE PATTERN COMPONENT SIDE
LEFT POLARIZING GUIDE MODULE
BACKPLANE FOOTPRINT

Copyright FCI

spec ref	-	dr	Yong-Keat Lim	2012/02/23	projection	MM	size	A2	scale	5:1		
tolerance std	ASME Y14.5	eng	Sandar Soe	2013/03/20			ecn no	ELX-8-14229-1	rel level	Released		
TOLERANCES UNLESS OTHERWISE SPECIFIED		chr	-	appr							Chen-Hong Tan	2013/04/09
surface	linear	0.X	±0.3		TITLE VERTICAL HEADER ASSEMBLY XCEDE HD 6 PAIR, 8 COLUMN	dwg no 10120132	rev B					
	angular	0°	±2°					www.fci.com	cat. no.	Product - Customer Draw	sheet 6 of 8	



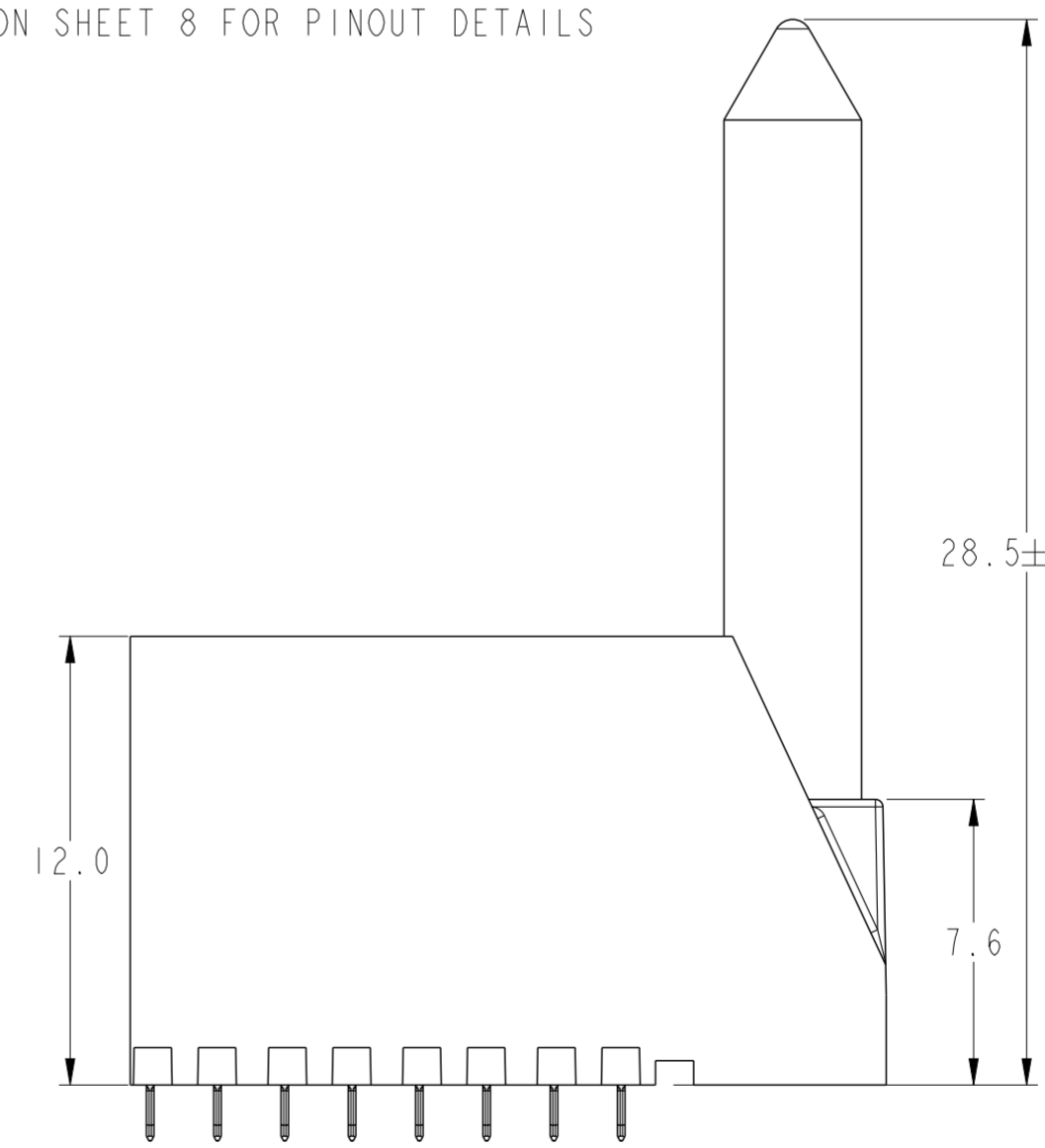
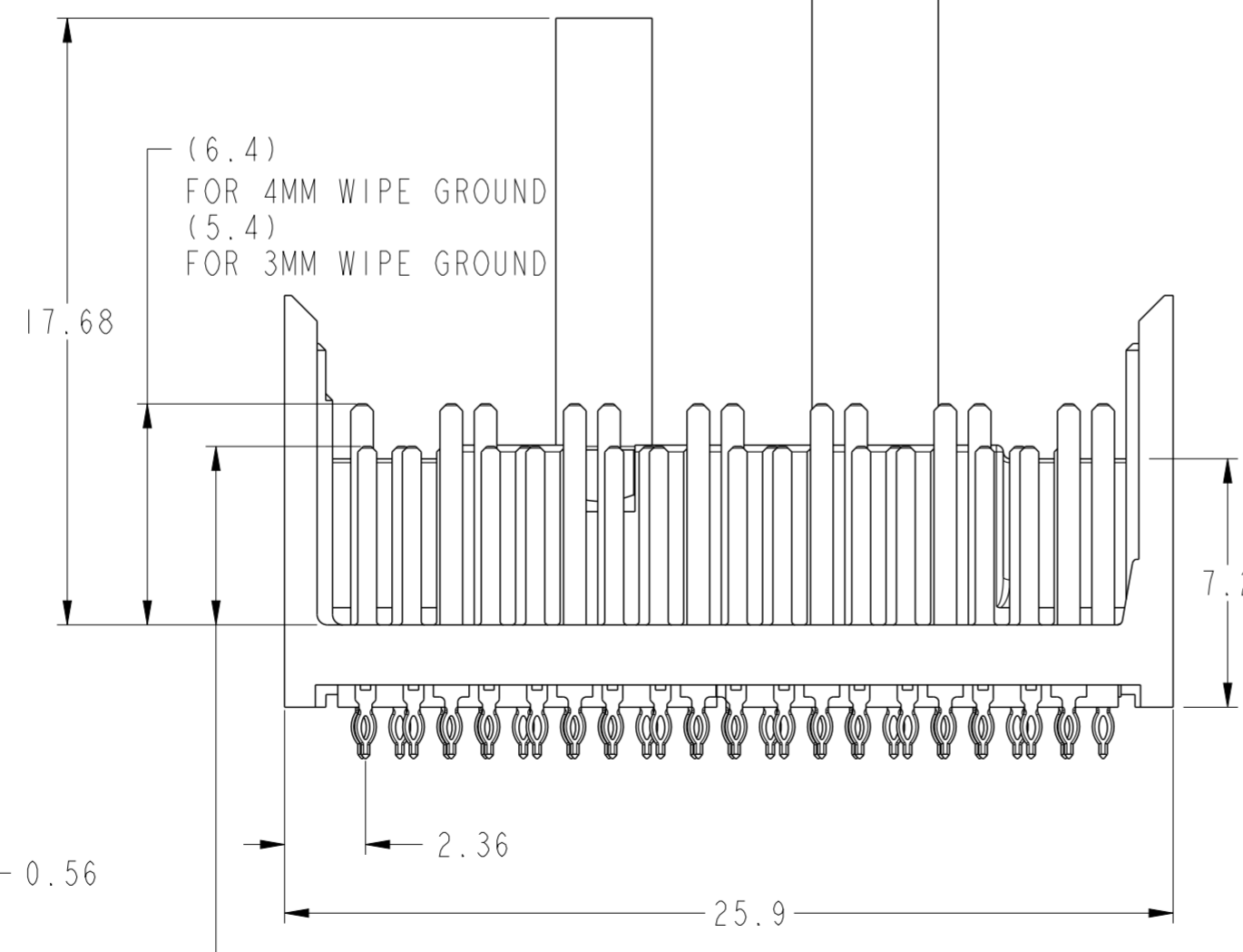
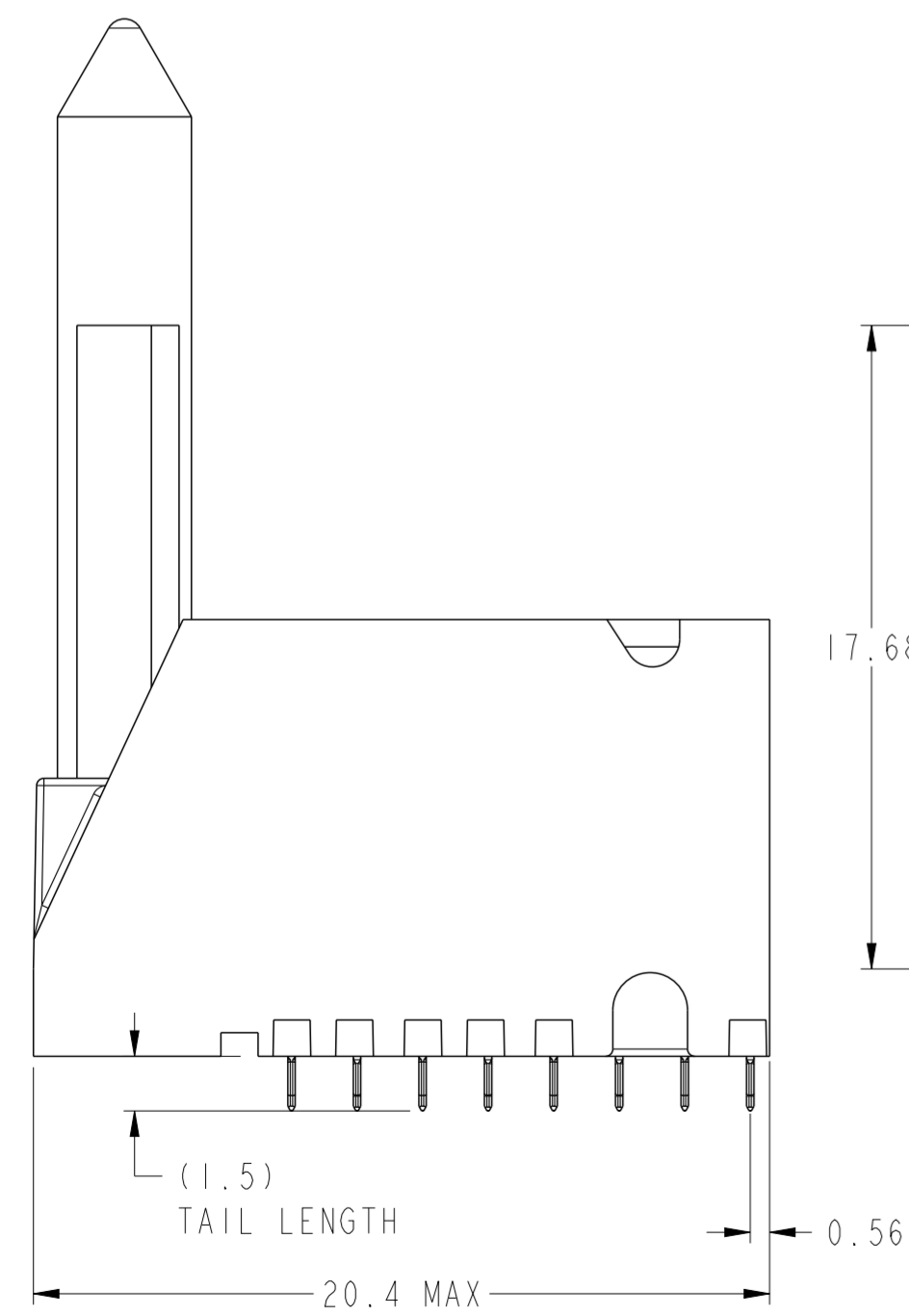
RIGHT POLARIZING GUIDE MODULE



SEE DETAIL A ON SHEET 8 FOR PINOUT DETAILS

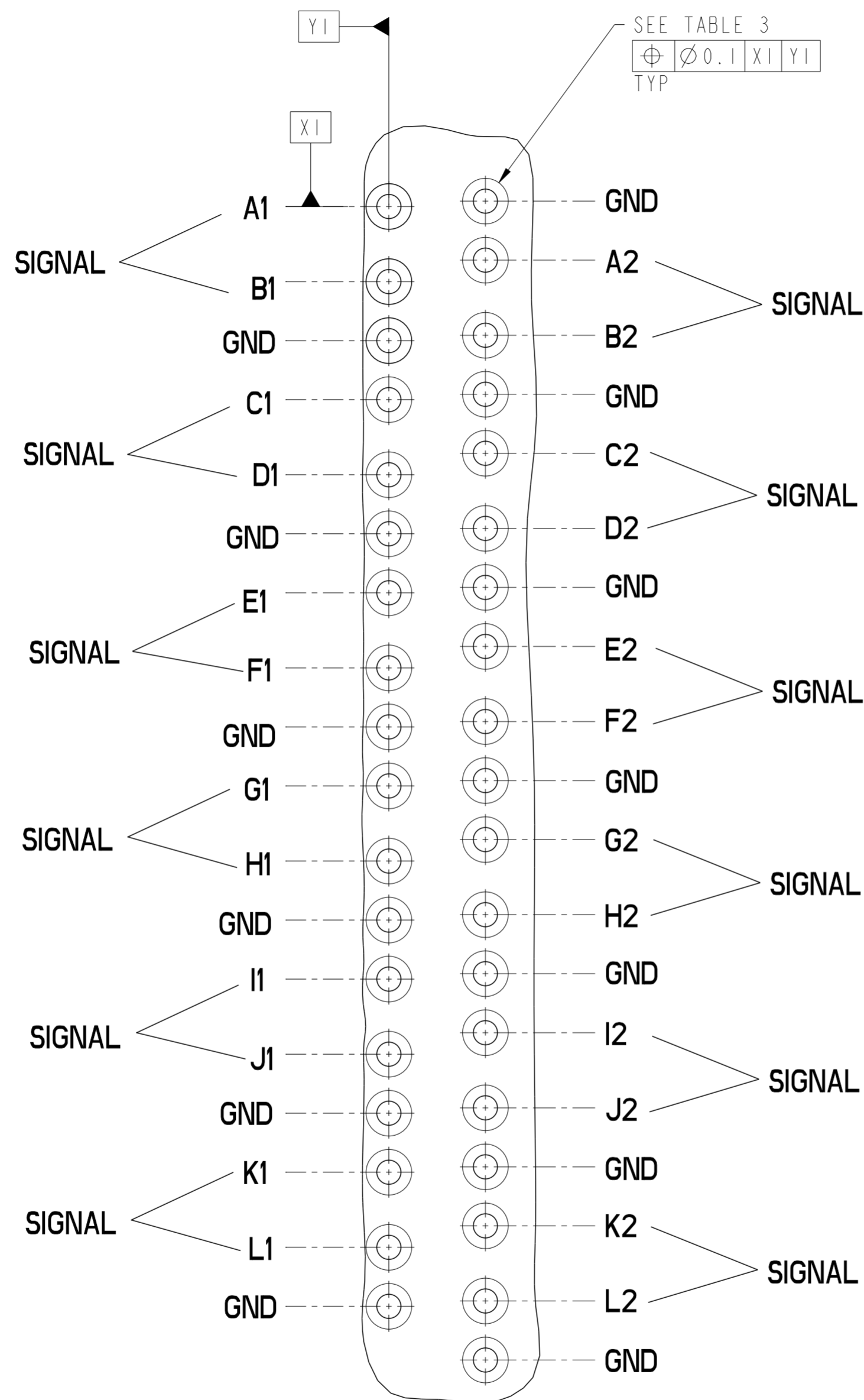
$\varnothing 2.55$ $\varnothing 2.35$ $\varnothing 0.15$ XI YI
SEE NOTE 11 & TABLE I

BP HOLE PATTERN COMPONENT SIDE
**RIGHT POLARIZING GUIDE MODULE
BACKPLANE FOOTPRINT**



(5.2) FOR 4MM WIPE SIGNAL
(4.2) FOR 3MM WIPE SIGNAL

spec ref	-	dr	Yong-Keat Lim	2012/02/23	projection	MM	size	A2	scale	5:1
tolerance std	ASME Y14.5	eng	Sandar Soe	2013/03/20	chr	-	ecn no	ELX-8-14229-1	rel level	Released
surface	linear	appr	Chen-Hong Tan	2013/04/09	product family	XCEDE HD	cat. no.	10120132	rev	B
	angular						Product - Customer Draw	sheet 7 of 8		



SEE TABLE 3
 TYP
 $\text{⊕} \begin{matrix} \text{⌀} 0.1 & \text{XI} & \text{YI} \end{matrix}$

TABLE 3		
	COMPLIANT PIN DRILL $\text{⌀} 0.55[0.0217"]$	COMPLIANT PIN DRILL $\text{⌀} 0.45[0.0117"]$
PTH	$\text{⌀} 0.45 \pm 0.05$	$\text{⌀} 0.36 \pm 0.05$
DRILL	$\text{⌀} 0.55[0.0217"]$	$\text{⌀} 0.45[0.0117"]$
PAD	$\text{⌀} 0.85$	$\text{⌀} 0.75$

NOTES:

1. CONNECTOR MATERIALS
SHROUD : HIGH-TEMP POLYMER, COLOR : BLACK, UL94V-0
CONTACTS : HIGH PERFORMANCE COPPER ALLOY
2. PRODUCT SPECIFICATION : GS-12-0936
3. APPLICATION SPECIFICATION : GS-20-0348
4. PRODUCT MARKING :
PART NUMBER (10120132-X0E-XXXLF)
"FCI" AND DATE CODE (FCI P#####)
- ⑤ NOTCH DESIGNATES "ROW A" SIDE OF CONNECTOR. NOTCH FEATURE ON OPPOSITE FOR PRODUCT MARKING.
- ⑥ PLATING THICKNESS OF SIGNAL & GROUND CONTACT ARE DETERMINED BY PLATING CODE, REFER TO P/N TREE ON SHEET 1.
7. PACKAGING MEETS GS-14-920 LEAD-FREE LABELING SPECIFICATION.
- ⑧ GUIDE-PIN STYLE DESIGNATION ONLY APPLIES TO MODULE VERSIONS THAT REQUIRE GUIDE-PIN HARDWARE. FOR ALL NON-GUIDE-PIN VERSIONS, THE DEFAULT DASH-NUMBER DIGIT IN THAT LOCATION IS STILL "0".
- ⑨ SEE APPLICATION SPECIFICATION FOR ROUTING GUIDELINES, ADDITIONAL PTH GUIDELINES, MATED DIMENSIONS, GUIDE PIN SELECTION, ETC.
10. A ⊕ SYMBOL WILL BE NEXT TO ANY DIMENSION, VIEW OR NOTE THAT HAS BEEN MODIFIED WITH THE CURRENT DRAWING REVISION.
- ⊕ ⑪ OPTIONAL HOLE LOCATION FOR GROUNDED PIN OR ADDITIONAL GUIDE-PIN SUPPORT. SEE TABLE 1 SHEET 1 FOR ADDITIONAL DETAILS.
- ⊕ ⑫ SCREW IS OPTIONAL AND ENGAGES WITH BOTTOM OF GUIDE PIN FROM BENEATH THE PCB FOR ADDITIONAL GUIDE-PIN SUPPORT.

DETAIL A
 SCALE 12:1
 PINOUT DETAILS

spec ref	-	dr	Yong-Keat Lim	2012/02/23	projection	MM	size	A2	scale	3:1		
tolerance std	ASME Y14.5	eng	Sandar Soe	2013/03/20	⊕	←	ecn no	ELX-S-14229-1				
TOLERANCES UNLESS OTHERWISE SPECIFIED		chr	-	appr			Chen-Hong Tan	2013/04/09	product family	XCEDE HD	rel level	Released
surface	✓	linear	0.X	±0.3	www.fci.com		VERTICAL HEADER ASSEMBLY		cat. no.	10120132	rev	B
			0.XX	±0.10								
		angular	0°	±2°								

Copyright FCI. FCI