

1

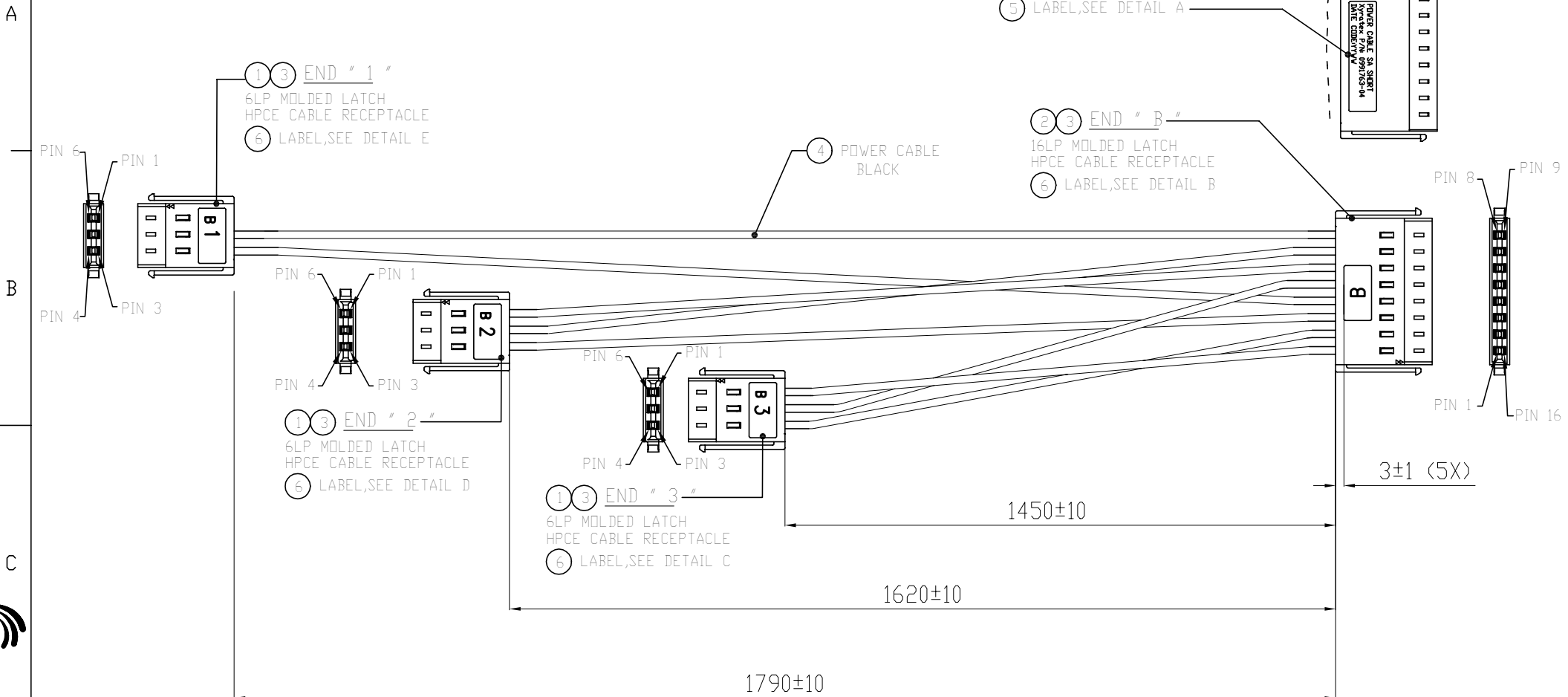
2

3

4

PRODUCT NUMBER

10121017-2DD011GLF



Copyright FCI.

spec ref	See Notes			dr	Andy Zhuang	2014-05-19	projection	MM	size	A3	scale	N/A
tolerance std	TOLERANCES UNLESS OTHERWISE SPECIFIED			eng	Andy Zhuang	2014-05-19			ecn no	ELX-N-17689		
surface		linear	0.X	±	chr	Guo-Feng Jin			2014-05-19	rel level		
			0.XX	±	appr	Guo-Feng Jin	2014-05-19	product family	Pwrblade			
			0.XXX	±	title		POWER CABLE SA SHORT HPCE CABLE ASSEMBLY		dwg no	10121017-2DD011GLF		
		angular	0	±	www.fci.com	cat. no.	Product - Customer Drw		sheet 1 of 3			

rev	ecn no	dr	date
A		CLARK	2013-02-01
B	ELX-N-17689	Andy	2014-05-19

1

2

3

4

FCI PART NO. SEE SHEET 1

POWER CABLE SA SHORT
Xyratex P/N: 0991763-04
DATE CODE:YYWW

DETAIL A

B

DETAIL B

B 3

DETAIL C

B 2

DETAIL D

B 1

DETAIL E

WIRING LIST (SEE NOTE 5)

	FROM	FUNCTION	TO	
END "3"	PIN1 & PIN6	SP+	PIN1 & PIN16	END "B"
	PIN2 & PIN5	SP-	PIN5 & PIN12	
	PIN3 & PIN4	C+	PIN2 & PIN15	
END "2"	PIN1 & PIN6	C-	PIN6 & PIN11	
	PIN2 & PIN5	B-	PIN7 & PIN10	
	PIN3 & PIN4	B+	PIN3 & PIN14	
END "1"	PIN2 & PIN5	A-	PIN8 & PIN9	
	PIN3 & PIN4	A+	PIN4 & PIN13	

ITEM	Q'TY	UNIT	DESCRIPTION
6	4	EA	KAPTON LABEL, WHITE, 20X10MM
5	1	EA	KAPTON LABEL, WHITE, 40X10MM
4	AR	MM	UL3443 WIRE, 14AWG, XLPVC, OD 2.7MM MAX, 300V, 105°C.
3	16	EA	POWER CONTACT 1X2 FOR 14/16 AWG WIRE, FINISH: GXT.
2	1	EA	16LP (8 WAY) MOLDED LATCH 1X2, HPCE HSG
1	3	EA	6LP (3 WAY) MOLDED LATCH 1X2, HPCE HSG

spec ref	See Notes			dr	Andy Zhuang	2014-05-19	projection	MM	size	A3	scale	N/A		
tolerance std	TOLERANCES UNLESS OTHERWISE SPECIFIED			eng	Andy Zhuang	2014-05-19			ecn no	ELX-N-17689				
surface	linear	0.X	±	chr	Guo-Feng Jin	2014-05-19			product family	Pwrblade	rel level			
		0.XX	±	appr	Guo-Feng Jin	2014-05-19					title	POWER CABLE SA SHORT		dwg no
	angular	0	±	www.fci.com		cat. no.	Product - Customer Drw			sheet 2 of 3				

rev	ecn no	dr	date
A		CLARK	2013-02-01
B	ELX-N-17689	Andy	2014-05-19

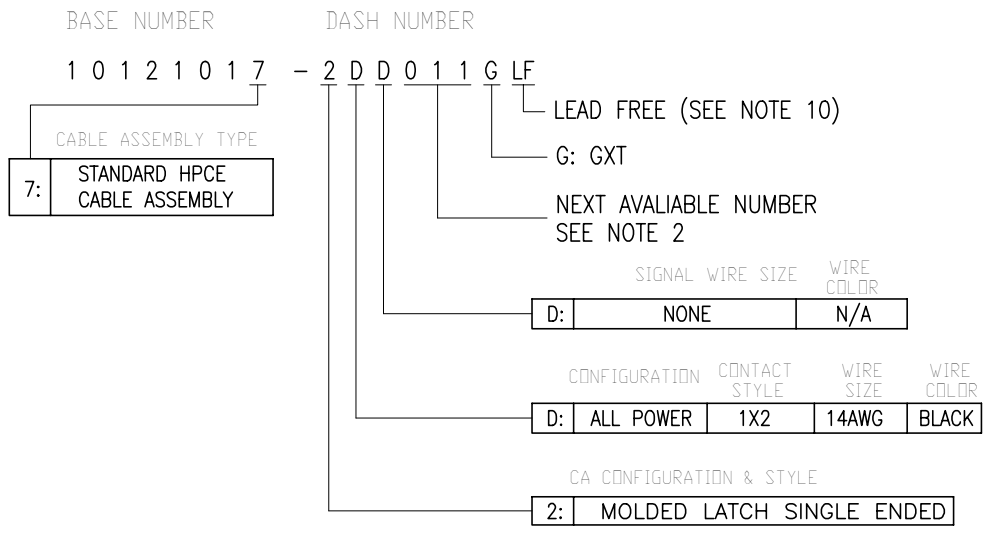


Copyright FCI.

FCI PART NO. SEE SHEET 1

NOTES:

- 1. END "P1" MATES WITH FCI PN: 10124394
END "P2" & END "P3" & END "P4" MATE WITH FCI PN: 10123246
- 2. UNLESS OTHERWISE SPECIFIED ASSEMBLED LENGTH TOLERANCE =
< 1 METER: ±15.0MM
1 METER TO 10 METER: ±2% OF "DLM L"
> 10 METER: +0.00% / -4% OF "DIM L"
- 3. PART NUMBER DESCRIPTION:



- 5. ALL CABLE ASSEMBLIES SHALL BE TESTED 100% FOR CONTINUITY AS DEFINED IN WIRING LIST.
- 6. UNLESS OTHERWISE SPECIFIED ALL CABLE ASSEMBLIES SHALL BE 100% HI-POT TESTED BY APPLYING 300V DC FOR MINIMUM OF 10ms, UNLESS ACTIVE COMPONENTS ARE USED IN THIS ASSEMBLY.
- 7. OTHER TESTING PERFORMED AS REQUIRED BY PRODUCT SPECIFICATION: GS-12-1031
- 8. THIS DIMENSION IS A FINISHED PRODUCT LENGTH.
- 9. LEAD FREE PRODUCTS MEET EUROPEAN UNION DIRECTIVES AND OTHER COUNTRY REGULATIONS AS DESCRIBED IN GS-22-008.
- 10. ASSEMBLY SHOWN IS FOR REFERENCE ONLY AND MAY NOT SHOW ALL PART DETAIL. REFERENCE CONNECTOR ASSEMBLY DRAWING FOR COMPLETE DETAILS.
- 11. PACKAGING SPECIFICATIONS AS PER: GS-14-2235.
- 12. A "△" SYMBOL WILL BE NEXT TO ANY DIMENSION, VIEW, OR NOTE WHICH HAD BEEN MODIFIED WITH THE CURRENT DRAWING REVISION.
- 13. MATERIALS:
CABLE: UL RECONIZED, TEMPERATURE RATING 105°C, 300V MIN.
HOUSING: HIGH TEMP. THERMOPLASTIC, UL94V-0 GLASS FILLED, COLOR: BLACK
POWER CONTACTS: COPPER ALLOY

4. UNLESS OTHERWISE SPECIFIED LABEL POSITION SHALL BE 50mm FROM REAR OF CONNECTOR.



Copyright FCI.

spec ref				See Notes				dr	Andy Zhuang	2014-05-19	projection	MM	size	A3	scale	N/A	
tolerance std				TOLERANCES UNLESS OTHERWISE SPECIFIED				eng	Andy Zhuang	2014-05-19			ecn no		ELX-N-17689		
surface				linear				chr	Guo-Feng Jin	2014-05-19			rel level				
A				0.X ±				appr	Guo-Feng Jin	2014-05-19			product family		Pwrblade		
rev	ecn no	dr	date	angular				www.fci.com				cat. no.		Product - Customer Drw		sheet 3 of 3	
A		CLARK	2013-02-01	0.XX ±				FCI				title		POWER CABLE SA SHORT		rev	
B	ELX-N-17689	Andy	2014-05-19	0.XXX ±				www.fci.com				cat. no.		Product - Customer Drw		sheet 3 of 3	
				0 ±				www.fci.com				cat. no.		Product - Customer Drw		sheet 3 of 3	