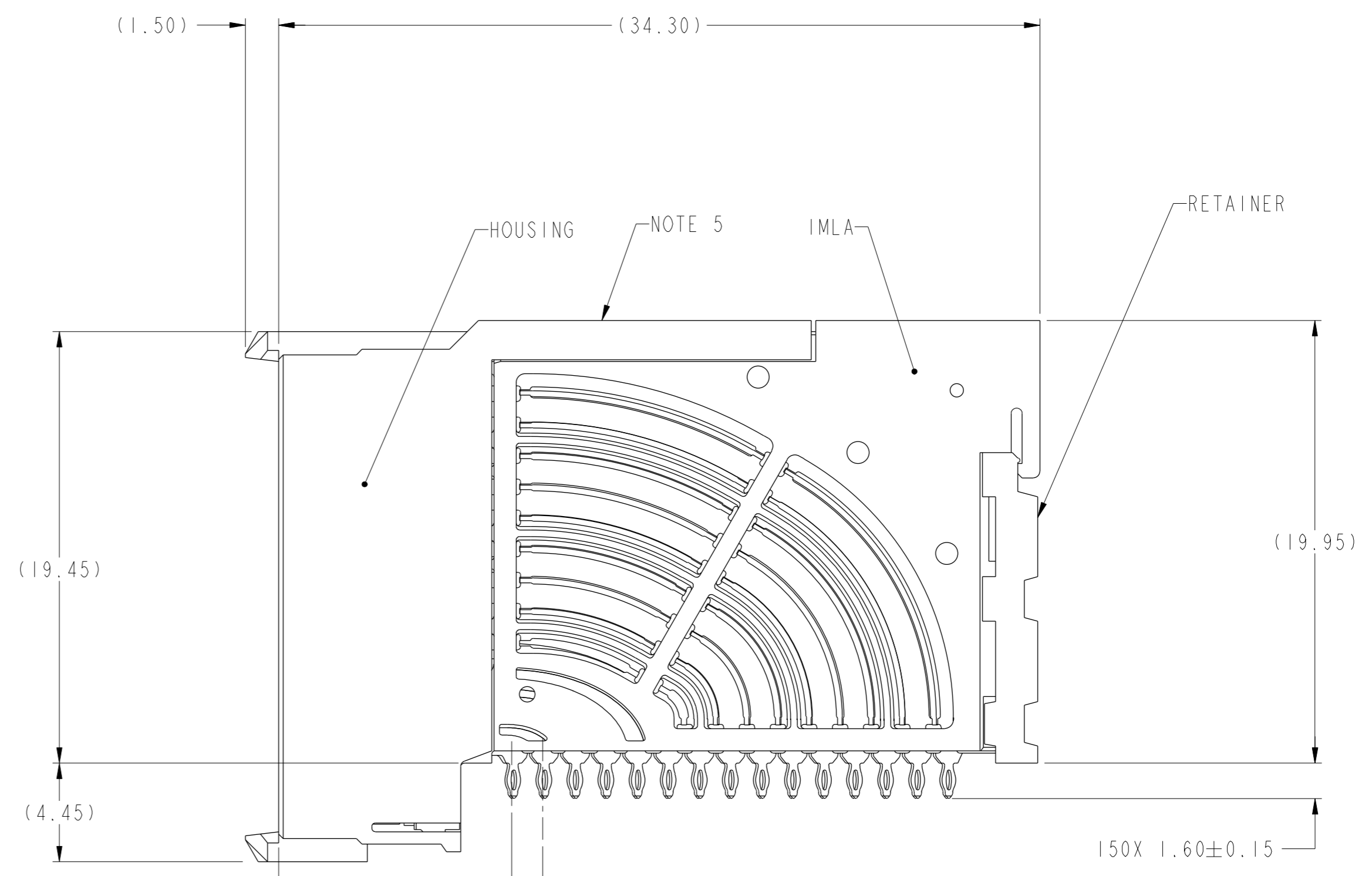
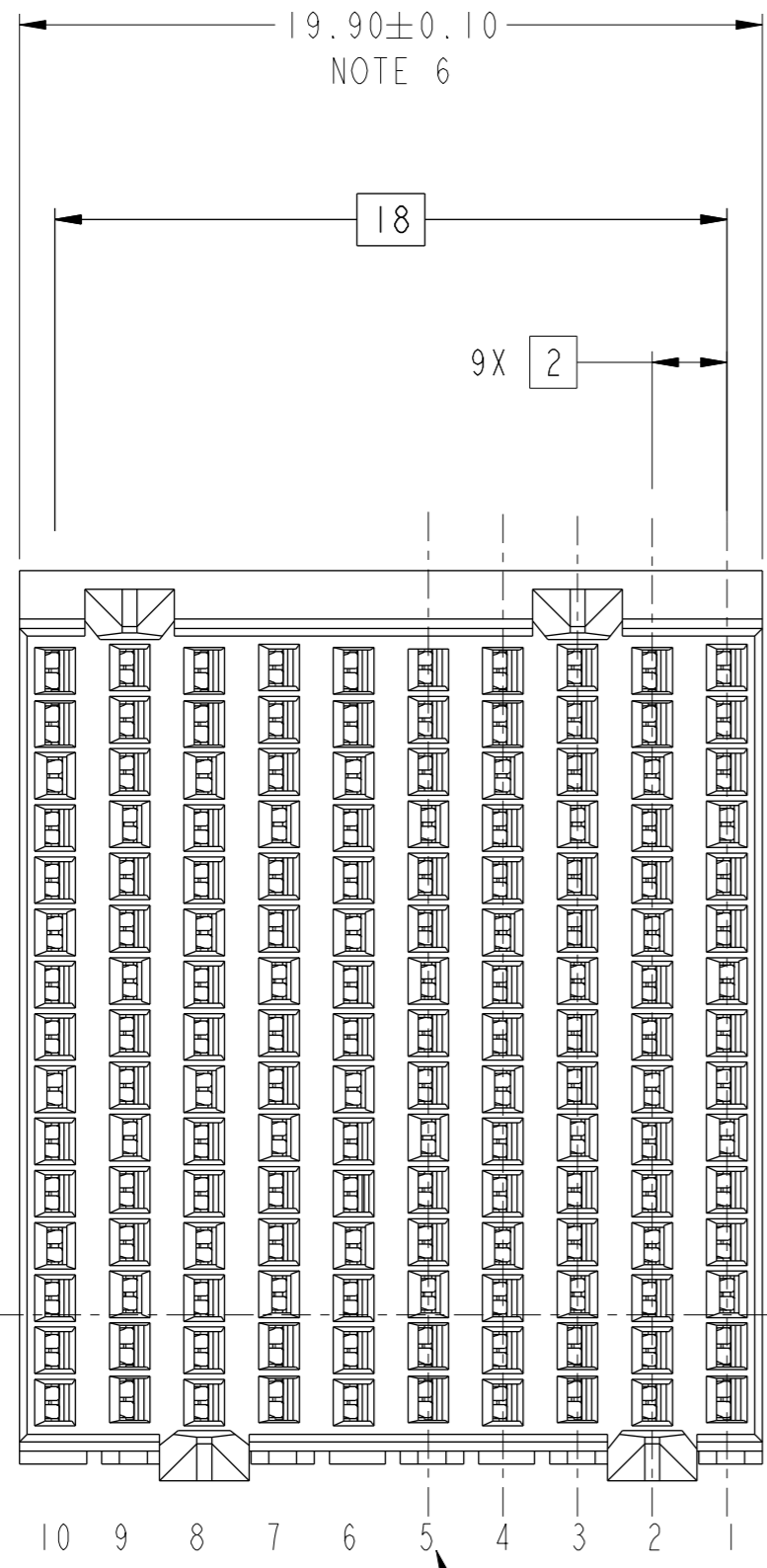


PRODUCT NUMBER
SEE SHEET 3



2.35

TOP SURFACE OF DAUGHTER CARD

2.25

ODD COLUMN, CONTACT ROW ID

COLUMN ID

EVEN COLUMN, CONTACT ROW ID
ODD AND EVEN COLUMNS ARE OFFSET

10.50 \varnothing EVEN COLUMNS
10.60 \varnothing ODD COLUMNS

spec ref	---	dr	Lin-Soe Ngwe	20120905	projection	MM	size	A2	scale	1:1
tolerance std	ASME Y14.5M	eng	Tao Zhan	20160301			ecn no	ELX-DG-22284-1	rel level Released	
TOLERANCES UNLESS OTHERWISE SPECIFIED		chr	Heaven Cen	20160302			product family	AirMax VSE		
		appr	Pei-Ming Zheng	20160308			cat. no.	-		Product - Customer Drw
surface	-	linear	0.X	±.3	Amphenol FCI	title AIRMAX VS2 R.A. RECEPTACLE ASS'Y, 5 PAIR, 150 POS, 10 IMLA, 20MM, Std PF	dwg no 10122665	rev C		
			0.XX	±.10						
			0.XXX	±.050						
		angular	0°	±°						

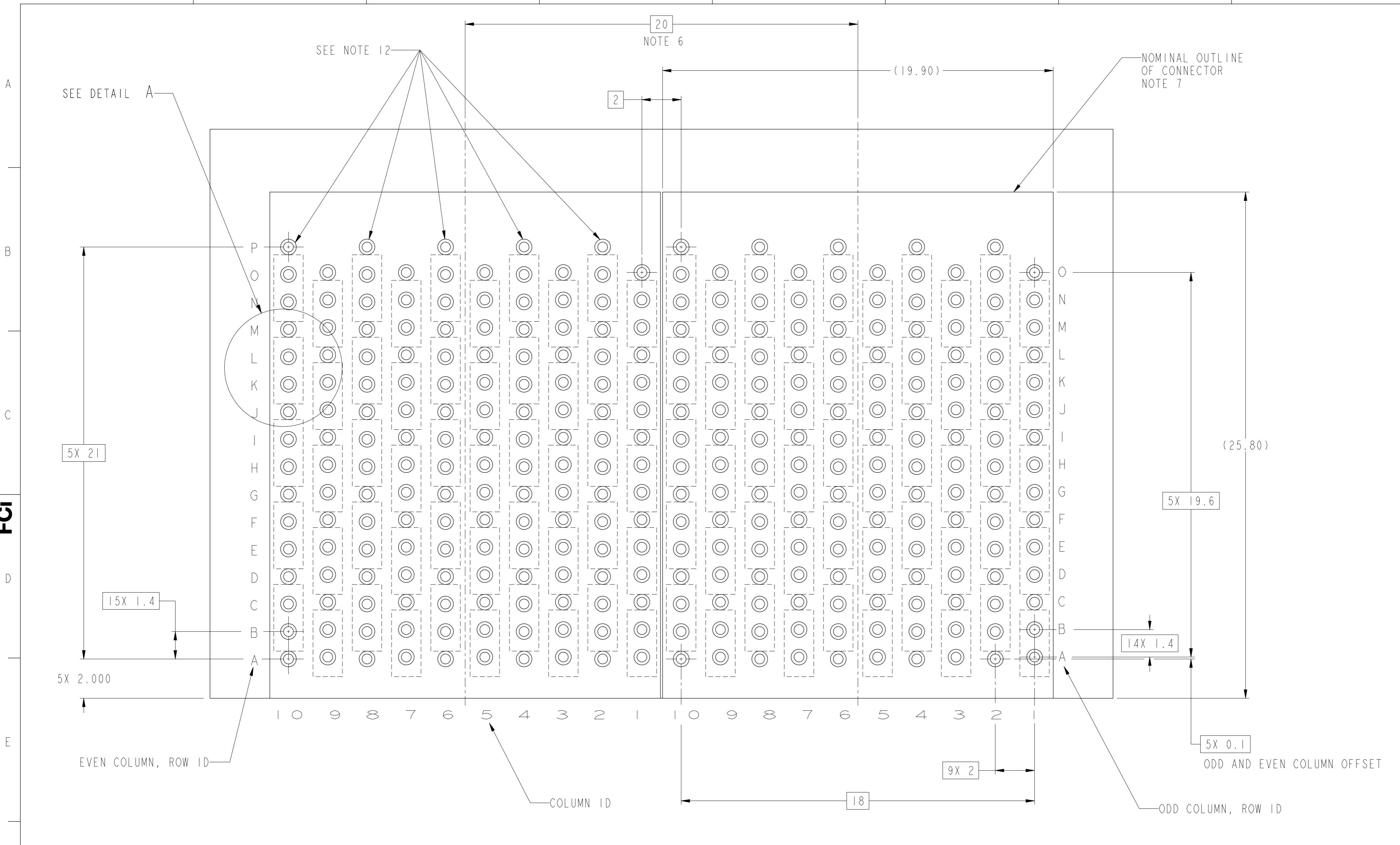
PDS: Rev :C

STATUS:Released

Printed: Mar 11, 2016

Amphenol FCI

© 2016 AFCI



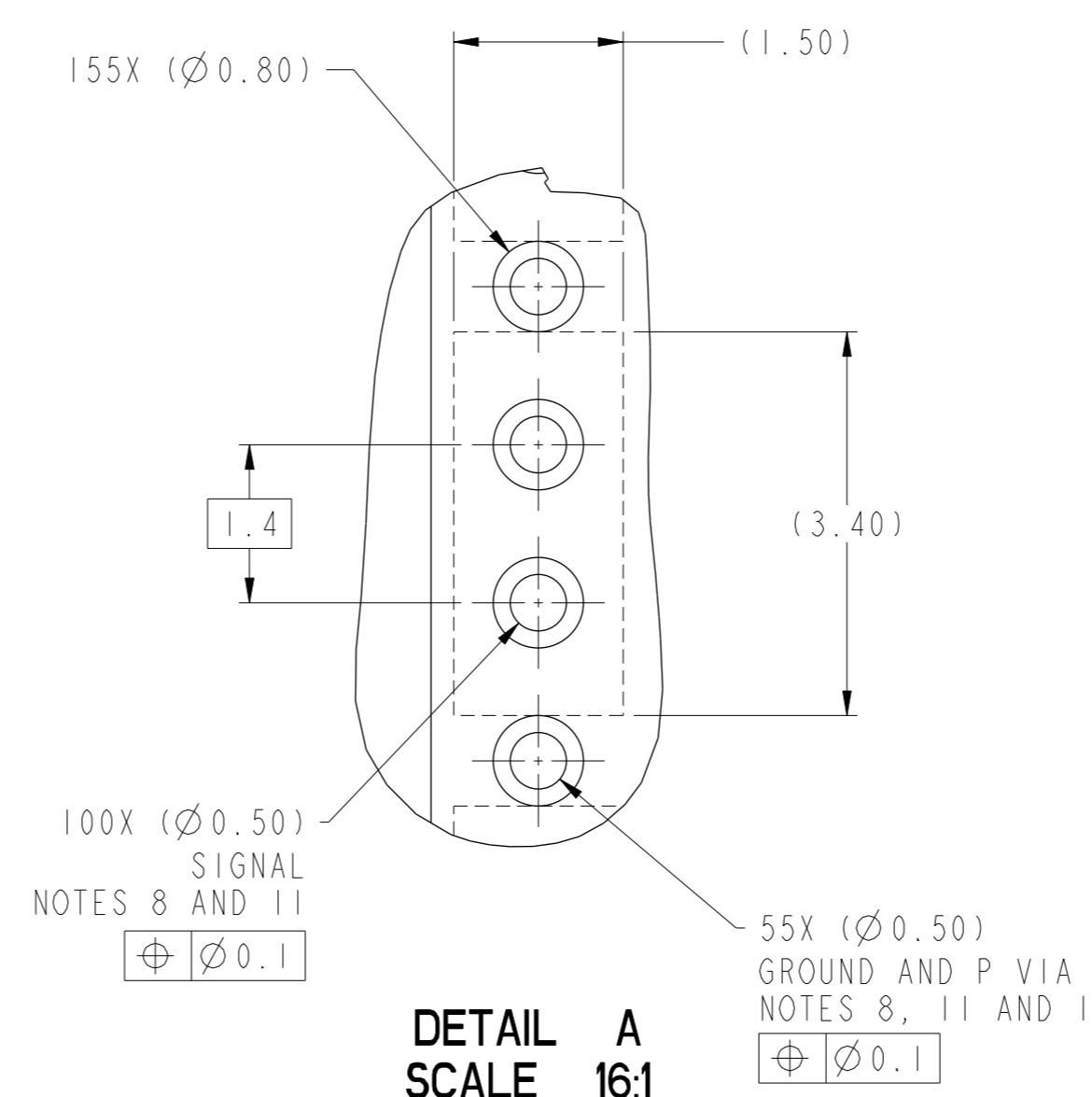
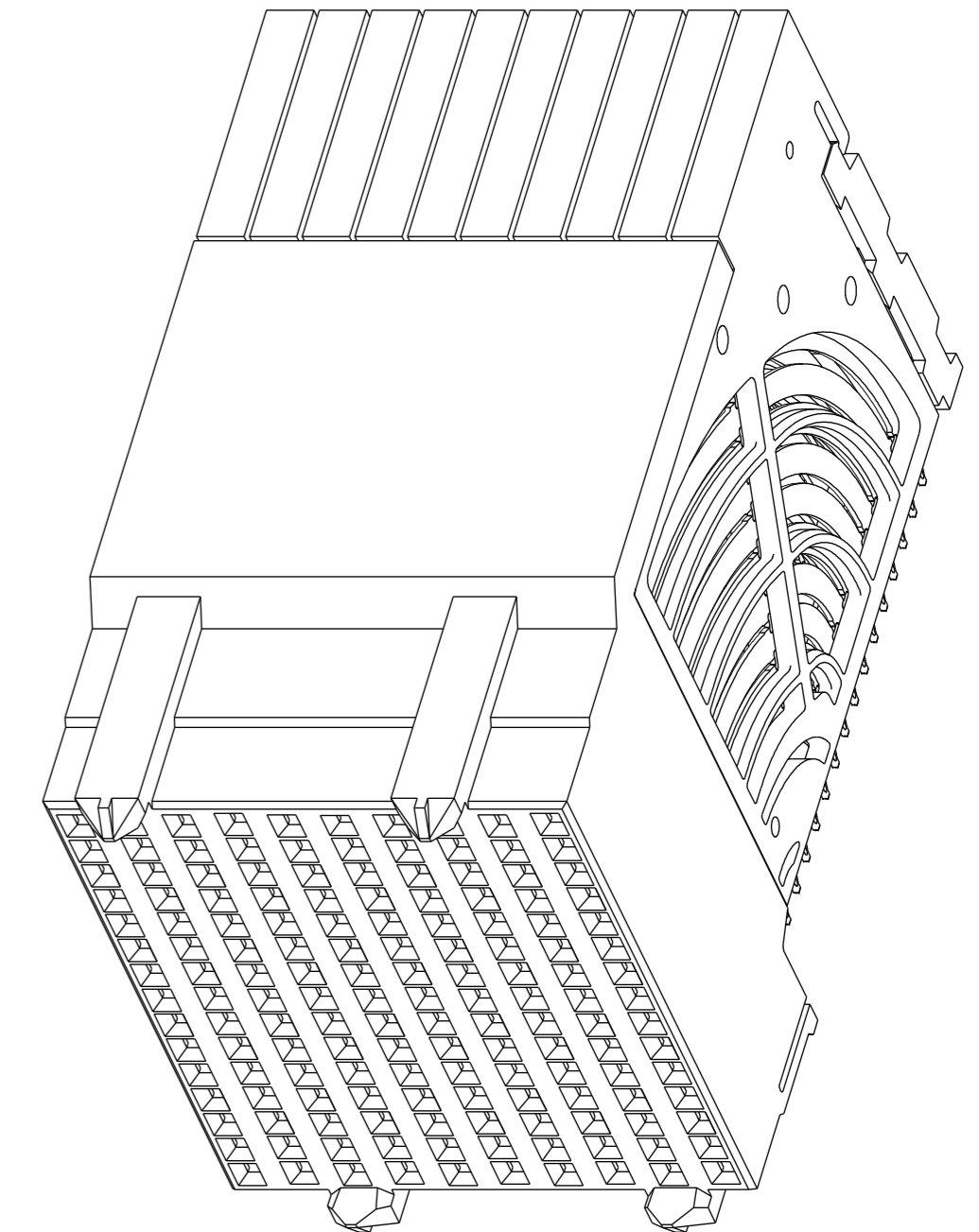
RECOMMENDED PCB LAYOUT
FOR DIFFERENTIAL APPLICATIONS
COMPONENT SIDE
(TWO ADJACENT FOOTPRINTS SHOWN)
NOTES 6, 8, & 11

spec ref	---	dr	Lin-Soe Ngwe	20120905	projection	MM	size	A2	scale	1:1
tolerance std	ASME Y14.5M	eng	Tao Zhan	2016/03/01			ecn no	ELX-DG-22284-1		
TOLERANCES UNLESS OTHERWISE SPECIFIED		chr	Heaven Cen	2016/03/02			rel level	Released		
surface	✓	appr	Pei-Ming Zheng	2016/03/08	product family	AirMax VSE		rel level	Released	
linear	0.X ±.3 0.XX ±.10 0.XXX ±.050	Amphenol FCi		title	AIRMAX VS2 R.A. RECEPTACLE			dwg no	10122665	
angular	0° ±°	cat. no.		Product - Customer Drw			rev	C		

PRODUCT NUMBER	PRESS-FIT TAIL PLATING TYPE
10122665-101LF	TIN OVER NICKEL (LEAD FREE)

- 1 - CONNECTOR MATERIALS:
HOUSING: HIGH TEMP THERMOPLASTIC, NATURAL, UL94-V0
IMLA PLASTIC: HIGH TEMP THERMOPLASTIC, BLACK, UL94-V0
CONTACT: COPPER ALLOY
ORGANIZER: HIGH TEMP THERMOPLASTIC, WHITE, UL94-V0
- 2 - CONTACT PLATING:
SEPARABLE INTERFACE:
PERFORMANCE-BASED PLATING, QUALIFIED TO MEET THE REQUIREMENTS OF FCI PRODUCT SPECIFICATION GS-12-0956 INCLUDING TELCORDIA GR-1217-CORE (NOVEMBER 1995) CENTRAL OFFICE TEST SEQUENCE

PRESS-FIT TAILS: SEE TABLE
- 3 - PRODUCT SPECIFICATION: GS-12-0956
- 4 - APPLICATION SPECIFICATION: GS-20-0305.
- 5 - PRODUCT MARKING, (PROTOTYPE, PART NUMBER & LOT CODE), ON THIS SURFACE.
- 6 - THE MINIMUM CENTERLINE SPACING BETWEEN ADJACENT MODULES IS 20.0 MM.
- 7 - CONNECTOR OUTLINE MAY BE SCREEN PRINTED ONTO CUSTOMER PCB TO BE USED AS A GUIDE FOR MANUAL CONNECTOR PLACEMENT.
- 8 - REFER TO CUSTOMER DRAWING 10104444 FOR INFORMATION ON PCB HOLE DIAMETERS AND PLATING OPTIONS
- 9 - LEAD FREE PRODUCT MEETS THE EUROPEAN UNION DIRECTIVES & OTHER COUNTRY REGULATIONS AS DESCRIBED IN GS-22-008
- 10 - PACKAGING MEETS GS-14-920 LEAD FREE LABELING SPECIFICATION.
- 11 - GROUND CONTACTS (C,F,I,L AND O IN ODD COLUMNS AND A,D,G,J AND M, EVEN COLUMNS) REQUIRE (Ø0.500) FINISHED HOLES. SIGNAL LOCATIONS REQUIRE (Ø0.500) FINISHED HOLES.
- 12 - THESE OUTER VIAS (P) ARE OPTIONAL. WHILE NO CONNECTOR PINS ARE PRESSED INTO THESE HOLES, WE RECOMMEND (Ø 0.500) FINISHED HOLES AT THESE LOCATIONS TO PROVIDE GROUND SYMMETRY THROUGH THE PCB.



10122665-101LF
SCALE 4:1

spec ref	---	dr	Lin-Soe Ngwe	2012/09/05	projection	MM	size	A2	scale	4:1													
tolerance std	ASME Y14.5M	eng	Tao Zhan	2016/03/01			ecn no	ELX-DG-22284-1															
TOLERANCES UNLESS OTHERWISE SPECIFIED		chr	Heaven Cen	2016/03/02			rel level	Released															
surface	<table border="1"> <tr> <td>linear</td> <td>0.X</td> <td>±.3</td> </tr> <tr> <td></td> <td>0.XX</td> <td>±.10</td> </tr> <tr> <td></td> <td>0.XXX</td> <td>±.050</td> </tr> <tr> <td>angular</td> <td>0°</td> <td>±°</td> </tr> </table>	linear	0.X	±.3		0.XX	±.10		0.XXX	±.050	angular	0°	±°	appr	Pei-Ming Zheng	2016/03/08	product family	AIRMAX VS2 R.A. RECEPTACLE		cat. no.	10122665	rev	C
linear	0.X	±.3																					
	0.XX	±.10																					
	0.XXX	±.050																					
angular	0°	±°																					
Product - Customer Drw							sheet 3 of 3																

PDS: Rev :C

STATUS:Released

Printed: Mar 11, 2016

Amphenol FCI

© 2016 AFCI