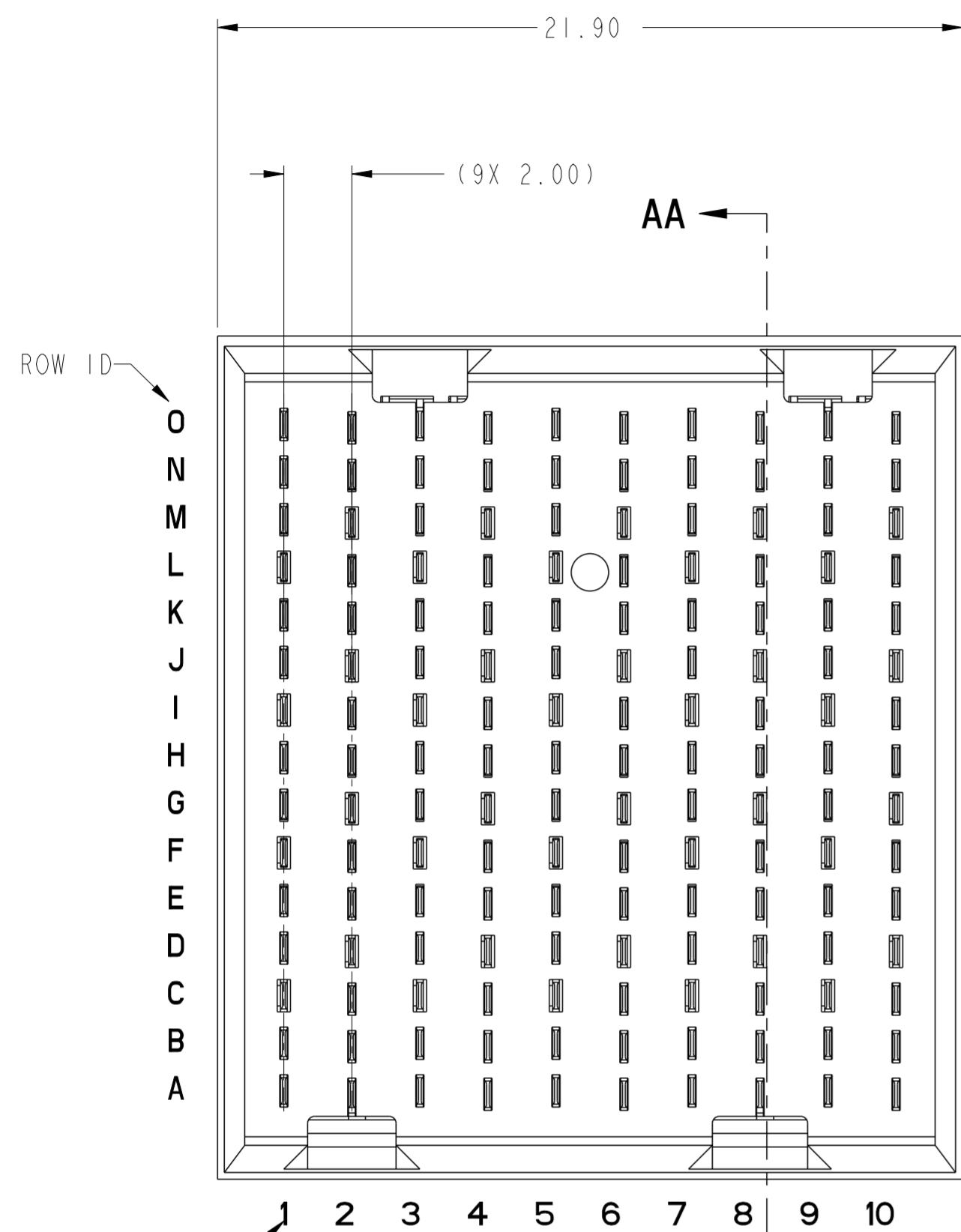


PRODUCT NUMBER
SEE SHEET 3



COLUMN ID

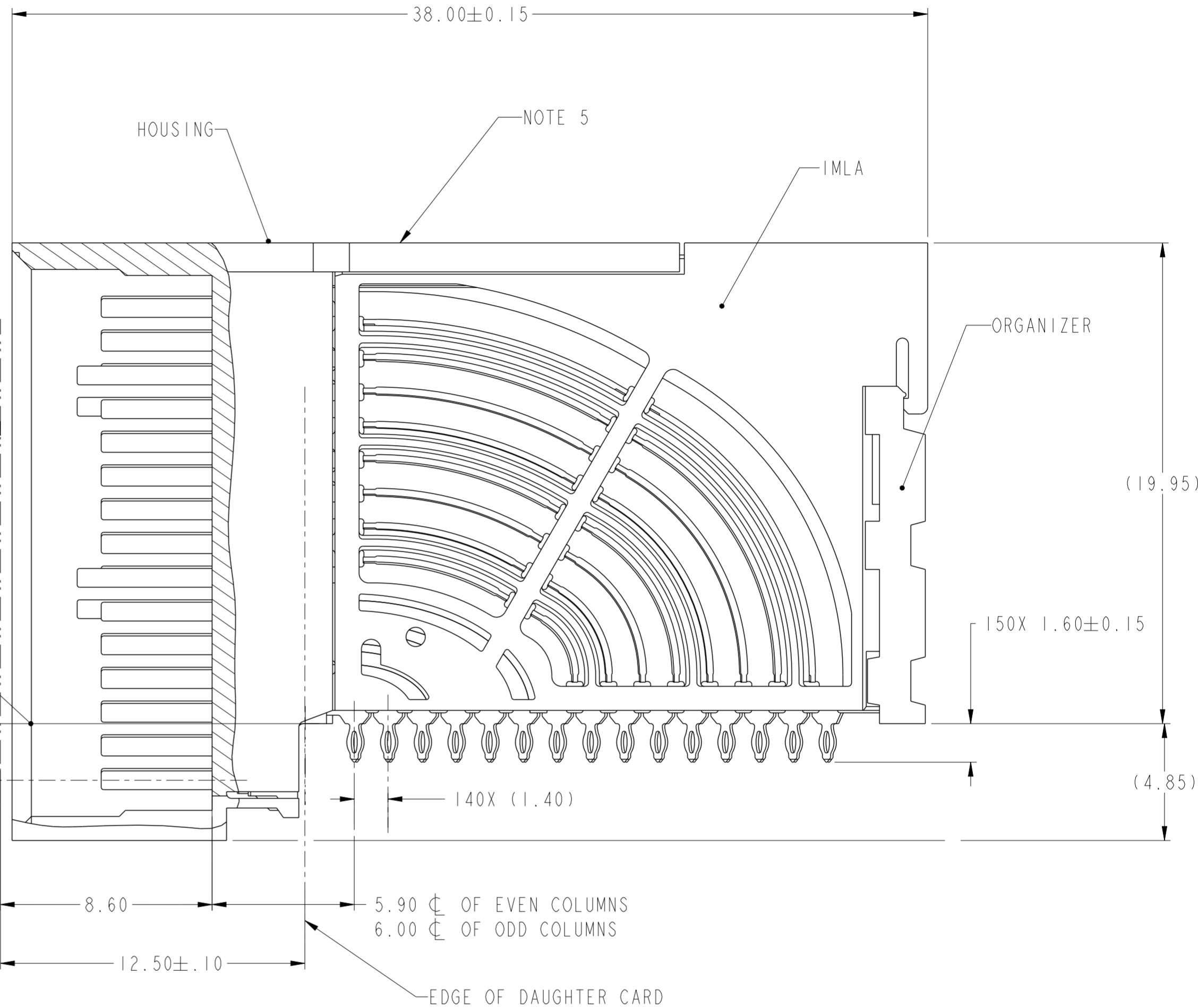
AA

2.35 ϕ OF EVEN COLUMNS
2.25 ϕ OF ODD COLUMNS

(24.80)

TOP SURFACE OF MOTHER BOARD

TOP SURFACE OF DAUGHTER CARD

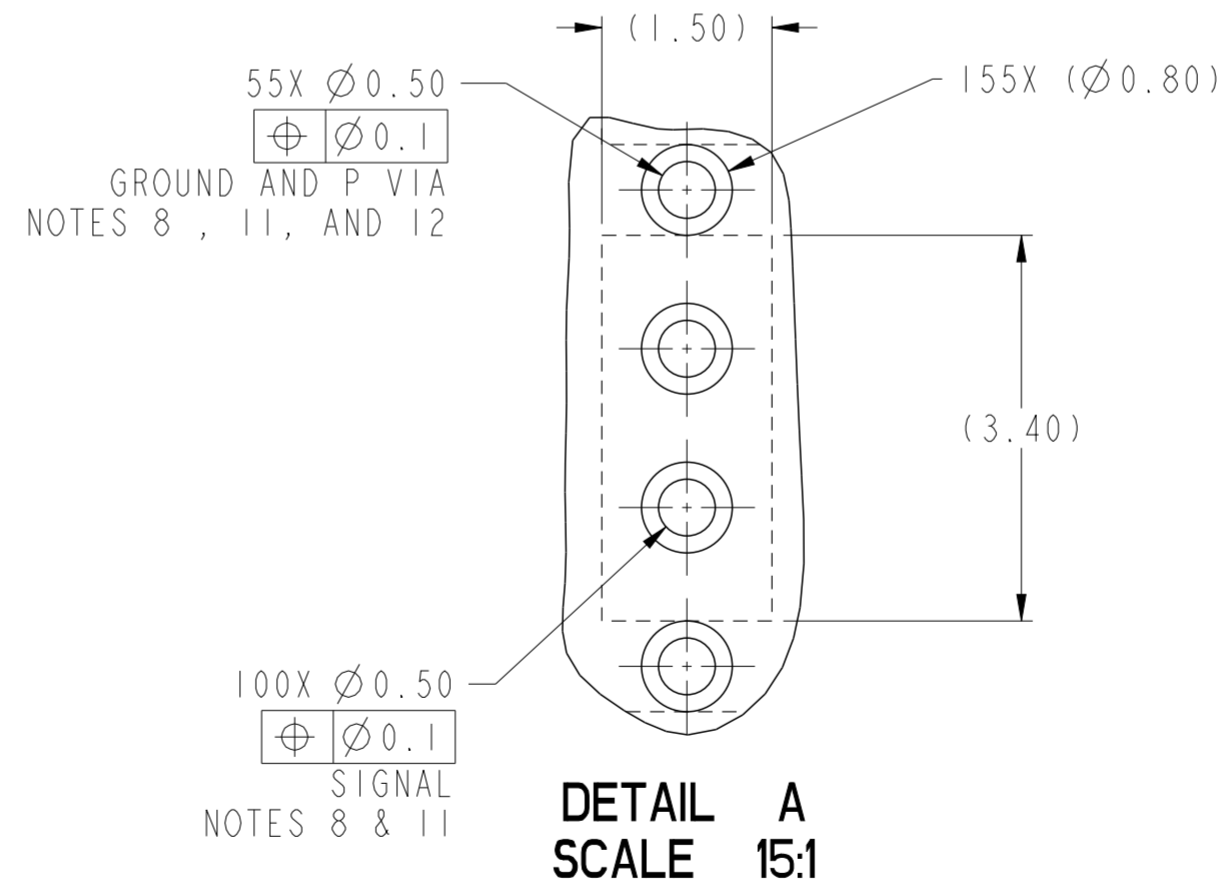
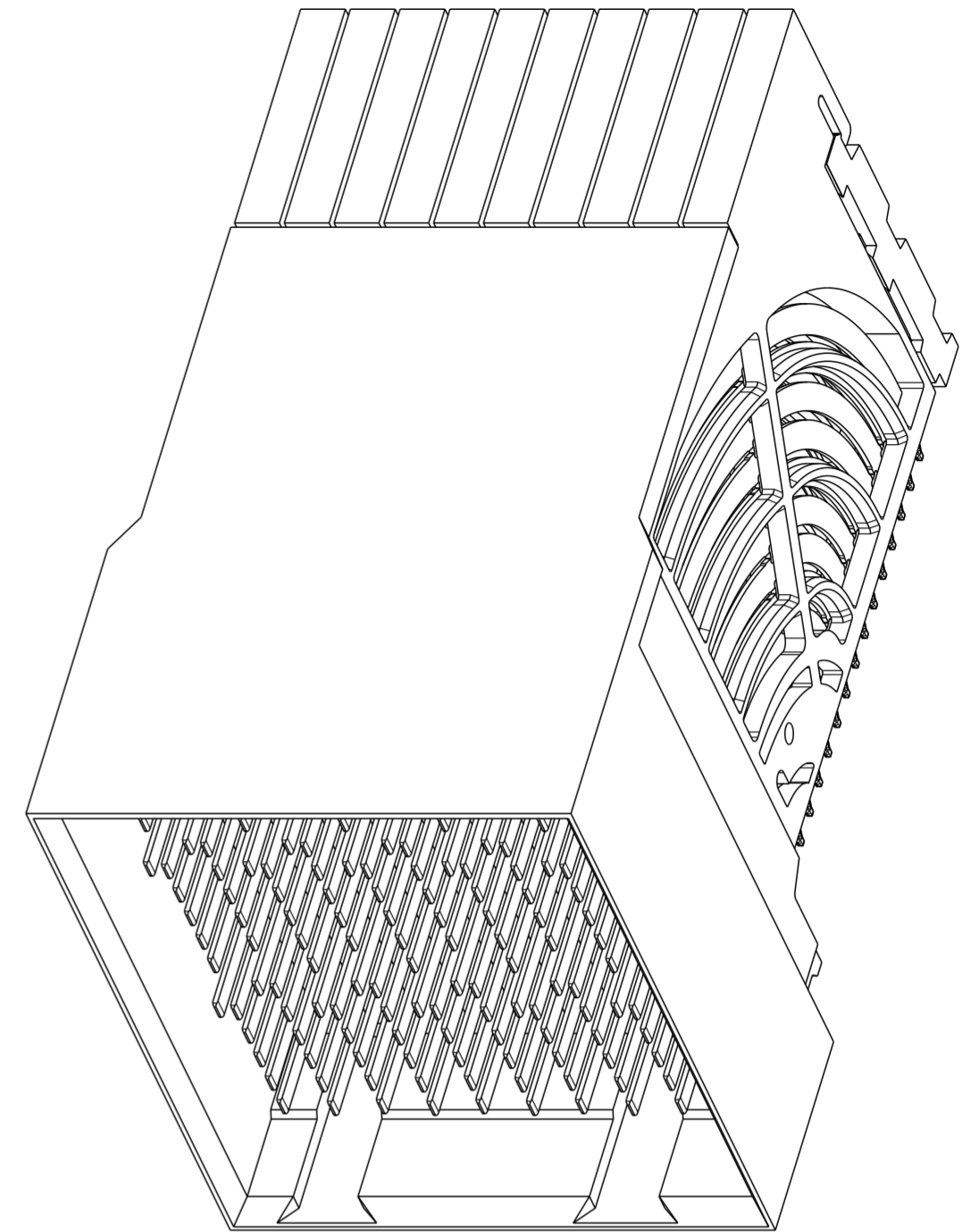


SECTION AA-AA

spec ref	---	dr	Lin-Soe Ngwe	2012/1204	projection	MM	size	A2	scale	10:1									
tolerance std	ASME Y14.5M	eng	Tao Zhan	2015/01/27			ecn no	ELX-DG-20056-1											
TOLERANCES UNLESS OTHERWISE SPECIFIED		chr	-	appr			Collins Lu	2015/01/28	rel level	Released									
surface	<table border="1"> <tr> <td>linear</td> <td>0.X</td> <td>±.3</td> </tr> <tr> <td></td> <td>0.XX</td> <td>±.10</td> </tr> <tr> <td></td> <td>0.XXX</td> <td>±.050</td> </tr> <tr> <td>angular</td> <td>0°</td> <td>±2°</td> </tr> </table>	linear	0.X	±.3				0.XX	±.10		0.XXX	±.050	angular	0°	±2°			title AirMax VS2 R.A. HEADER 5 Pair, 150 pos, 2mm, 10 Col	
linear	0.X	±.3																	
	0.XX	±.10																	
	0.XXX	±.050																	
angular	0°	±2°																	
www.fci.com		cat. no.		Product - Customer Drw		sheet 1 of 3													

PRODUCT NUMBER	PRESS-FIT TAIL PLATING TYPE	REMARK
10123529-101	TIN/LEAD ALLOY OVER NICKEL	1-SIDE PLATING (CUSTOMER SPECIAL)
10123529-101LF	TIN OVER NICKEL (LEAD FREE)	
10123529-102	TIN/LEAD ALLOY OVER NICKEL	2-SIDE PLATING
10123529-102LF	TIN OVER NICKEL (LEAD FREE)	

- 1 - CONNECTOR MATERIALS:
HOUSING: HIGH TEMP THERMOPLASTIC, NATURAL, UL94-V0
IMLA PLASTIC: HIGH TEMP THERMOPLASTIC, BLACK, UL94-V0
CONTACT: COPPER ALLOY
ORGANIZER: HIGH TEMP THERMOPLASTIC, NATURAL, UL94-V0
- 2 - CONTACT PLATING:
SEPARABLE INTERFACE:
PERFORMANCE-BASED PLATING, QUALIFIED TO MEET THE REQUIREMENTS OF FCI PRODUCT SPECIFICATION GS-12-0956 INCLUDING TELCORDIA GR-1217-CORE (NOVEMBER 1995) CENTRAL OFFICE TEST SEQUENCE
- PRESS-FIT TAILS: SEE TABLE
- 3 - PRODUCT SPECIFICATION: GS-12-0956
- 4 - APPLICATION SPECIFICATION: GS-20-0305
- 5 - PRODUCT MARKING, (PROTOTYPE, PART NUMBER & LOT CODE), ON THIS SURFACE.
- 6 - POSITIONS "F" AND "L" OF ODD NUMBERED COLUMNS AND POSITIONS "G" AND "M" OF EVEN NUMBERED COLUMNS CORRESPOND TO EARLY MATE HEADER PINS.
- 7 - CONNECTOR OUTLINE MAY BE SCREEN PRINTED ONTO CUSTOMER PCB TO BE USED AS A GUIDE FOR CONNECTOR PLACEMENT.
- 8 - REFER TO CUSTOMER DRAWING 10104444 FOR INFORMATION ON PCB HOLE DIAMETERS AND PLATING OPTIONS
- 9 - LEAD FREE PRODUCT MEETS THE EUROPEAN UNION DIRECTIVES & OTHER COUNTRY REGULATIONS AS DESCRIBED IN GS-22-008
- 10 - PACKAGING MEETS GS-14-920 LEAD FREE LABELING SPECIFICATION.
- 11 - GROUND CONTACTS (C, F, I, L, & O IN ODD COLUMNS AND A, D, G, J, & M IN EVEN COLUMNS) REQUIRE (Ø0.50) FINISHED HOLES. SIGNAL LOCATIONS REQUIRE (Ø0.50) FINISHED HOLES
- 12 - THESE OUTER VIAS (P) ARE OPTIONAL. WHILE NO CONNECTOR EONS ARE PRESSED INTO THESE HOLES WE RECCOMMEND (Ø0.500) FINISHED HOLES AT THESE LOCATIONS TO PROVIDE GROUND SYMMETRY THROUGH THE PCB.
- 13 - A $\triangle C$ SYMBOL WILL BE NEXT TO ANY DIMENSION, VIEW, OR NOTE, WHICH HAS BEEN MODIFIED WITH THE CURRENT DRAWING REVISION.



10123529-101 OR -101LF
10123529-102 OR -102LF

SCALE 4:1

spec ref	---	dr	Lin-See Ngwe	2012/12/04	projection	MM	size	A2	scale	10:1	
tolerance std	ASME Y14.5M	eng	Tao Zhan	2015/01/27			ecn no	ELX-DG-20056-1			
TOLERANCES UNLESS OTHERWISE SPECIFIED		chr	-	appr			Collins Lu	2015/01/28	rel level	Released	
surface	✓	linear	0.X	±.3		AirMax VS2 R.A. HEADER 5 Pair, 150 pos, 2mm, 10 Col	dwg no 10123529	rev C	Product - Customer Drw		
		angular	0°	±2°					cat. no.	sheet 3 of 3	
									www.fci.com		