

RECOMMENDED PCB LAYOUT
FOR DIFFERENTIAL APPLICATIONS
COMPONENT SIDE
(TWO ADJACENT FOOTPRINTS SHOWN)
NOTES 8 & 12

SCALE 10:1



spec ref	---	dr	Lin-Soe Ngwe	2012/1/28	projection	MM	size	A2	scale	8:1
tolerance std	ASME Y14.5M	eng	Jackie Chen	2015/02/03			ecn no	ELX-DG-20160-1		
TOLERANCES UNLESS OTHERWISE SPECIFIED		chr	-	rel level				Released		
surface	✓	appr	Collins Lu	2015/02/06	product family	AirMax VSE	rel level	Released		
linear	0.X ±.3			title AirMax VS2 R.A. HEADER 3 PAIR 54 POS 2MM 6 COL		cat. no.	Product - Customer Drw	sheet 2 of 3	rev C	
angular	0° ±2°	www.fci.com		PDS: Rev :C		STATUS:Released		Printed: Feb 09, 2015		

PRODUCT NUMBER	PRESS-FIT TAIL PLATING TYPE	SHORT DETECT CONTACT	REMARKS
10123543-101	TIN/LEAD ALLOY OVER NICKEL	NO	1-SIDED PLATING (CUSTOMER SPECIAL)
10123543-101LF	TIN OVER NICKEL (LEAD FREE)		
10123543-111	TIN/LEAD ALLOY OVER NICKEL	YES (SEE NOTE 13)	
10123543-111LF	TIN OVER NICKEL (LEAD FREE)		
10123543-102	TIN/LEAD ALLOY OVER NICKEL	NO	2-SIDED PLATING
10123543-102LF	TIN OVER NICKEL (LEAD FREE)		
10123543-112	TIN/LEAD ALLOY OVER NICKEL	YES (SEE NOTE 13)	
10123543-112LF	TIN OVER NICKEL (LEAD FREE)		

- 1 - CONNECTOR MATERIALS:
HOUSING: HIGH TEMP THERMOPLASTIC, NATURAL, UL94-V0
IMLA PLASTIC: HIGH TEMP THERMOPLASTIC, BLACK, UL94-V0
CONTACT: COPPER ALLOY
ORGANIZER: HIGH TEMP THERMOPLASTIC, NATURAL, UL94-V0
- 2 - CONTACT PLATING:
SEPARABLE INTERFACE:
PERFORMANCE-BASED PLATING, QUALIFIED TO MEET THE REQUIREMENTS OF FCI PRODUCT SPECIFICATION GS-12-0956 INCLUDING TELCORDIA GR-1217-CORE (NOVEMBER 1995) CENTRAL OFFICE TEST SEQUENCE
- PRESS-FIT TAILS: SEE TABLE

- 3 - PRODUCT SPECIFICATION: GS-12-0956
- 4 - APPLICATION SPECIFICATION: GS-20-0305

- 5 - PRODUCT MARKING, (PROTOTYPE, PART NUMBER & LOT CODE), ON THIS SURFACE.

- 6 - POSITIONS "F" OF ODD NUMBERED COLUMNS AND POSITIONS "G" OF EVEN NUMBERED COLUMNS CORRESPOND TO EARLY MATE HEADER PINS.

- 7 - CONNECTOR OUTLINE MAY BE SCREEN PRINTED ONTO CUSTOMER PCB TO BE USED AS A GUIDE FOR CONNECTOR PLACEMENT.

- 8 - REFER TO CUSTOMER DRAWING 10104444 FOR INFORMATION ON PCB HOLE DIAMETERS AND PLATING OPTIONS

- 9 - LEAD FREE PRODUCT MEETS THE EUROPEAN UNION DIRECTIVES & OTHER COUNTRY REGULATIONS AS DESCRIBED IN GS-22-008

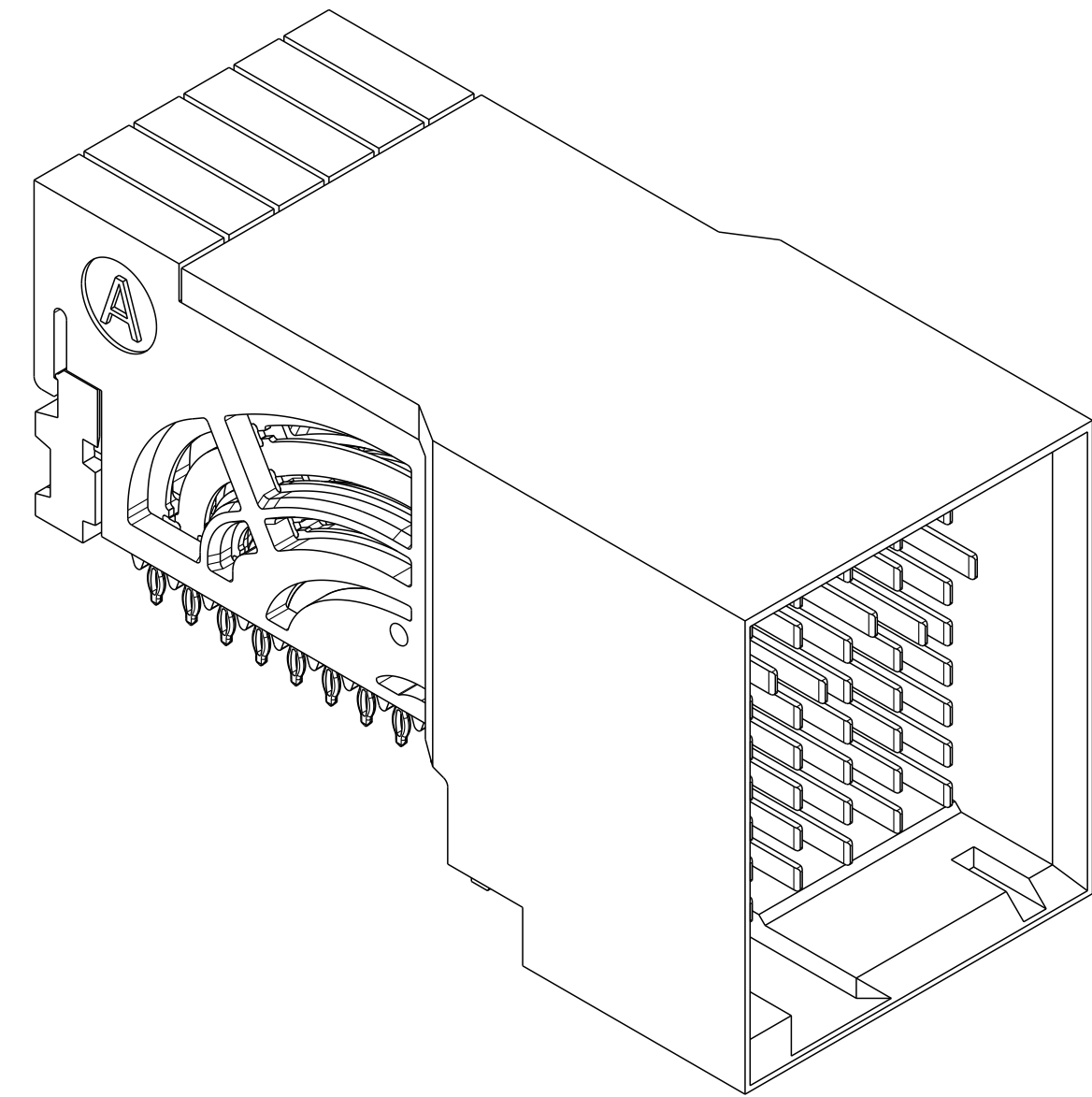
- 10 - PACKAGING MEETS GS-14-920 LEAD FREE LABELING SPECIFICATION.

- 11 - GROUND CONTACTS (C, F, & I IN ODD COLUMNS AND A, D, & G IN EVEN COLUMNS) REQUIRE (Ø0.500) FINISHED HOLES. SIGNAL LOCATIONS REQUIRE (Ø0.500) FINISHED HOLES

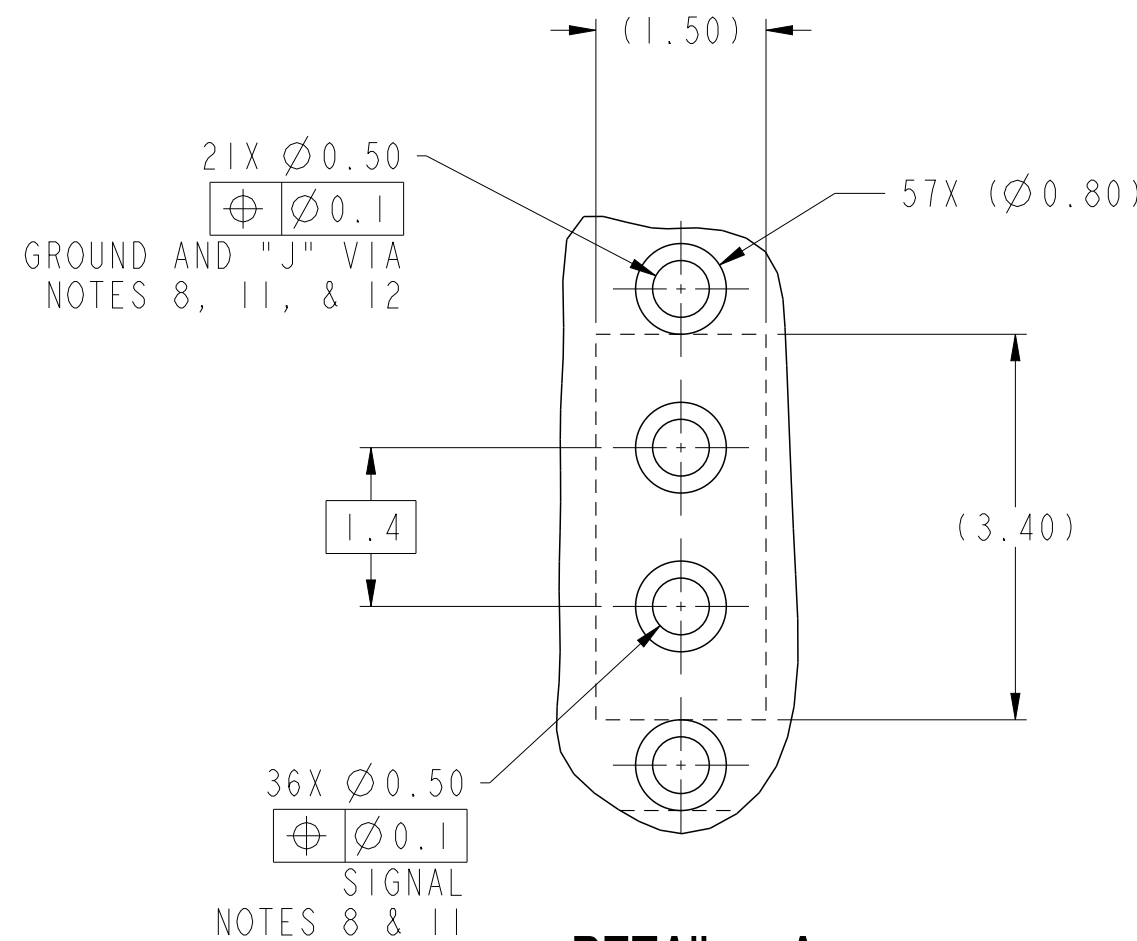
- 12 - THESE OUTER VIAS (J) ARE OPTIONAL. WHILE NO CONNECTOR EONS ARE PRESSED INTO THESE HOLES WE RECOMMEND (Ø0.500) FINISHED HOLES AT THESE LOCATIONS TO PROVIDE GROUND SYMMETRY THROUGH THE PCB.

- 13 - MATING PIN E4 HAS 0.5mm LESS NOMINAL WIPE THAN THE SHORTEST PIN.

14. A \triangle SYMBOL WILL BE NEXT TO ANY DIMENSION, VIEW, OR NOTE, WHICH HAS BEEN MODIFIED WITH THE CURRENT DRAWING REVISION.



10123543-101 OR -101LF



DETAIL A
SCALE 15:1

spec ref	---	dr	Lin-Soe Ngwe	2012/1/28	projection	MM	size	A2	scale	5:1			
tolerance std	ASME Y14.5M	eng	Jackie Chen	2015/02/03			ecn no	ELX-DG-20160-1	rel level	Released			
TOLERANCES UNLESS OTHERWISE SPECIFIED		chr	-	appr							Collins Lu	2015/02/06	product family
surface	✓	linear	0.X	±.3			title	AirMax VS2 R.A. HEADER		dwg no	10123543	rev	C
			0.XX	±.10	www.fci.com		cat. no.	-		Product - Customer Drw		sheet 3 of 3	
			0.XXX	±.050									
		angular	0°	±2°									