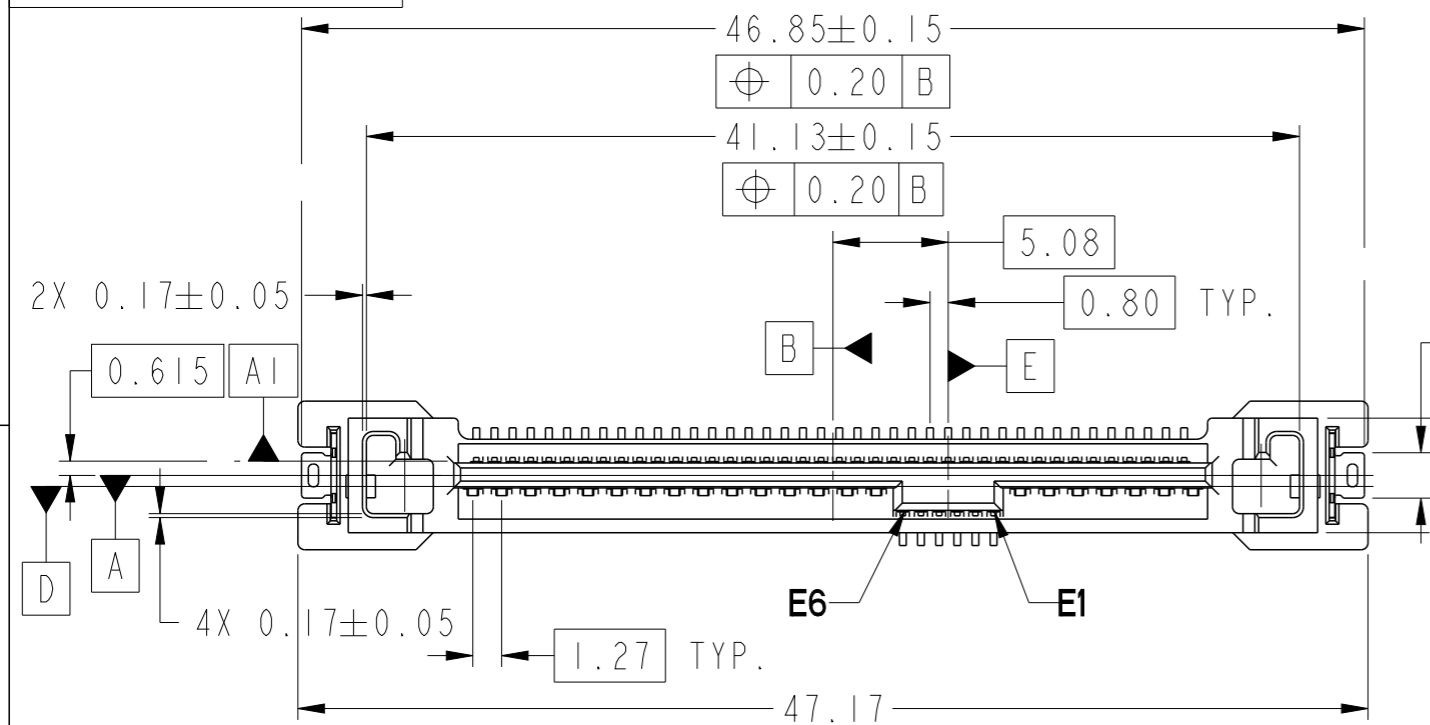
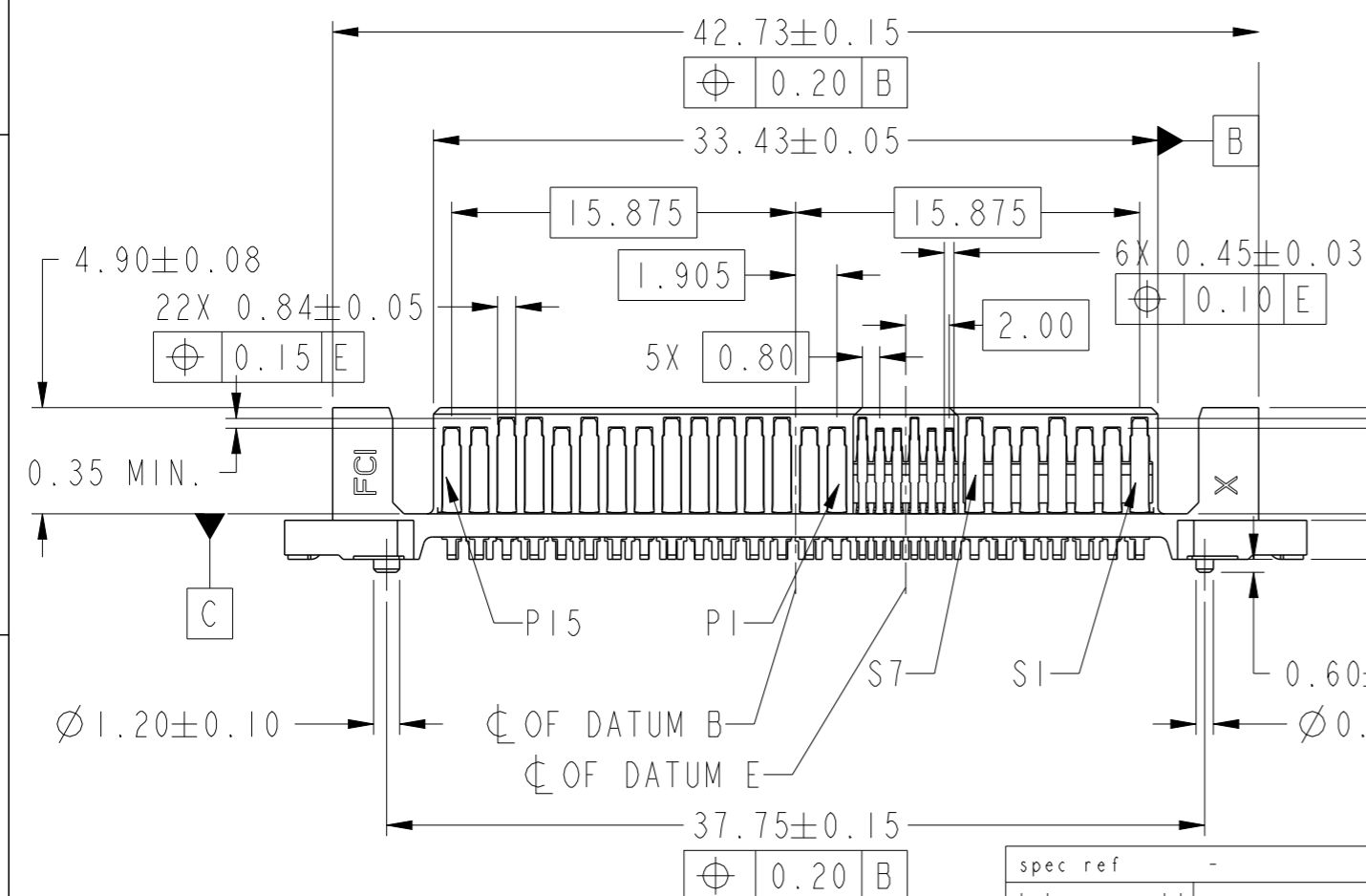
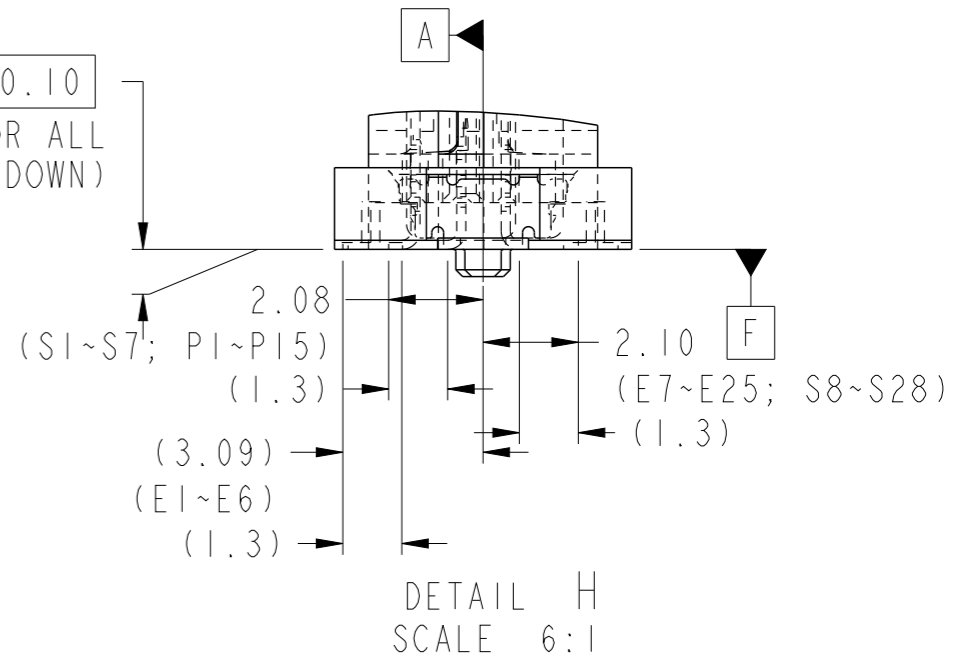


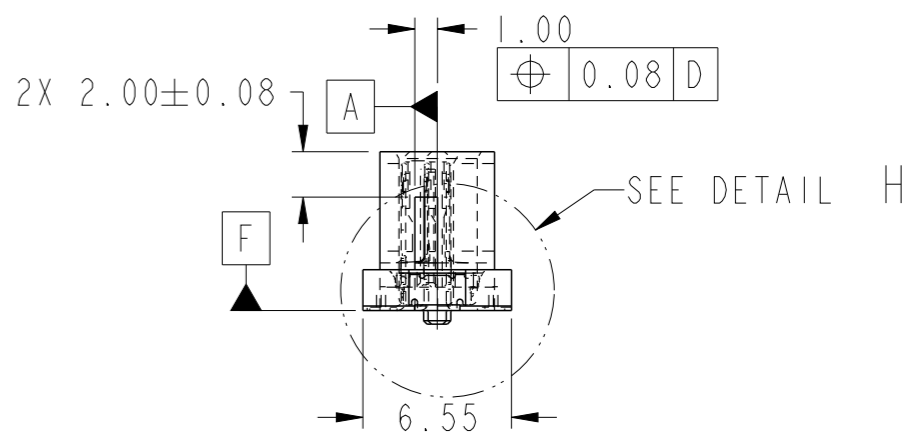
PRODUCT NUMBER
10123699-001C-TRLF



0.10
(CO-PLANARITY FOR ALL
SOLDERTAILS AND HOLD DOWN)



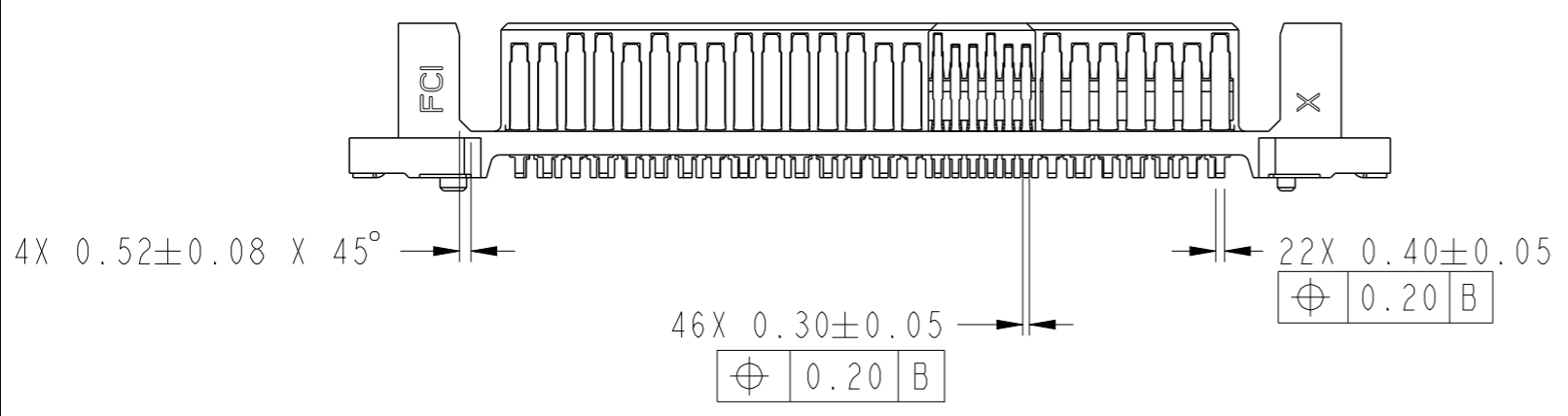
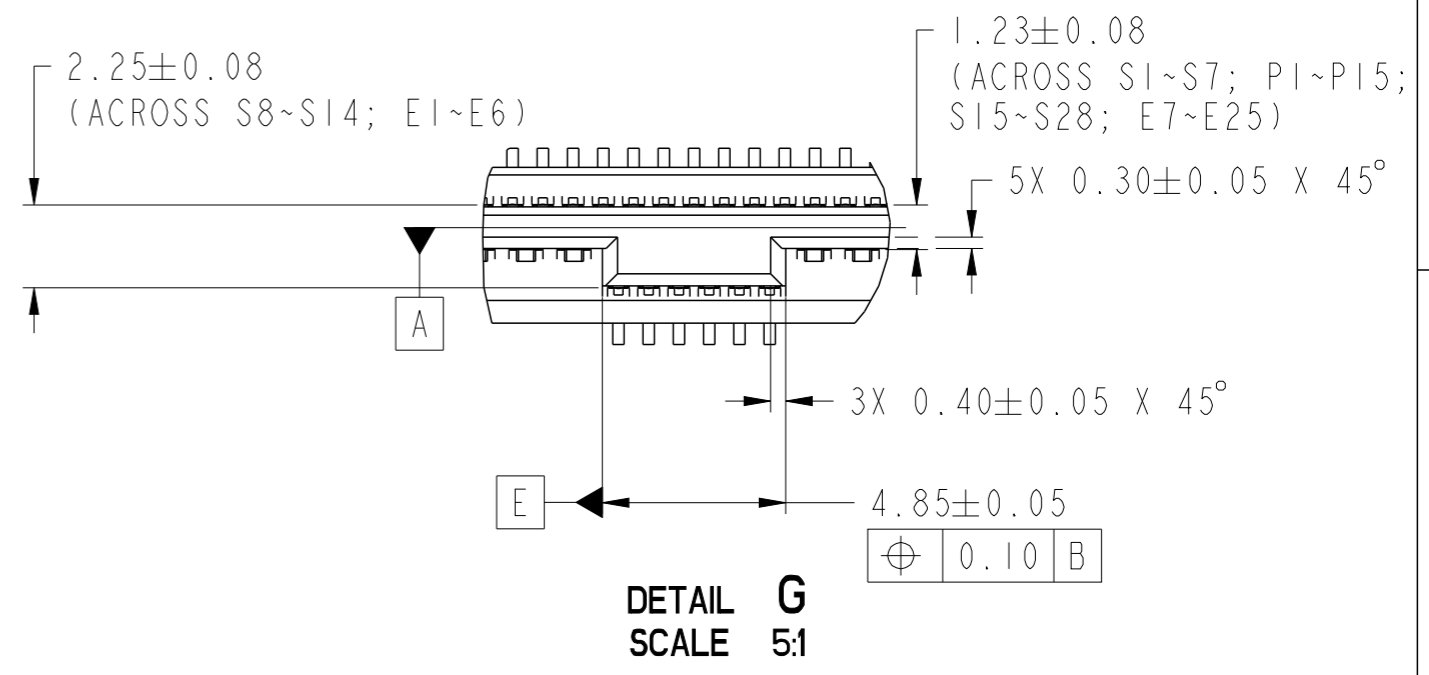
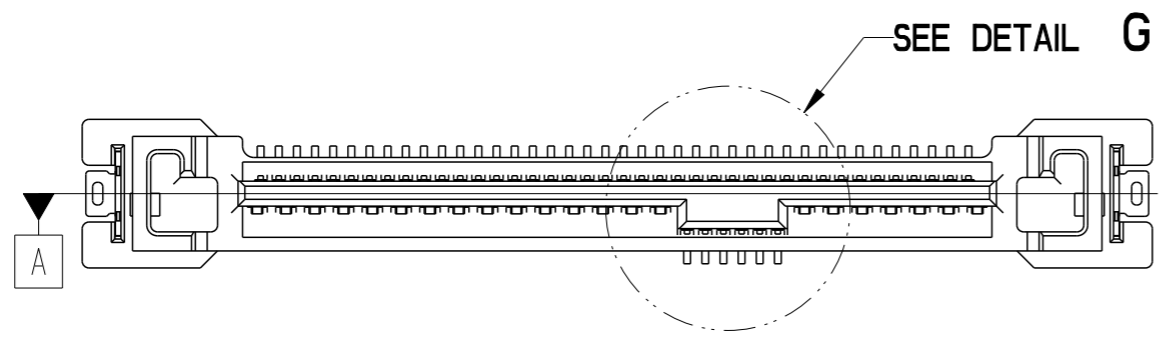
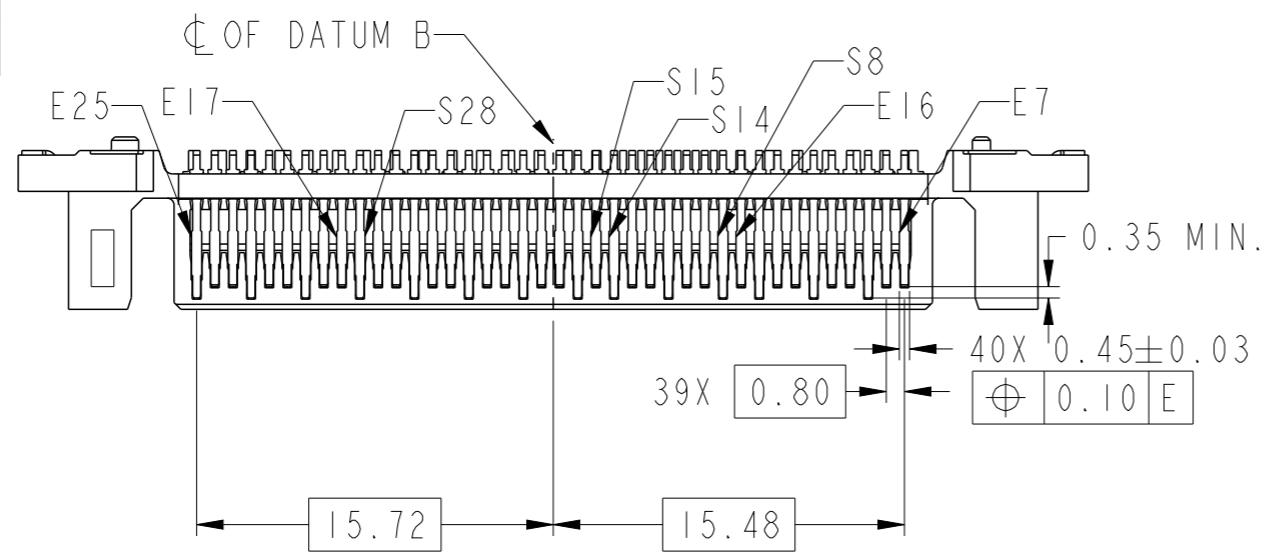
4.40±0.15
(APPLY TO ALL
LONG CONTACTS)
3.90±0.15
(APPLY TO ALL
SHORT CONTACTS)



Copyright FCI.

spec ref	-	dr	Jeffrey Lim	2014/08/28	projection	MM	size	A3	scale	3:1
tolerance std	ISO 406 ISO 1101	eng	Jeffrey Lim	2014/08/28			ecn no	-	rel level	Released
surface	ISO 1302	chr	-	apppr			Chen-Hong Tan	2014/08/28	product family	-
linear	0.X ±0.25 0.XX ±0.13 0.XXX ±0.050			SAS/PCIE PLUG VERTICAL SMT PLUG ASSY		dwg no	10123699	rev	A	
angular	0° ±2°	www.fci.com	cat. no.	-	Product - Customer Drw	sheet 1 of 3				

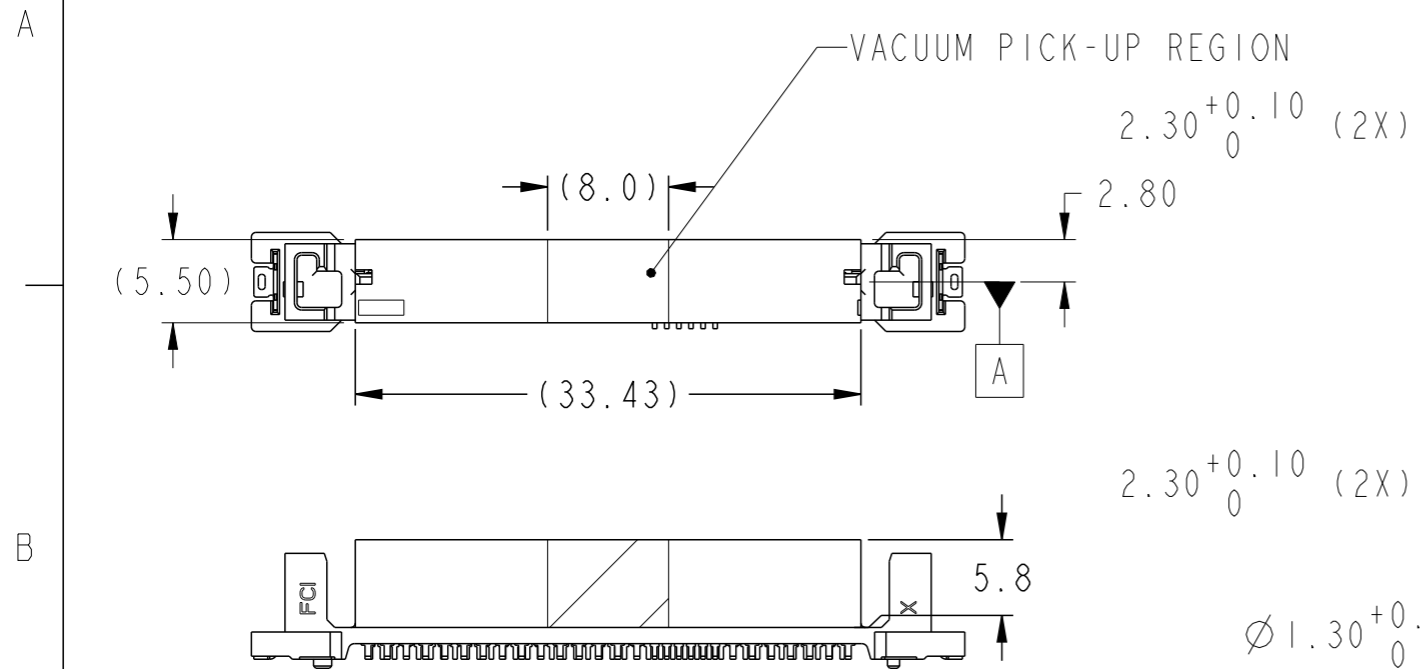
PRODUCT NUMBER
SEE TABLE



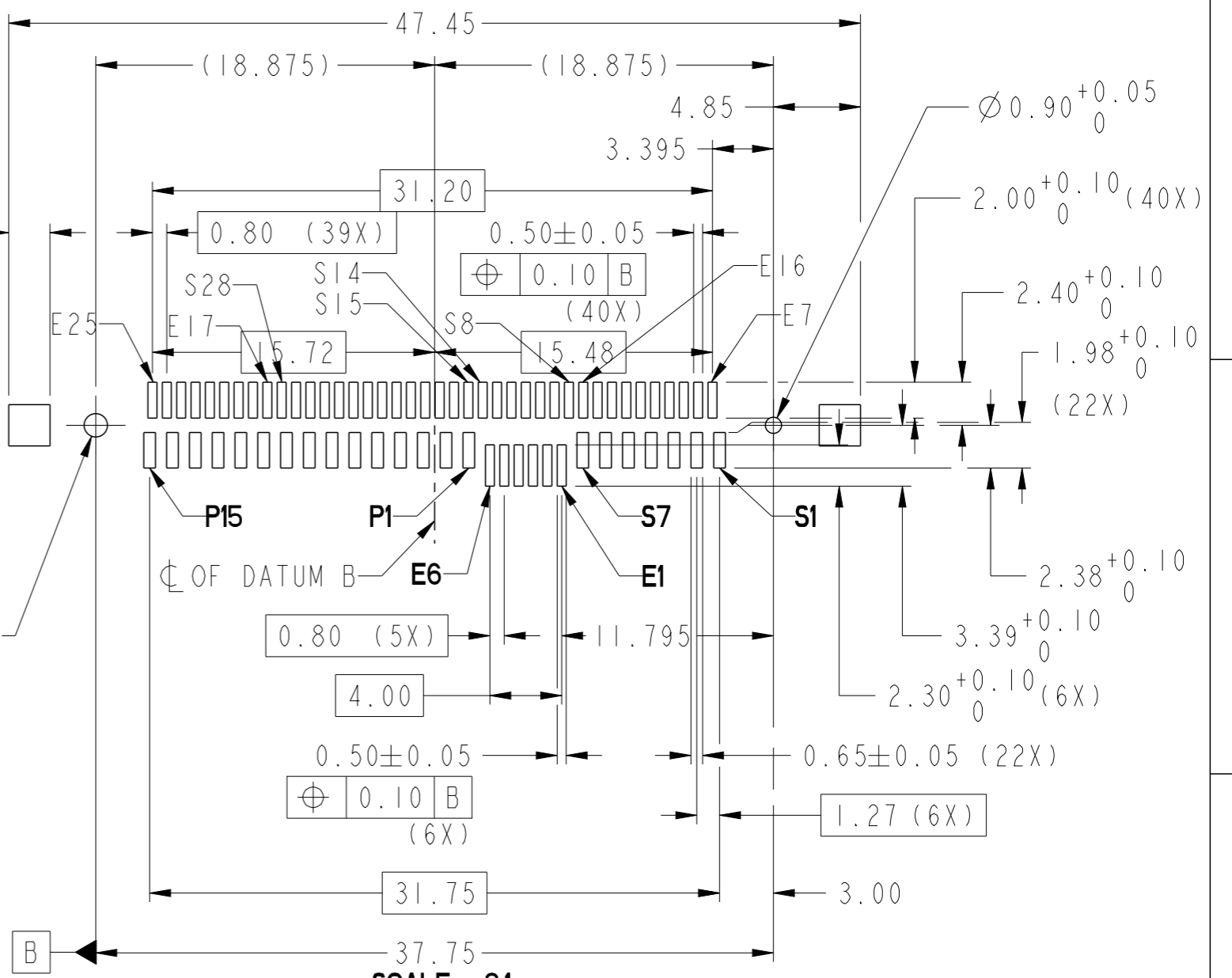
Copyright FCI.

spec ref	-	dr	Jeffrey Lim	2014/08/28	projection	MM	size	A3	scale	3:1
tolerance std	ISO 406 ISO 1101	eng	Jeffrey Lim	2014/08/28			ecn no		-	
TOLERANCES UNLESS OTHERWISE SPECIFIED		chr	-	-			rel level		Released	
surface	ISO 1302	appr	Chen-Hong Tan	2014/08/28	product family		-		-	
	linear	0.X	±0.25		SAS/PCIE PLUG		dwg no 10123699	rev		A
		0.XX	±0.13		VERTICAL SMT PLUG ASSY					
		0.XXX	±0.050							
		angular	0°	±2°	www.fci.com	cat. no.	-	Product - Customer Drw		sheet 2 of 3

PRODUCT NUMBER	PACKAGING
10123699-001C-TRLF	TAPE & REEL



SCALE 2:1
WITH PICK-UP CAP ATTACHED



SCALE 3:1
RECOMMENDED PCB LAYOUT

- NOTES:
- MATERIAL:
HOUSING & PICK-UP CAP: HIGH TEMPERATAURE THERMOPLASTIC, BLACK, UL94V-0
CONTACT & HOLD DOWN: COPPER ALLOY.
 - FINISH:
CONTACT: 1.27µm MIN. Ni UNDERPLATE OVERALL,
1.91µm MIN. 100% MATTE Sn (LEAD-FREE) ON SOLDERTAIL,
0.76µm MIN. Au ON CONTACT AREA
HOLD DOWN: 1.91µm MIN. 100% MATTE Sn (LEAD-FREE) OVER 1.27µm MIN. Ni UNDERPLATE OVERALL
 - PRODUCT SPEC.: GS-12-1169
 - PACKAGING SPEC.: GS-14-2307
 - THIS PRODUCT MEETS EUROPEAN UNION DIRECTIVES AND OTHER COUNTRY REGULATIONS AS DESCRIBED IN GS-47-0004
 - THIS PRODUCT IS COMPLY WITH SFF-8639 SPECIFICATION
 - THE HOUSING WILL WITHSTAND EXPOSURE TO 260°C PEAK TEMPERATURE FOR 10 SECONDS IN A CONVECTION, INFRA-RED OR VAPOR PHASE REFLOW OVEN.
 - A SYMBOL WILL BE NEXT TO ANY DIMENSION, VIEW OR NOTE WHICH HAS BEEN MODIFIED WITH THE CURRENT DRAWING REVISION.

spec ref	-	dr	Jeffrey Lim	2014/08/28	projection	MM	size	A3	scale	3:1	
tolerance std	ISO 406 ISO 1101	eng	Jeffrey Lim	2014/08/28			ecn no	-	rel level	Released	
TOLERANCES UNLESS OTHERWISE SPECIFIED		chr	-	2014/08/28							
surface	✓	appr	Chen-Hong Tan	2014/08/28	product family	-	rel level	Released		rev	
	linear	0.X	±0.25		SAS/PCIE PLUG		dwg no	10123699		A	
		0.XX	±0.13		VERTICAL SMT PLUG ASSY			cat. no.	-		
	angular	0°	±2°		www.fci.com				Product - Customer Drw		sheet 3 of 3