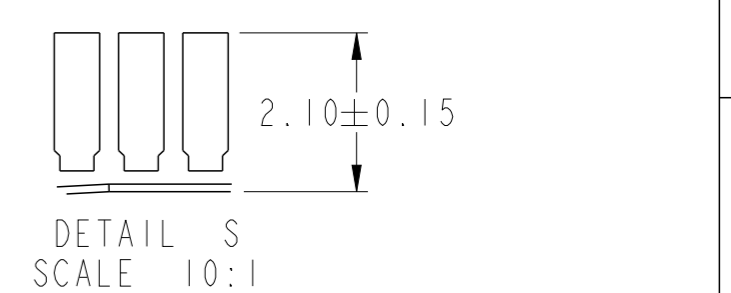
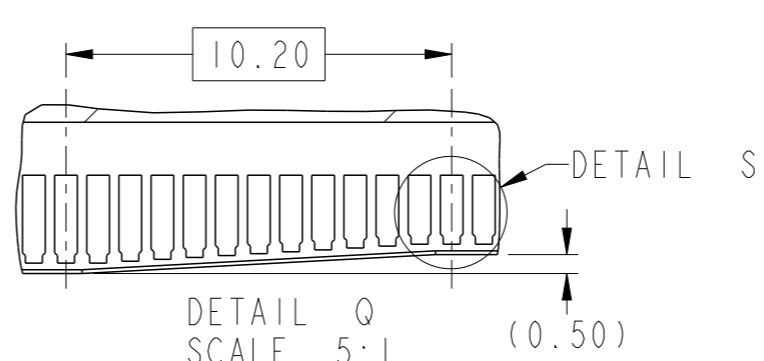
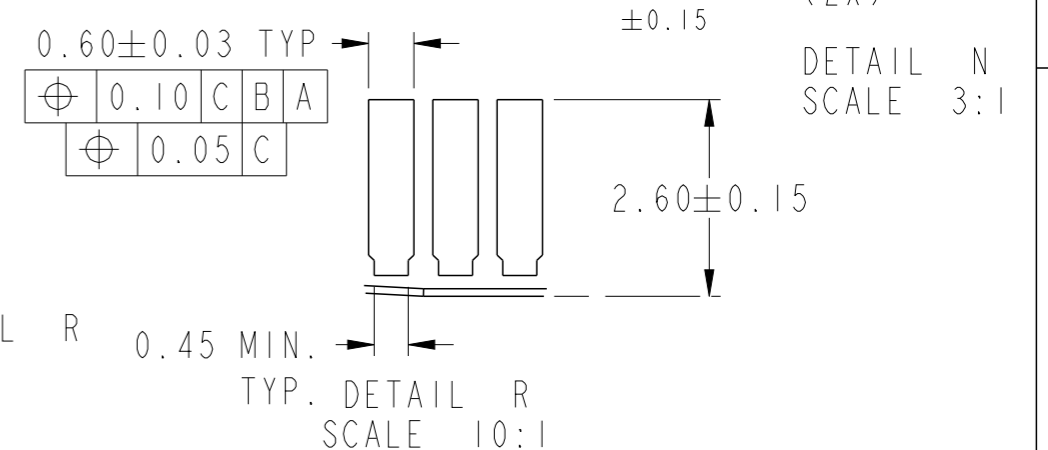
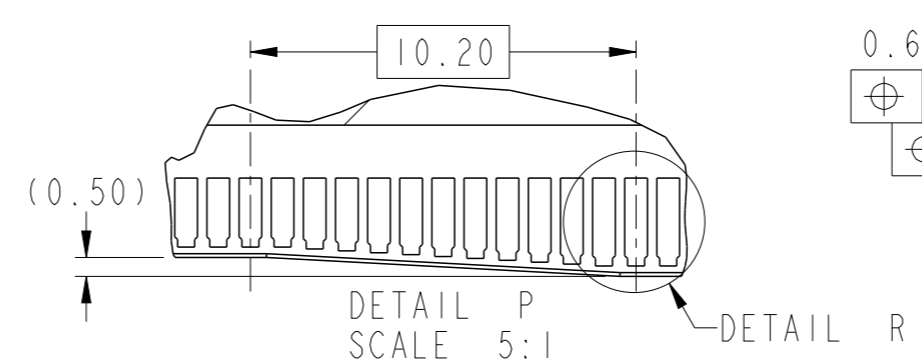
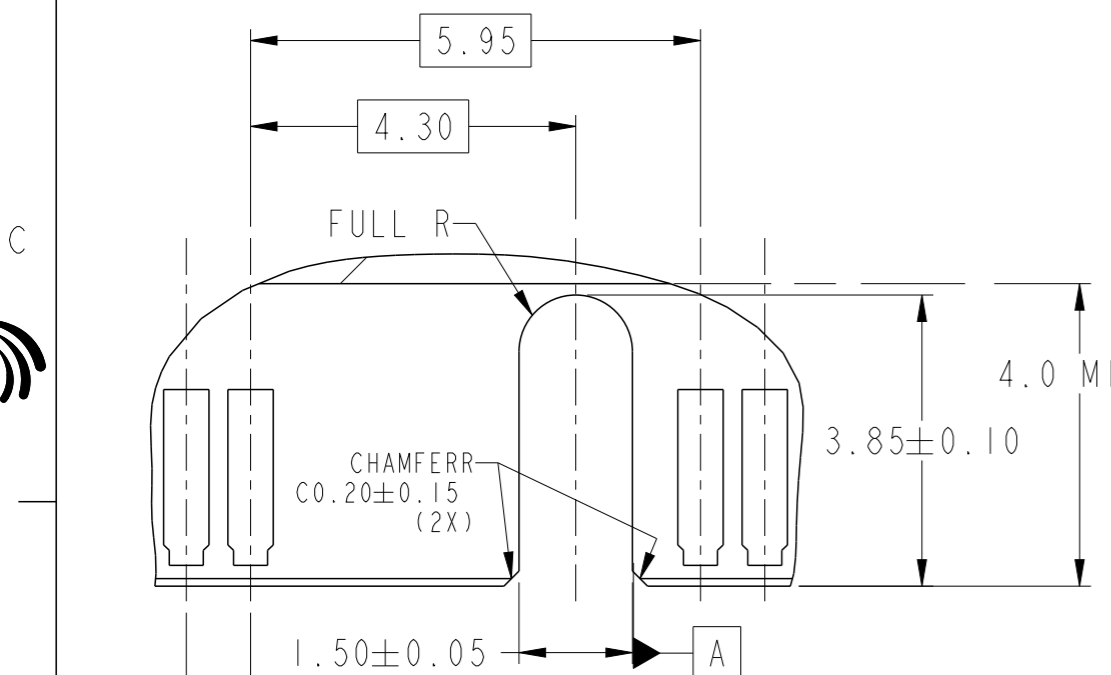
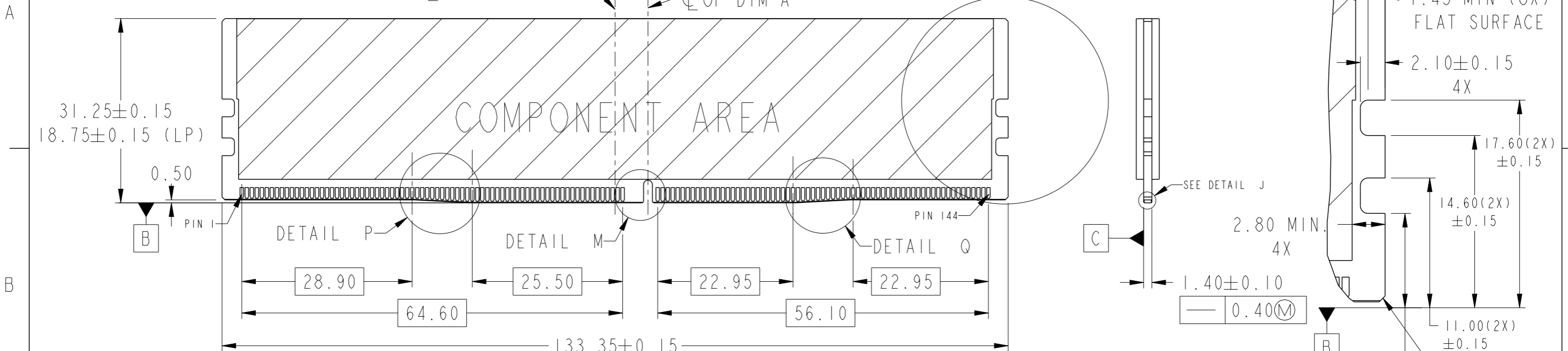


spec ref	dr	Nickor Zuo	2013/05/29	projection	MM	size	A3	scale	7:5	
tolerance std	eng	Eric Jiang	2015/09/07			ecn no	ELX-DG-21856-1			
ASME Y14.5	chr	Nickor Zuo	2015/09/07			rel level	Released			
TOLERANCES UNLESS OTHERWISE SPECIFIED surface ✓	appr	Pei-Ming Zheng	2015/09/07	product family						
	linear	0.X	±0.30		DDR4 288Pin DIMM CONNECTOR PTH TERMINATION		dwg no	10124632		rev
	0.XX	±0.20	cat. no.		-		Product - Customer Drw	sheet 1 of 5		
ASME Y14.5	angular	0°	±2°		www.fci.com					

Copyright FCI.

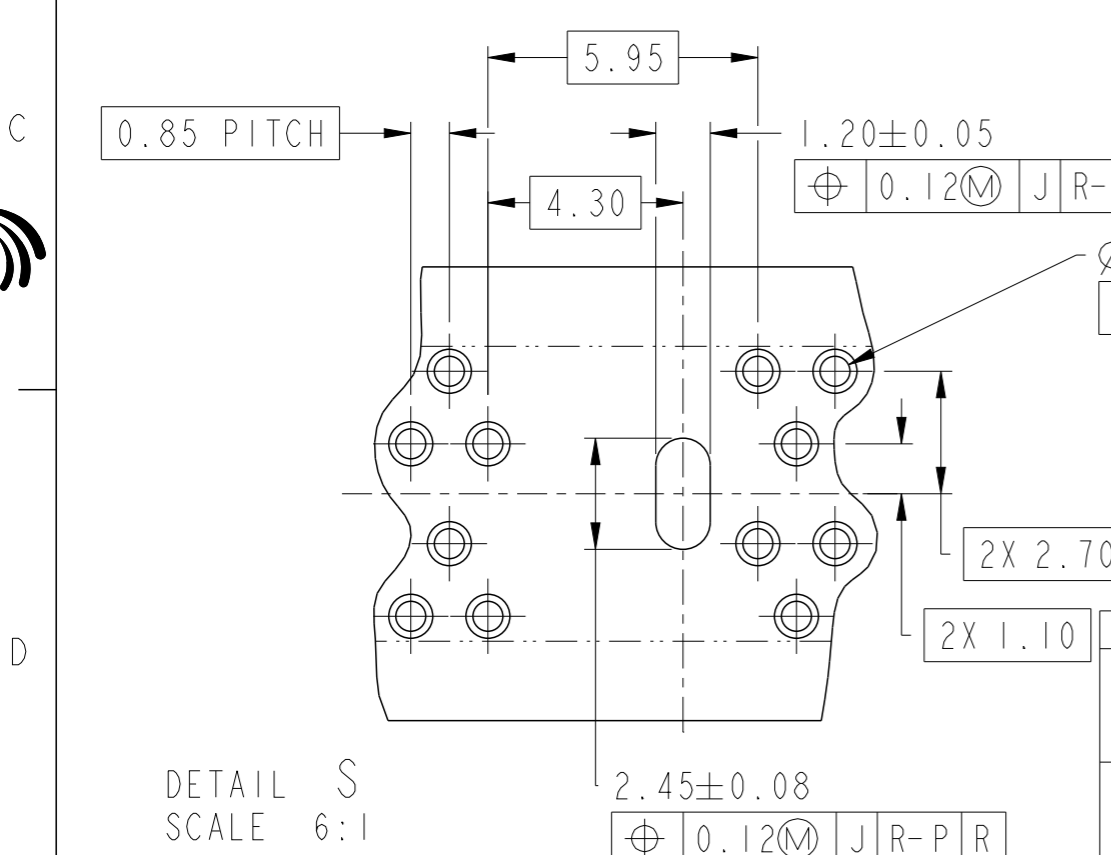
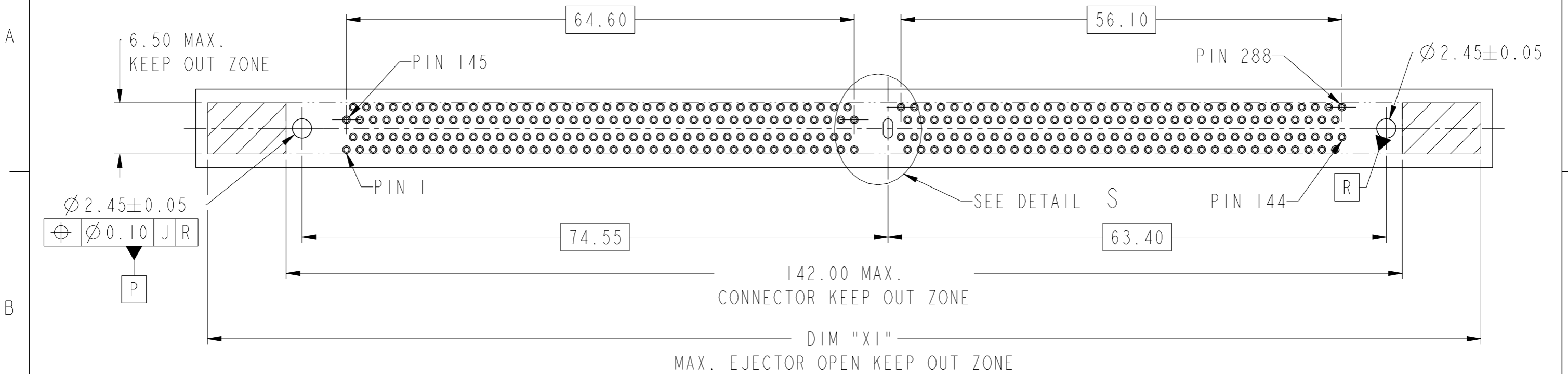
DDR4 MODULE  
 MORE INFORMATION REFER TO JEDEC MO-309



Copyright FCI.

spec ref	dr	Nickor Zuo	2013/05/29	projection	MM	size	A3	scale	3:2
tolerance std	eng	Eric Jiang	2015/09/07			ecn no	ELX-DG-21856-1	rel level	Released
ASME Y14.5	chr	Nickor Zuo	2015/09/07						
TOLERANCES UNLESS OTHERWISE SPECIFIED				product family	-				
surface	linear	0.X	±0.30		DDR4 288Pin DIMM CONNECTOR PTH TERMINATION	dwg no	10124632	rev	D
ASME Y14.5	angular	0.XX	±0.20						
		0.XXX	±0.10						
www.fci.com				cat. no.	-	Product - Customer Drw	sheet 2 of 5		

RECOMMENDED PCB LAYOUT  
 MORE INFORMATION REFER TO JEDEC SO-016



spec ref	dr	Nickor Zuo	2013/05/29	projection	MM	size	A3	scale	2:1
tolerance std	eng	Eric Jiang	2015/09/07			ecn no	ELX-DG-21856-1		
TOLERANCES UNLESS OTHERWISE SPECIFIED		chr	Nickor Zuo			2015/09/07	rel level	Released	
surface	linear	appr	Pei-Ming Zheng	2015/09/07	product family			cat. no.	-
ASME Y14.5	angular			www.fci.com	DDR4 288Pin DIMM CONNECTOR	PTH TERMINATION	dwg no	10124632	rev
									D

Copyright FCI. FCI

# PRODUCT PART NUMBER

10124632-□□□□□□□□

## ADDITIONAL REQUIREMENTS

0: RoHS COMPLIANT

## HOLD DOWNS CONFIGURATIONS

- 0: 3 FORKLOCKS, DIM "Y" = 4.00 ± 0.25
- 1: 3 FORKLOCKS, DIM "Y" = 2.50 ± 0.25
- 2: 3 FORKLOCKS, DIM "Y" = 3.78 ± 0.25
- 3: 3 SPECIFIED FORKLOCKS, DIM "Y" = 3.78 ± 0.25



## DIM "L", TAIL LENGTH

- 0: 2.60 ± 0.25
- 1: 3.20 ± 0.25
- 3: 2.40 ± 0.25
- 4: 2.10 ± 0.25 / -0.15
- 5: 2.95 ± 0.25
- 6: 2.80 ± 0.15

## HOUSING COLOR

- 0: NATURAL
- 1: BLACK
- 2: BLUE
- 3: YELLOW

## EJECTOR TYPE

## TAIL PLATING

LF: 100u" MIN. MATTE TIN  
TL: 100u" MIN. TIN LEAD

## CONTACT AREA PLATING

CODE	CONTACT AREA	UNDERPLATING
1	15u" MIN. GOLD	50u" MIN. NICKEL
3	30u" MIN. GOLD	
4	30u" MIN. GXT	
5	15u" MIN. GXT	90u" MIN. NICKEL
6	30u" MIN. GOLD	
7	15u" MIN. GOLD	
G	GOLD FLASH	

## CONTACTS LUBRICATION

- 0: WITHOUT
- 1: WITH

CODE	COLOR	DIM "X1"	DIM "X2"	DIM "W"	DIM "X3"	EJECTOR FIGURE
0	NATURAL	162.00	149.00	(6.42)	(19.95)	
1	BLACK					
2	BLUE					
A	GREEN	152.00	142.00	(6.42)	(19.35)	
3	NATURAL					
4	BLACK					
5	BLUE	152.00	142.00	(6.42)	(19.35)	
9	GREEN					
B	NATURAL					
C	BLACK	152.00	142.00	(6.42)	(19.35)	
G	GREEN					
6	NATURAL					
7	BLACK	157.00	145.00	(4.00)	(19.65)	
8	BLUE					
J	NATURAL					
K	BLACK	155.00	145.00	(6.42)	(19.65)	
M	GREEN					

CODE	COLOR	DIM "X1"	DIM "X2"	DIM "W"	DIM "X3"	EJECTOR FIGURE
N	NATURAL	155.00	145.00	(6.42)	(19.65)	SAME TO "J/K/M" EXCEPT HAVING A SMALL LOCKING BUMP
P	BLACK					
Q	GREEN					
R	NATURAL	155.00	145.00	(6.42)	(19.65)	
S	BLACK					
T	GREEN					



dr	Nickor Zuo	2013/05/29	projection	MM	size	A3	scale	1:1	
eng	Eric Jiang	2015/09/07		← →	ecn no	ELX-DG-21856-1			
chr	Nickor Zuo	2015/09/07			product family	rel level	Released		
appr	Pei-Ming Zheng	2015/09/07			dwg no	10124632		rev	D
www.fci.com		cat. no.	-		Product - Customer Drw		sheet 4 of 5		



Copyright FCI.

# PRODUCT PART NUMBER

10124632-□□□□□□□□

### ADDITIONAL REQUIREMENTS

1: HALOGEN FREE COMPLIANT

### HOLD DOWNS CONFIGURATIONS

0: 3 FORKLOCKS, DIM "Y" = 4.00 ± 0.25  
 1: 3 FORKLOCKS, DIM "Y" = 2.50 ± 0.25  
 2: 3 FORKLOCKS, DIM "Y" = 3.78 ± 0.25

### DIM "L", TAIL LENGTH

0: 2.60 ± 0.25  
 1: 3.20 ± 0.25  
 3: 2.40 ± 0.25  
 4: 2.10 + 0.25 / - 0.15  
 5: 2.95 ± 0.25  
 6: 2.80 ± 0.15

### HOUSING COLOR

0: NATURAL  
 1: BLACK

### EJECTOR TYPE

CODE	COLOR	DIM "X1"	DIM "X2"	DIM "W"	DIM "X3"	EJECTOR FIGURE
0	NATURAL	162.00	149.00	(6.42)	(19.95)	
1	BLACK					
3	NATURAL	152.00	142.00	(6.42)	(19.35)	
4	BLACK					

### TAIL PLATING

LF: 100u" MIN. MATTE TIN  
 TL: 100u" MIN. TIN LEAD

### CONTACT AREA PLATING

CODE	CONTACT AREA	UNDERPLATING
1	15u" MIN. GOLD	50u" MIN. NICKEL
3	30u" MIN. GOLD	
4	30u" MIN. GXT	
5	15u" MIN. GXT	90u" MIN. NICKEL
6	30u" MIN. GOLD	
7	15u" MIN. GOLD	
G	GOLD FLASH	

### CONTACTS LUBRICATION

0: WITHOUT  
 1: WITH

### NOTES:

- MATERIALS:  
 HOUSING: HIGH PERFORMANCE RESINS, GLASS FIBER FILLED, UL94 V-0 RATED.  
 EJECTOR: HIGH PERFORMANCE RESINS, GLASS FIBER FILLED, UL94 V-0 RATED.  
 TERMINAL: COPPER ALLOY  
 FORKLOCK: COPPER ALLOY
- DATE CODE "MMDDYY", MMDDYY IS ASSEMBLY DATE, L IS FCI PRODUCTION LINE.
- SPECIFICATION:  
 PRODUCTION SPECIFICATION: FCI GS-12-1092.  
 PACKAGE SPECIFICATION: FCI GS-14-2267.  
 APPLICATION SPECIFICATION: FCI GS-20-0353.
- LEAD FREE PRODUCT MEETS EUROPEAN UNION DIRECTIVES AND OTHER COUNTRY REGULATIONS AS DESCRIBED IN FCI GS-22-008.
- THIS PRODUCT WILL WITHSTAND EXPOSURE TO 260°C PEAK TEMPERATURE FOR 10 SECONDS IN WAVE SOLDERING APPLICATION.
- A SYMBOL WILL BE NEXT TO ANY DIMENSION, VIEW, OR NOTE WHICH HAS BEEN MODIFIED WITH THE CURRENT DRAWING REVISION

dr	Nickor Zuo	2013/05/29		MM 	size	A3	scale	1:1
eng	Eric Jiang	2015/09/07			ecn no	ELX-DG-21856-1		
chr	Nickor Zuo	2015/09/07			rel level	Released		
appr	Pei-Ming Zheng	2015/09/07			product family	-		
		DDR4 288Pin DIMM CONNECTOR PTH TERMINATION			dwg no 10124632	rev D		
www.fci.com		cat. no.	-	Product - Customer Drw	sheet 5 of 5			