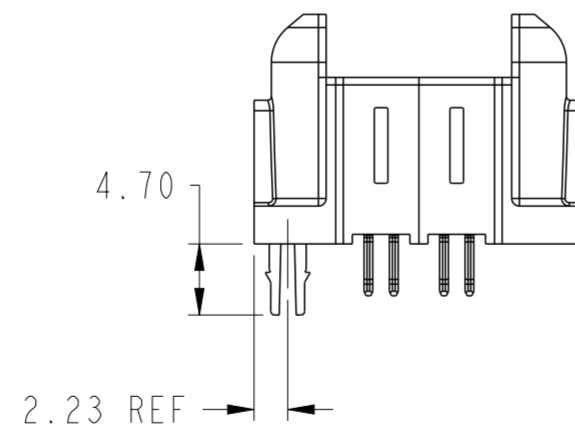
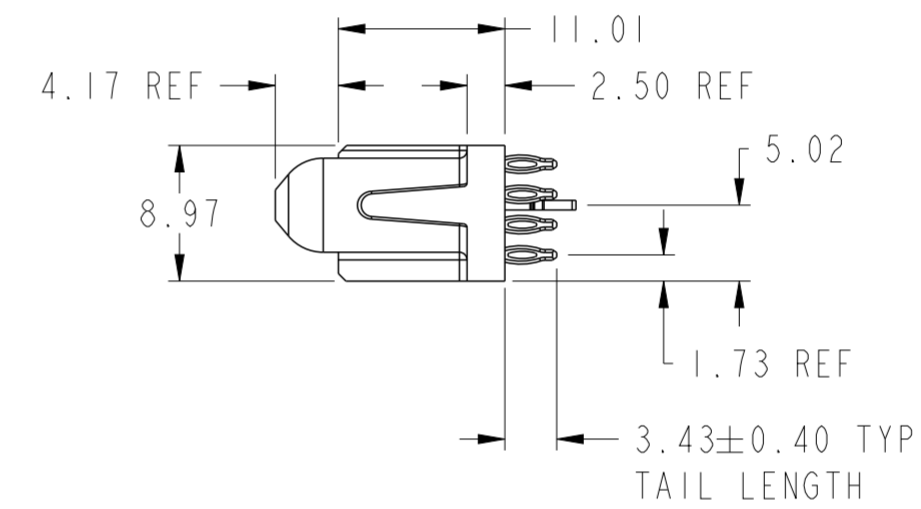
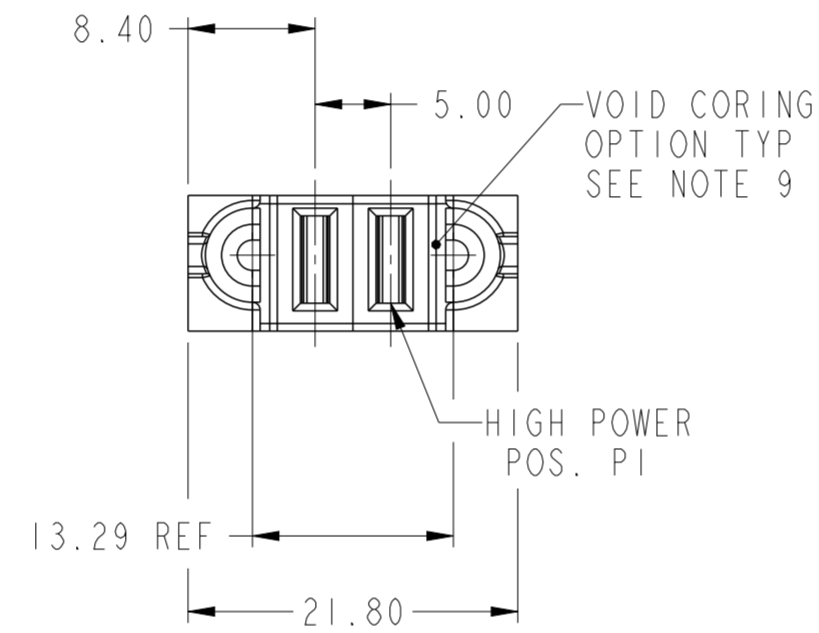
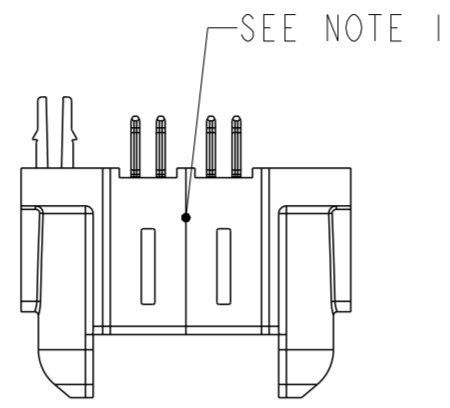


PRODUCT NUMBER
10127402-06H1000LF



spec ref	-	dr	De-Ming Lu	2016/12/05	projection	mm	size	A2	scale	2:1			
tolerance std	ISO 406 ISO 1101	eng	De-Ming Lu	2016/12/16		mm	ecn no	-	rel level	Released			
TOLERANCES UNLESS OTHERWISE SPECIFIED		chr	Fancy Zhang	2016/12/16							product family	PwrBlade ULTRA	
surface	ISO 1302	appr	Pai-Ming Zheng	2016/12/16			title	2HP, PRESS-FIT VERT RECEPTACLE, PwrBlade ULTRA		div no	10127402-06H1000	rev	A
					linear	0.X	±0.5	cat. no.	-	Product - Customer Drw	sheet 1 of 3		
					0.XX	±0.25							
					0.XXX	±0.130							
					angular	0°	±2°						

PDS: Rev :A

STATUS:Released

Printed: Dec 16, 2016

PRODUCT NO.

ROWS

HP

E2

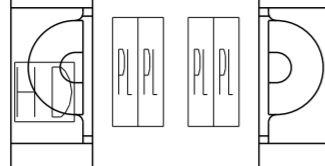
P2

P1

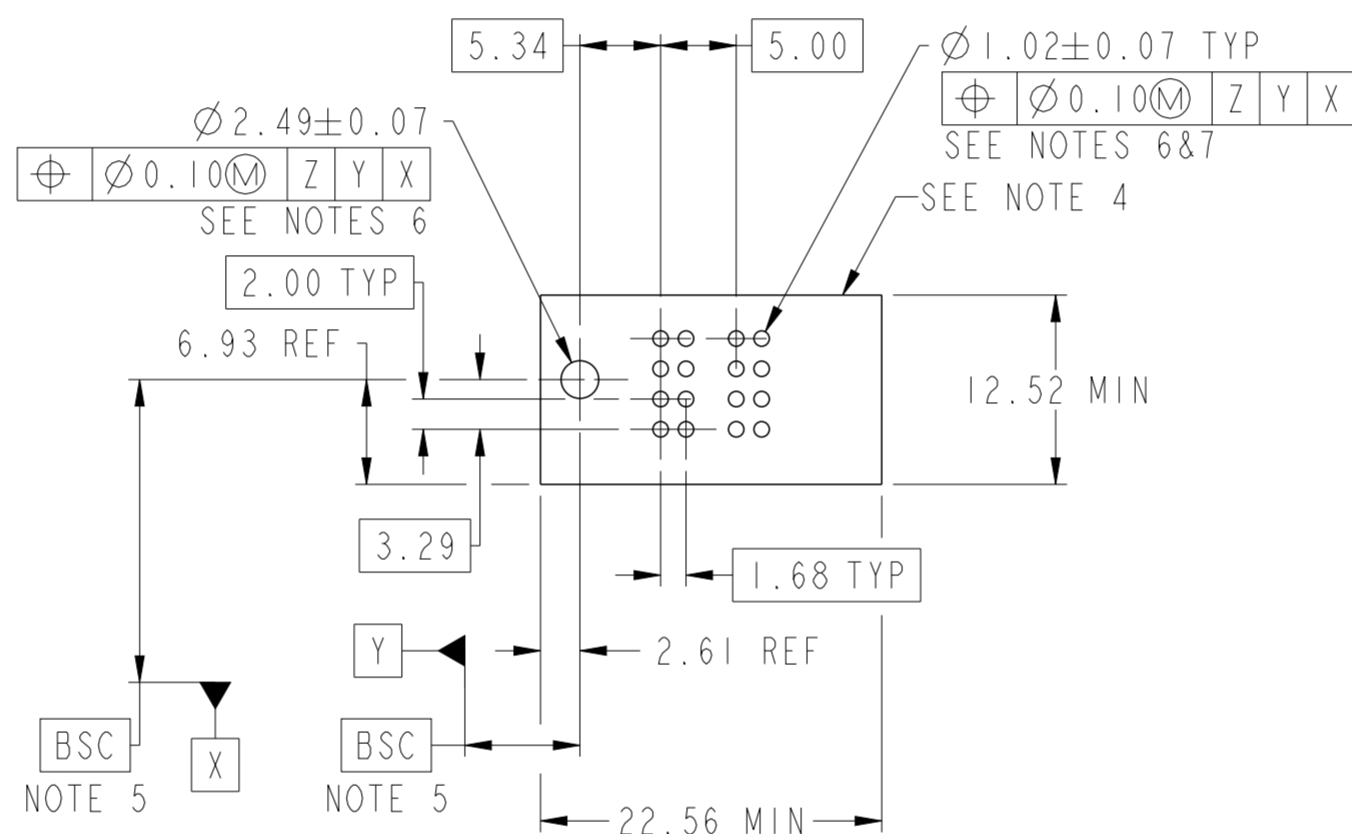
E1

10127402-06H1000LF

C
B
A



CODE	DESCRIPTION
PL	POWER CONTACT
HD	HOLD DOWN



Z

Amphenol
FCi

© 2016 AFci

spec ref	-	dr	De-Ming Lu	2016/12/05	projection	mm	size	A2	scale	2:1
tolerance std	ISO 406 ISO 1101	eng	De-Ming Lu	2016/12/16		← mm →	ecn no	-	rel level	Released
TOLERANCES UNLESS OTHERWISE SPECIFIED		chr	Fancy Zhang	2016/12/16						
surface	ISO 1302	appr	Pai-Ming Zheng	2016/12/16	product family	PwrBlade ULTRA	rel level	Released	div no	10127402-06H1000
	linear	0.X	±0.5	Amphenol FCi	title		2HP, PRESS-FIT	rev	A	cat. no.
		0.XX	±0.25		VERT RECEPTACLE, PwrBlade ULTRA		Product - Customer Drw			
	angular	0°	±2°		sheet 2 of 3					

PDS: Rev :A

STATUS:Released

Printed: Dec 16, 2016

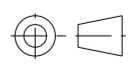
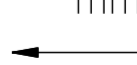

PRODUCT NUMBER
10127402-06H1000LF

NOTES:

- ①. PRODUCT MARK:
PART NUMBER AND DATE CODE TO BE MARKED ON THIS SURFACE.
THE MARK CAN BE OMITTED IF THERE IS NOT ENOUGH SPACE ON THIS SURFACE.
2. MATERIALS:
HOUSING: HIGH TEMP THERMOPLASTIC WITH GLASS FIBER, UL94V-0, BLACK.
POWER CONTACTS: HIGH CONDUCTIVITY COPPER ALLOY.
SIGNAL CONTACTS: COPPER ALLOY.
HOLD DOWN: COPPER ALLOY.
- ③. PLATING SPECIFICATION: AFCI 10135186.
- ④. DENOTES CONNECTOR KEEP OUT ZONE.
- ⑤. DATUM AND BASIC DIMENSION ARE ESTABLISHED BY CUSTOMER.
- ⑥. ALL HOLE DIAMETERS ARE FINISHED HOLE SIZES.
7. 1.150±0.025mm DRILLED HOLE PLATED WITH 7.62µm MIN Sn OVER
25.4µm-76.2µm Cu PLATING TO ACHIEVE A 1.02±0.07mm FINISHED HOLE.
8. THE PRODUCT IS NOT INTENDED TO BE EXPOSED TO A MANUFACTURING SOLDER PROCESS.
- ⑨. THE VOID CORING BETWEEN POWER MODULES, SIGNAL MODULES AND END MODULES ARE
OPTIONAL AND THE SHAPE MAY BE DIFFERENT TO OPTIMIZE THE MOLDING
PROCESS. THE VOID CORING WILL NOT EFFECT THE PRODUCT FUNCTION.
10. THIS PRODUCT MEETS EUROPEAN UNION DIRECTIVES AND OTHER COUNTRY REGULATIONS
AS DESCRIBED IN AFCI GS-47-0004.
11. PRODUCT SPECIFICATION: AFCI GS-12-1176.
APPLICATION SPECIFICATION: AFCI GS-20-0389.
PRODUCT PACKAGE SPECIFICATION: AFCI GS-14-2354.

Amphenol
FCI

© 2016 AFCI

spec ref	-	dr	De-Ming Lu	2016/12/05	projection	mm	size	A2	scale	2:1
tolerance std	ISO 406 ISO 1101	eng	De-Ming Lu	2016/12/16			ecn no	-		
TOLERANCES UNLESS OTHERWISE SPECIFIED		chr	Fancy Zhang	2016/12/16			rel level	Released		
surface	ISO 1302	appr	Pai-Ming Zheng	2016/12/16			product family	PwrBlade ULTRA		
	linear	0.X	±0.5		title		2HP, PRESS-FIT	dwg no 10127402-06H1000	rev A	
		0.XX	±0.25		VERT RECEPTACLE, PwrBlade ULTRA					
	angular	0°	±2°		cat. no.	-	Product - Customer Drw			sheet 3 of 3

PDS: Rev :A

STATUS:Released

Printed: Dec 16, 2016