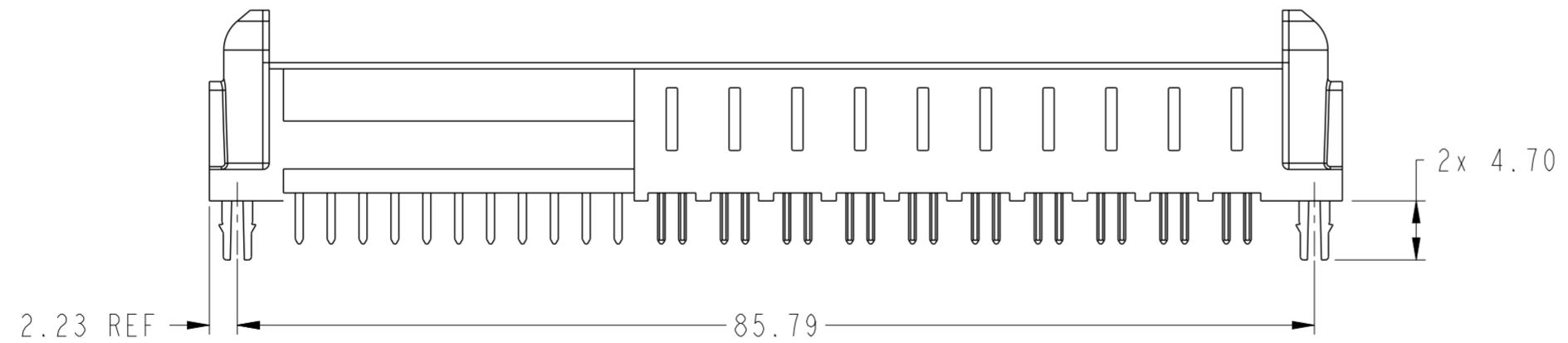
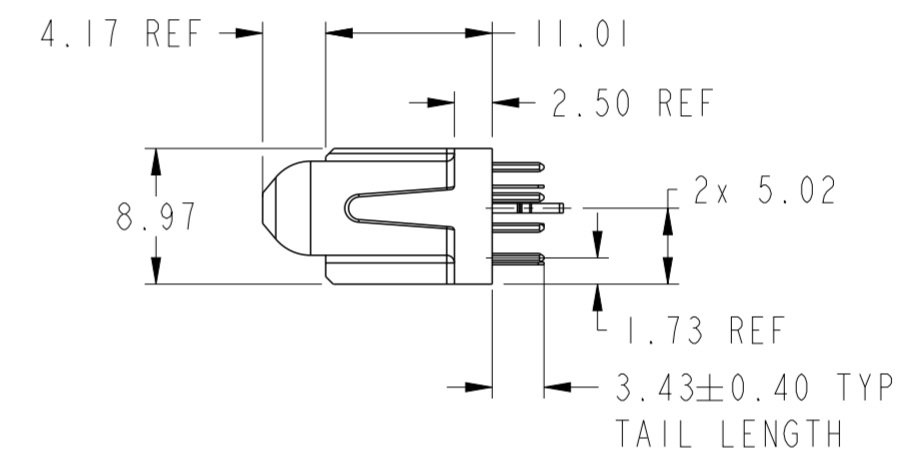
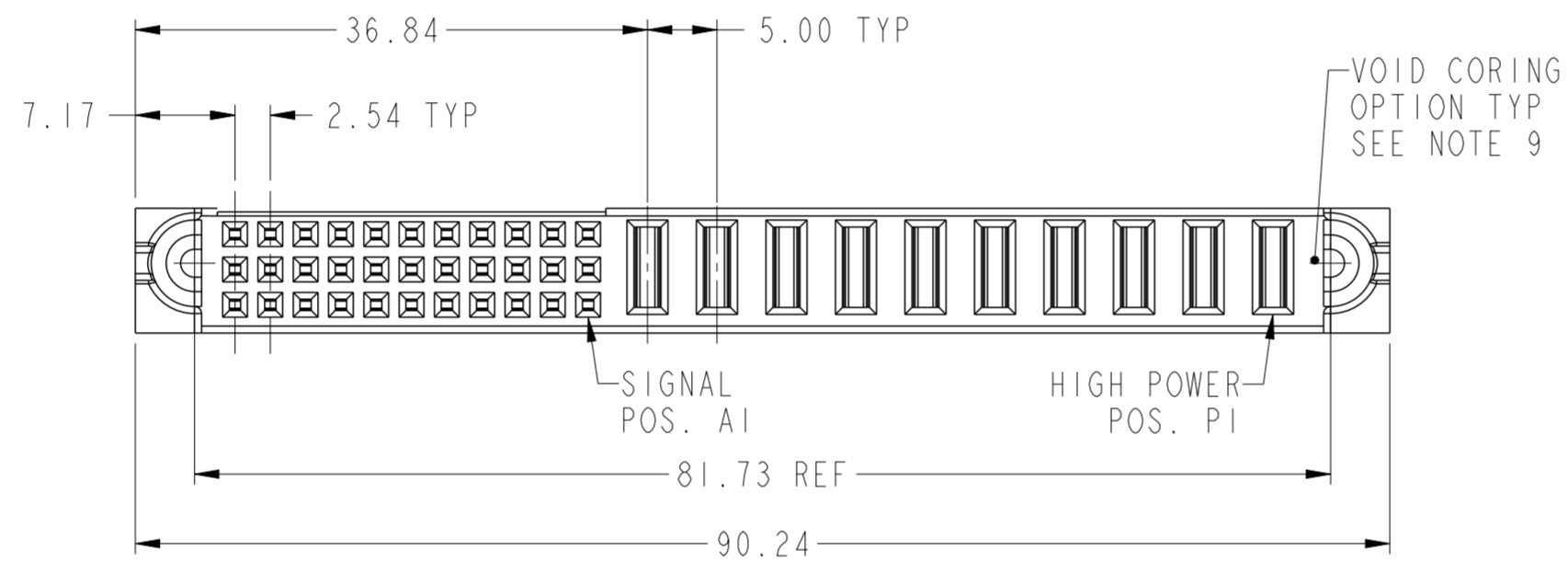
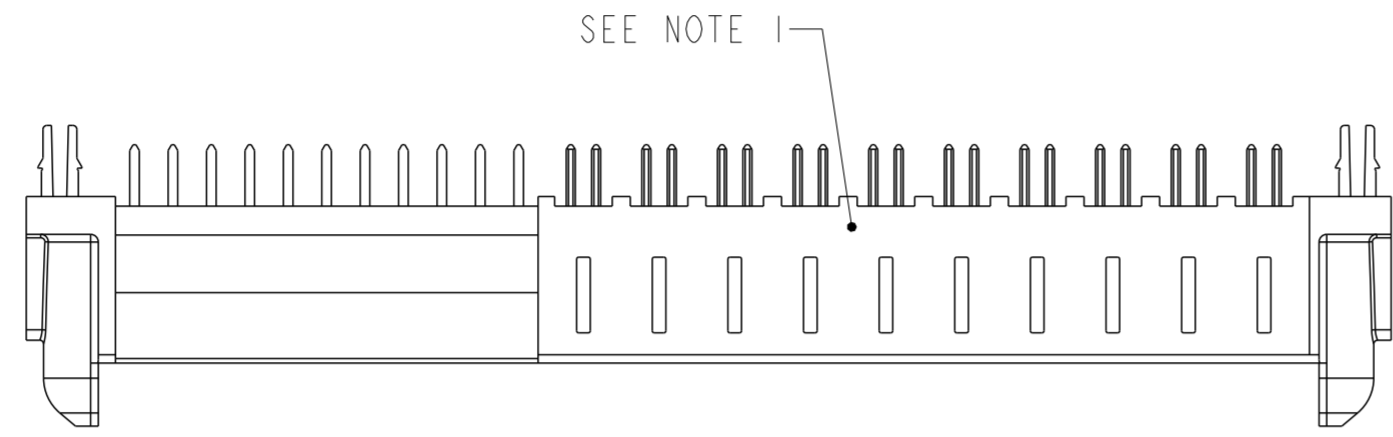


PRODUCT NUMBER
10127403-13HI400LF



Copyright FCI. FCI

spec ref	-	dr	Kaka Zhang	2015/07/22	projection	mm	size	A2	scale	2:1
tolerance std	ASME Y14.5	eng	De-Ming Lu	2015/12/29		mm	ecn no	-	rel level	Released
TOLERANCES UNLESS OTHERWISE SPECIFIED		chr	Fancy Zhang	2015/12/29						
surface	ASME Y14.5	appr	Pei-Ming Zheng	2015/12/29	product family	PwrBlade ULTRA	rel level	Released	div no	10127403-13HI400
linear	0.X ±0.5 0.XX ±0.25 0.XXX ±0.130			title	10HP+33S, SOLDER-TO-BOARD VERT RECEPTACLE, PwrBlade ULTRA		rev	A		
angular	0° ±2°	www.fci.com	cat. no.	-	Product - Customer Drw	sheet 1 of 3				

PRODUCT NO.

ROWS

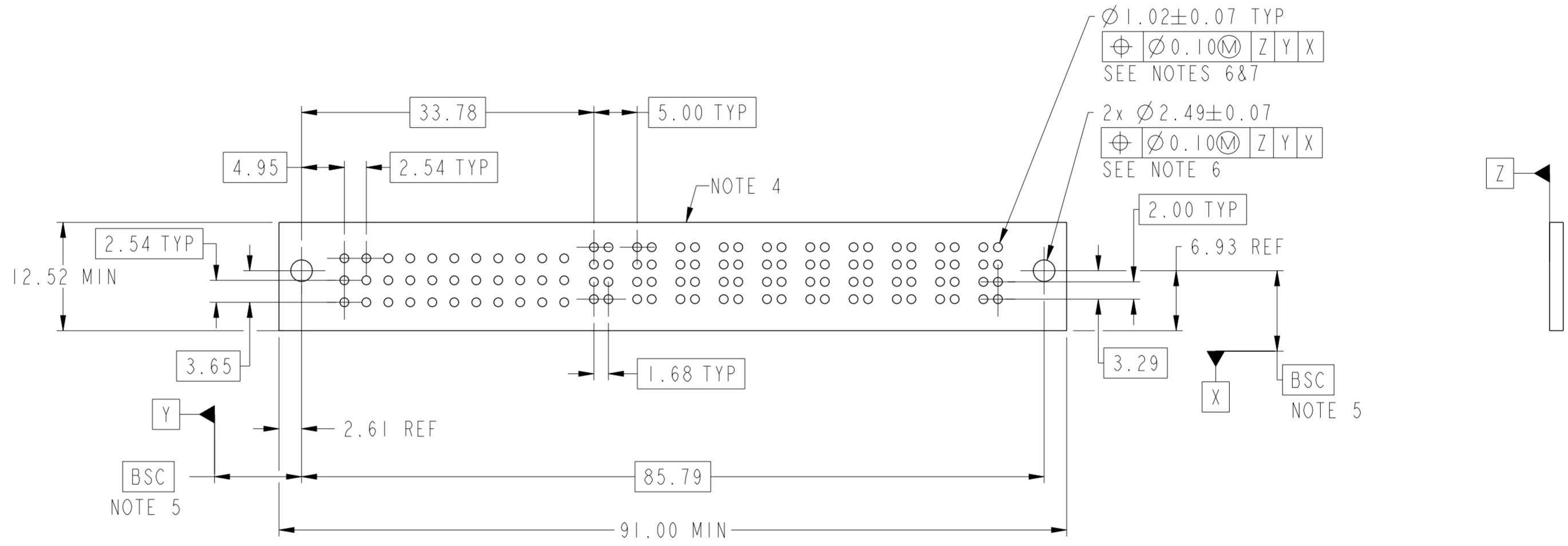
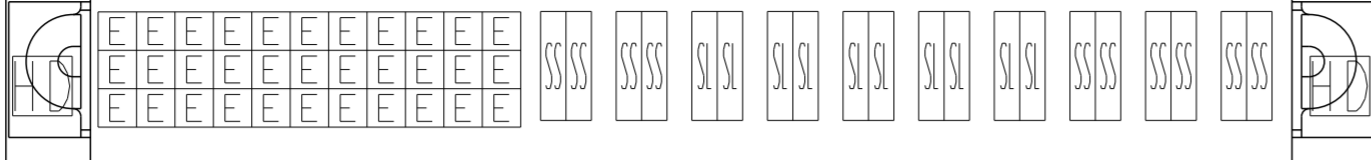
SIGNAL

HIGH POWER

CODE	DESCRIPTION
SS	STD POWER CONTACT
SL	MFBL POWER CONTACT
E	SIGNAL CONTACT
HD	HOLD DOWN

10127403-13HI400LF

C
B
A



Copyright FCI. FCI

spec ref	-	dr	Kaka Zhang	2015/07/22	projection	mm	size	A2	scale	2:1
tolerance std	ASME Y14.5	eng	De-Ming Lu	2015/12/29		mm	ecn no	-	rel level	Released
TOLERANCES UNLESS OTHERWISE SPECIFIED		chr	Fancy Zhang	2015/12/29						
surface	ASME Y14.5	appr	Pei-Ming Zheng	2015/12/29	product family	PwrBlade ULTRA	rel level	Released	div no	10127403-13HI400
linear	0.X ±0.5 0.XX ±0.25 0.XXX ±0.130			title	10HP+33S, SOLDER-TO-BOARD VERT RECEPTACLE, PwrBlade ULTRA		rev	A		
angular	0° ±2°	www.fci.com	cat. no.	Product - Customer Drw		sheet 2 of 3				

PDS: Rev :A

STATUS:Released

Printed: Dec 30, 2015

PRODUCT NUMBER

10127403-13HI400LF

NOTES:

1. "FCI", PART NUMBER AND DATE CODE TO BE MARKED ON THIS SURFACE. THE P/N CAN BE OMITTED IF THERE IS NOT ENOUGH SPACE ON THIS SURFACE.
2. MATERIALS:
HOUSING: GLASS FILLED WITH HIGH TEMP POLYAMIDE, UL94V-0.
POWER CONTACTS: COPPER ALLOY.
SIGNAL CONTACTS: COPPER ALLOY.
HOLD DOWN: COPPER ALLOY.
3. PLATING SPECIFICATION: FCI 10135186.
4. DENOTES CONNECTOR KEEP OUT ZONE.
5. DATUM AND BASIC DIMENSION ARE ESTABLISHED BY CUSTOMER.
6. ALL HOLE DIAMETERS ARE FINISHED HOLE SIZES.
7. 1.150±0.025mm DRILLED HOLE PLATED WITH 7.62µm MIN Sn OVER 25.4µm-76.2µm Cu PLATING TO ACHIEVE A 1.02±0.07mm FINISHED HOLE.
8. PRODUCT SPECIFICATION: FCI GS-12-1176.
APPLICATION SPECIFICATION: FCI GS-20-0389.
PRODUCT PACKAGE SPECIFICATION: FCI GS-14-2354.
9. THE VOID CORING BETWEEN POWER MODULES, SIGNAL MODULES AND END MODULES ARE OPTIONAL AND THE SHAPE MAY BE DIFFERENT TO OPTIMIZE THE MOLDING PROCESS. THE VOID CORING WILL NOT EFFECT THE PRODUCT FUNCTION.



Copyright FCI.

spec ref	-	dr	Kaka Zhang	2015/07/22	projection	mm	size	A2	scale	2:1
tolerance std	-	eng	De-Ming Lu	2015/12/29			ecn no	-	rel level	Released
ASME Y14.5	TOLERANCES UNLESS OTHERWISE SPECIFIED	chr	Fancy Zhang	2015/12/29						
		appr	Pei-Ming Zheng	2015/12/29						
surface	✓	product family	PwrBlade ULTRA		title	10HP+33S, SOLDER-TO-BOARD		rev	A	
ASME Y14.5	linear	0.X	±0.5							
	0.XX	±0.25								
	0.XXX	±0.130								
	angular	0°	±2°	www.fci.com	cat. no.	-	Product - Customer Drw	sheet 3 of 3		