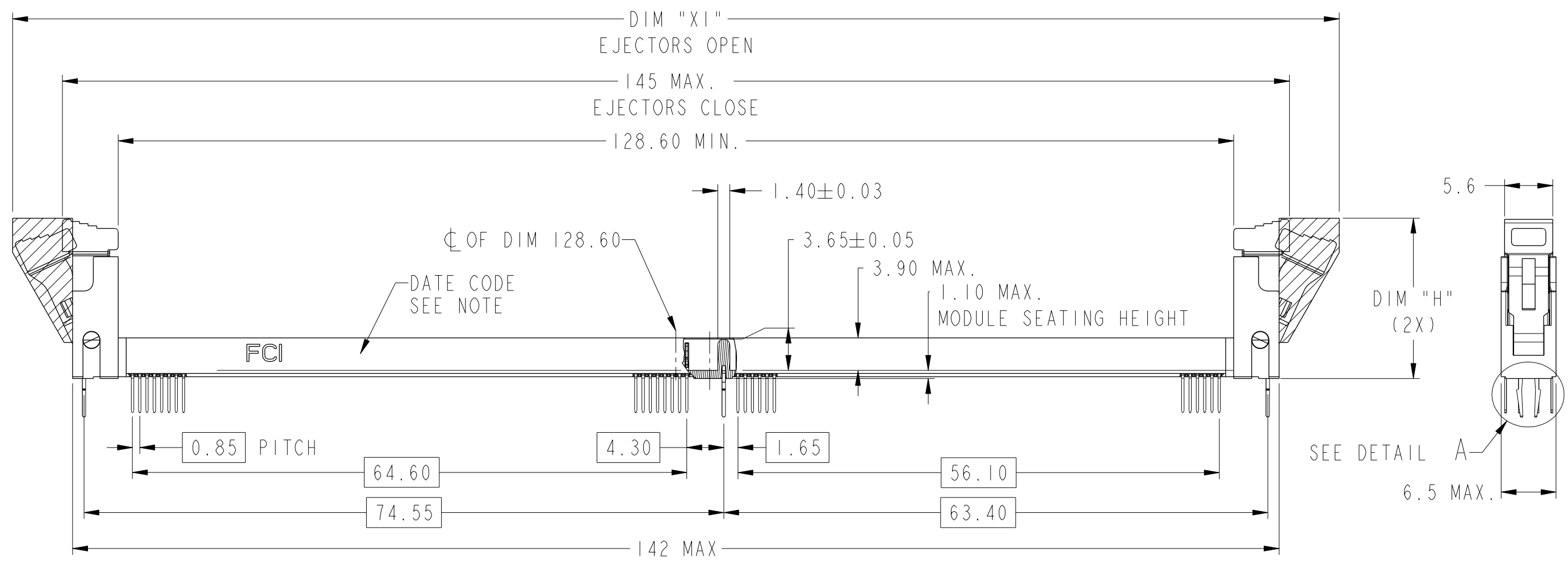
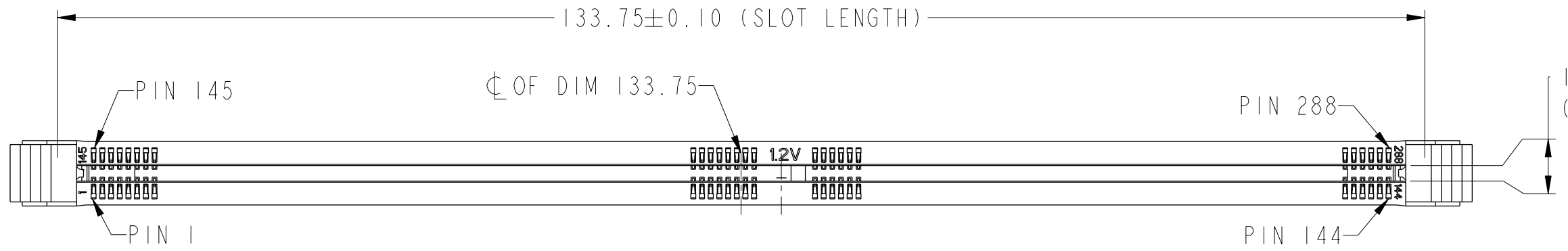
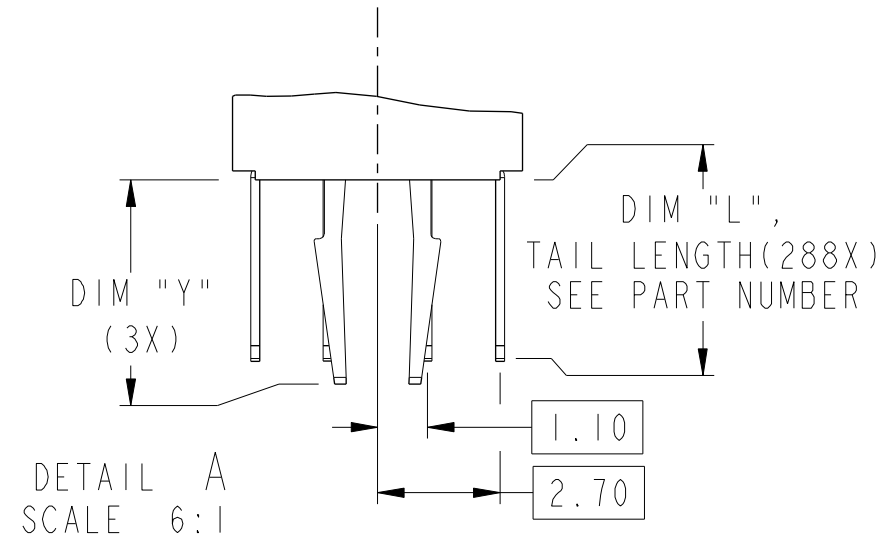


Copyright FCI.



SECTION A-A  
SCALE 2:1



spec ref	dr	Art Lin	2014/07/08	projection	MM	size	A3	scale	2:1
tolerance std	eng	Eric Jiang	2015/10/14			ecn no	-	rel level	Released
TOLERANCES UNLESS OTHERWISE SPECIFIED linear 0.X ±0.30 0.XX ±0.20 0.XXX ±0.10 angular 0° ±2°	chr	Nickor Zuo	2015/10/14			product family	-	rel level	Released
	surface	appr	Pei-Ming Zheng	2015/10/14	product family	-	rel level	Released	
ASME Y14.5	www.fci.com			cat. no.	-	Product - Customer Drw	sheet 1 of 4		
DDR4 288P DIMM CONNECTOR ULP TH 0.85mm PITCH				dwg no	10129206	rev	A		

DDR4 MODULE  
 MORE INFORMATION REFER TO JEDEC MO-309

A

B

C

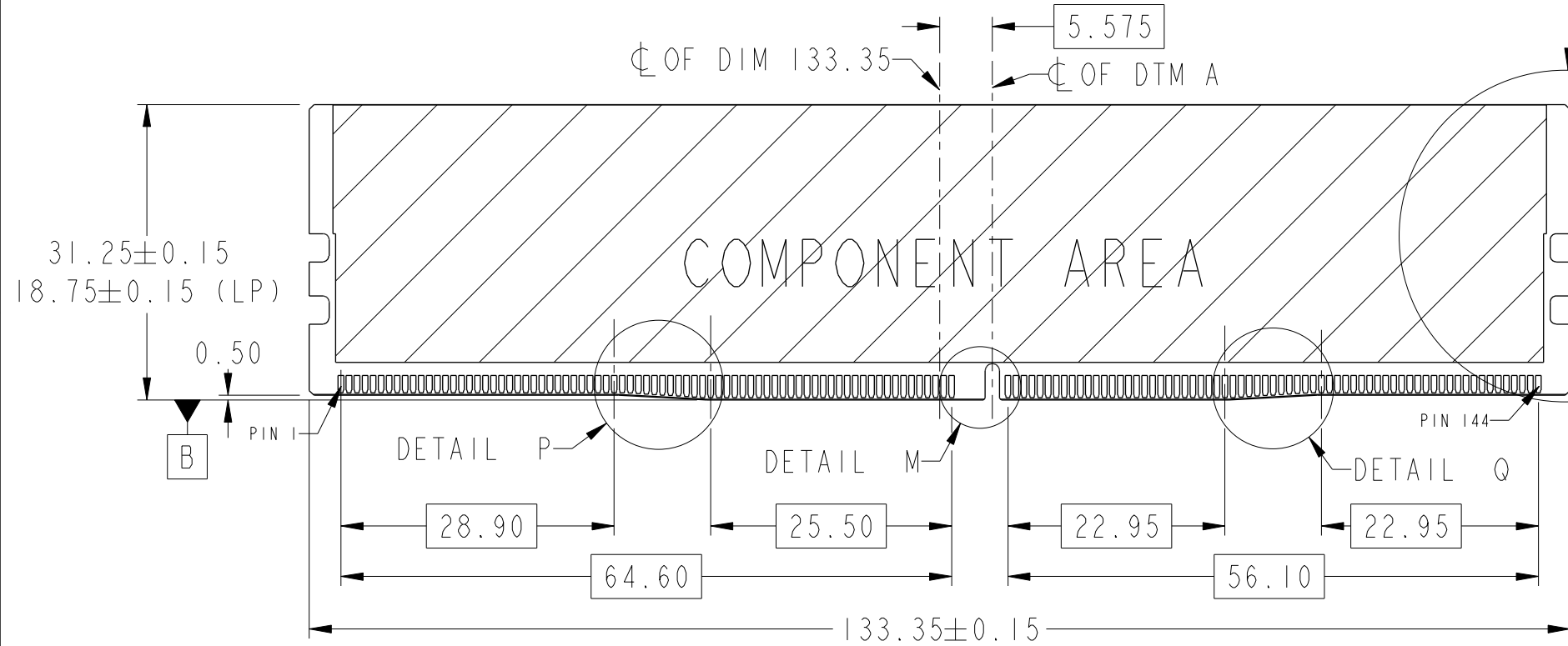
D

A

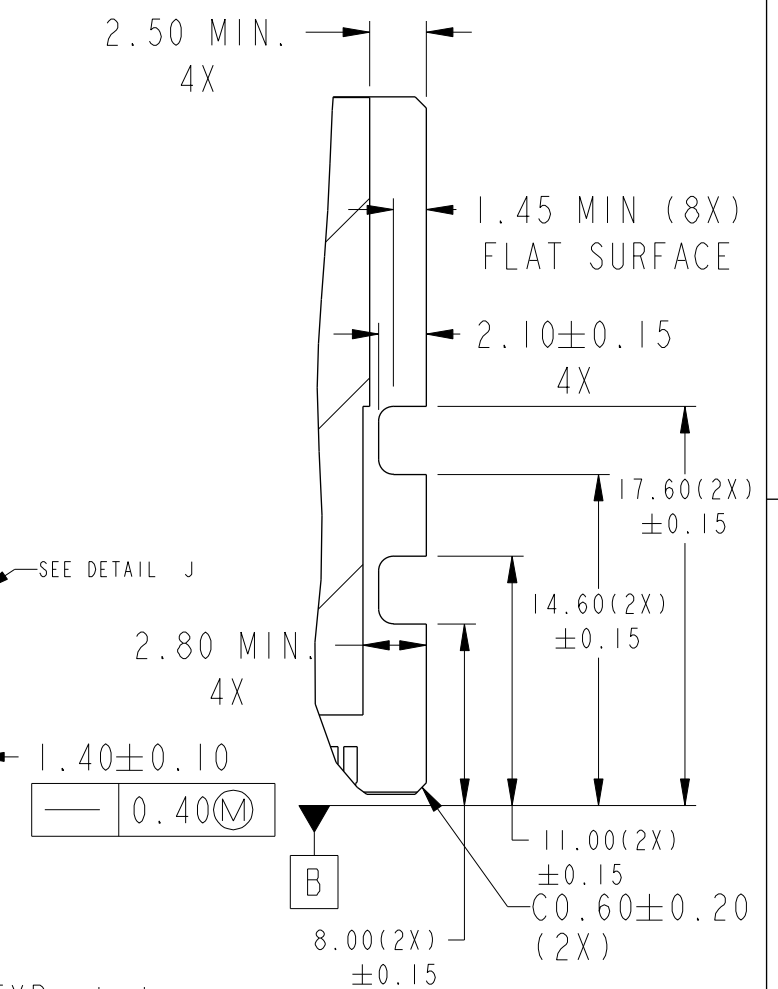
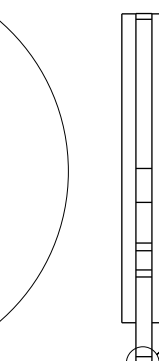
B

C

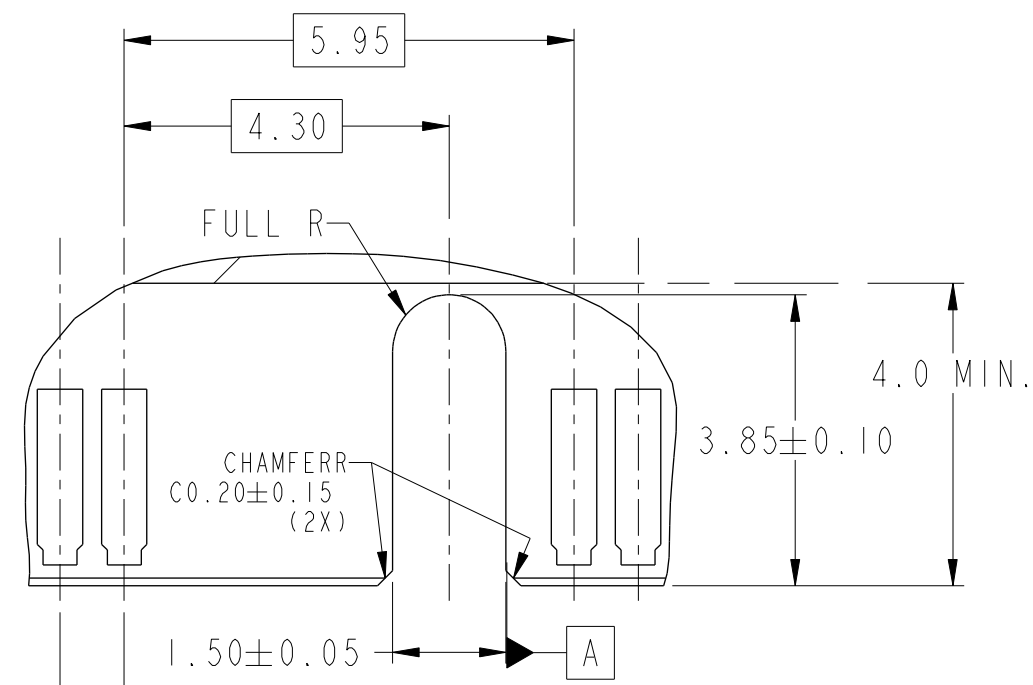
D



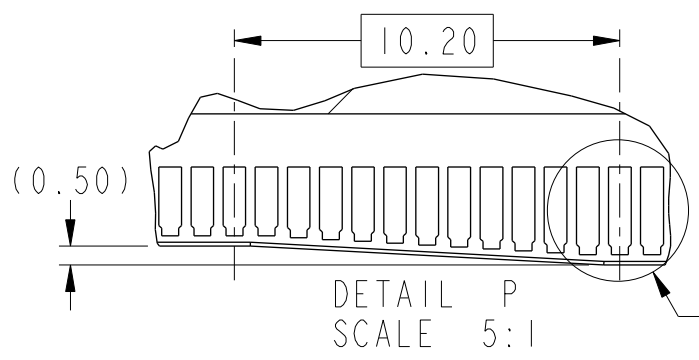
SEE DETAIL N



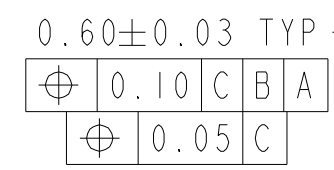
DETAIL N  
 SCALE 3:1



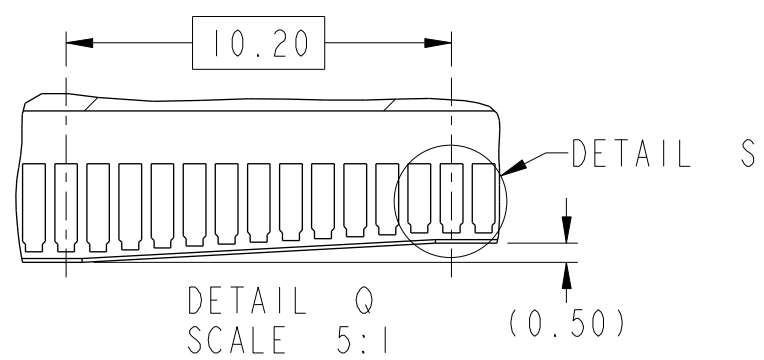
DETAIL M  
 SCALE 10:1



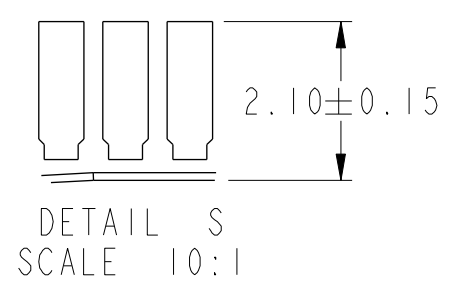
DETAIL P  
 SCALE 5:1



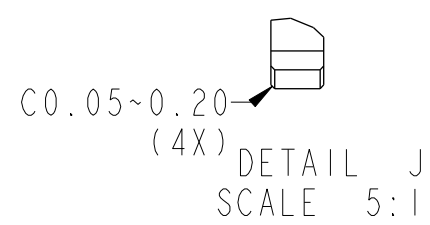
DETAIL R  
 SCALE 10:1



DETAIL Q  
 SCALE 5:1



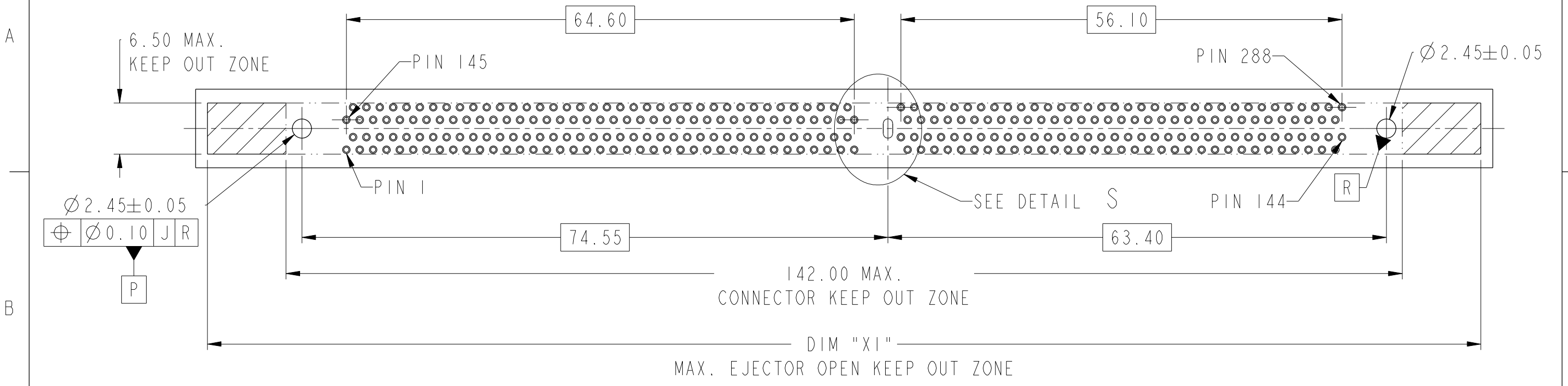
DETAIL S  
 SCALE 10:1



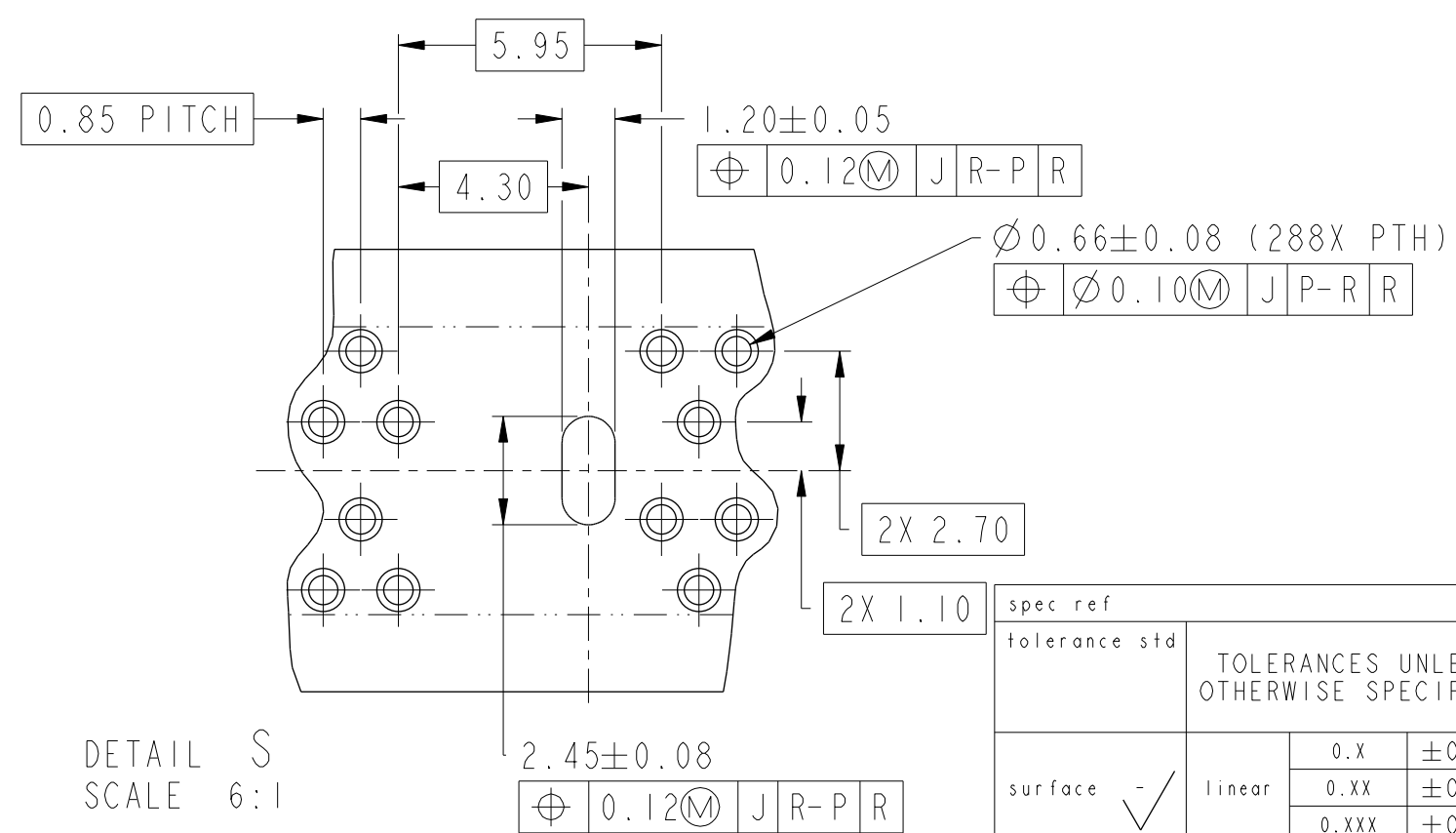
DETAIL J  
 SCALE 5:1

spec ref	dr	Art Lin	2014/07/08	projection	MM	size	A3	scale	3:2
tolerance std	eng	Eric Jiang	2015/10/14			ecn no	-	rel level	Released
ASME Y14.5	chr	Nickor Zuo	2015/10/14						
	appr	Pei-Ming Zheng	2015/10/14	product family	-				
surface	linear		DDR4 288P DIMM CONNECTOR ULP TH 0.85mm PITCH		dwg no	10129206		rev	A
ASME Y14.5	angular		0°	±2°	cat. no.	-	Product - Customer Drw	sheet 2 of 4	
			0.X	±0.30					
		0.XX	±0.20						
		0.XXX	±0.10						

RECOMMENDED PCB LAYOUT  
 MORE INFORMATION REFER TO JEDEC SO-016



Copyright FCI.  
**FCI**



DETAIL S  
 SCALE 6:1

spec ref	dr	Art Lin	2014/07/08	projection	MM	size	A3	scale	2:1
tolerance std	eng	Eric Jiang	2015/10/14			ecn no		-	
TOLERANCES UNLESS OTHERWISE SPECIFIED		chr	Nickor Zuo			rel level		Released	
surface	linear	appr	Pei-Ming Zheng	product family		-		-	
ASME Y14.5	angular			DDR4 288P DIMM CONNECTOR ULP TH 0.85mm PITCH		dwg no 10129206		rev A	
		www.fci.com	cat. no.	-		Product - Customer Drw		sheet 3 of 4	

PRODUCT PART NUMBER

10129206-□□□□□□□□

DIM "H", "XI"

0: H=19.3 MAX, XI=156 MAX.  
1: H=13.1 MAX, XI=152 MAX.

DIM "Y", FORKLOCK LENGTH

0: 3 FORKLOCKS, DIM "Y"=4.00±0.25  
1: 3 FORKLOCKS, DIM "Y"=4.50±0.25

DIM "L", TAIL LENGTH

0: 2.60±0.25  
1: 3.20±0.25  
2: 4.00±0.25

HOUSING COLOR

0: NATURAL  
1: BLACK  
2: BLUE

EJECTOR COLOR

0: NATURAL  
1: BLACK  
2: BLUE

TAIL PLATING

LF: 100u" MIN. MATTE TIN

CONTACT AREA PLATING

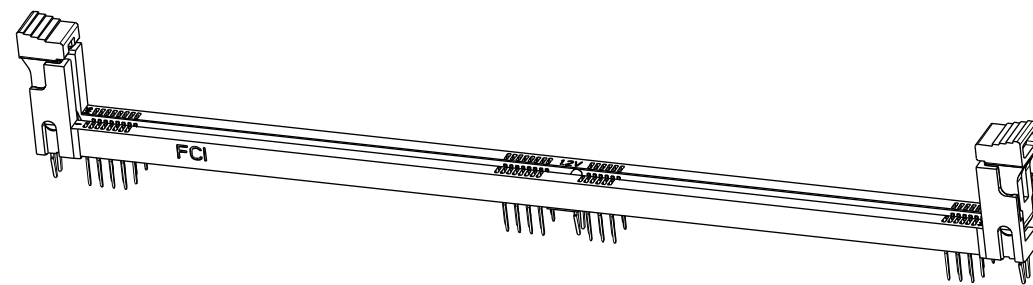
CODE	CONTACT AREA	UNDERPLATING
1	15u" MIN.GOLD	90u" MIN.NICKEL
3	30u" MIN.GOLD	

CONTACTS LUBRICATION

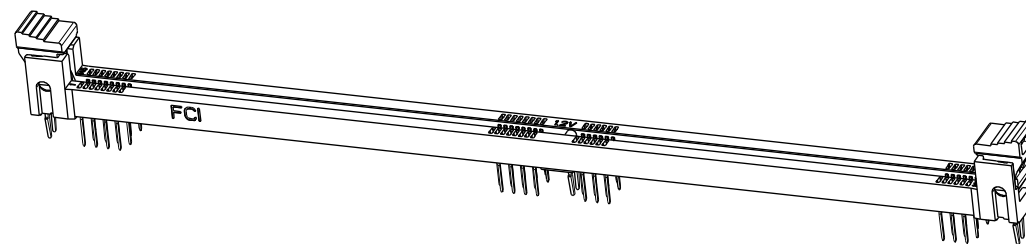
0: WITHOUT  
1: WITH

NOTES:

- MATERIALS:  
HOUSING: HIGH PERFORMANCE RESINS, GLASS FIBER FILLED, UL94 V-0 RATED.  
EJECTOR: HIGH PERFORMANCE RESINS, GLASS FIBER FILLED, UL94 V-0 RATED.  
TERMINAL: COPPER ALLOY  
FORKLOCK: COPPER ALLOY
- DATE CODE "MMDDYYL", MMDDYY IS ASSEMBLY DATE, L IS FCI PRODUCTION LINE.
- SPECIFICATION:  
PRODUCTION SPECIFICATION: FCI GS-12-1092.  
PACKAGE SPECIFICATION: FCI GS-14-2267.  
APPLICATION SPECIFICATION: FCI GS-20-0353.
- LEAD FREE PRODUCT MEETS EUROPEAN UNION DIRECTIVES AND OTHER COUNTRY REGULATIONS AS DESCRIBED IN FCI GS-22-008.
- THIS PRODUCT WILL WITHSTAND EXPOSURE TO 260°C PEAK TEMPERATURE FOR 10 SECONDS IN WAVE SOLDERING APPLICATION.



10129206-0XXXXXXXXX



10129206-1XXXXXXXXX

dr	Art Lin	2014/07/08	projection MM ←→	size	A3	scale	1:1	
eng	Eric Jiang	2015/10/14		product family	ecn no	-		
chr	Nickor Zuo	2015/10/14			rel level	Released		
appr	Pei-Ming Zheng	2015/10/14	www.fci.com		cat. no.	Product - Customer Drw	sheet 4 of 4	
FCI		DDR4 288P DIMM CONNECTOR		dwg no	10129206		rev	A
		ULP TH 0.85mm PITCH						



Copyright FCI.