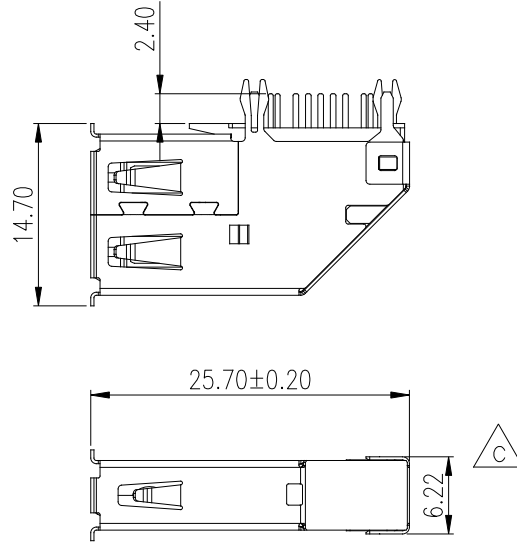
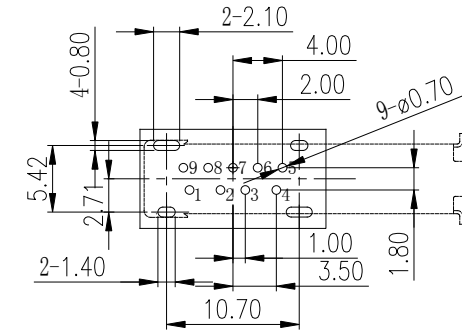


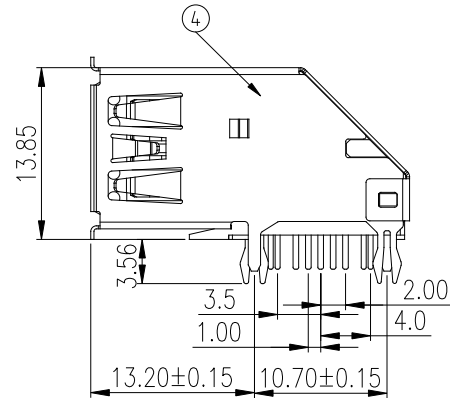
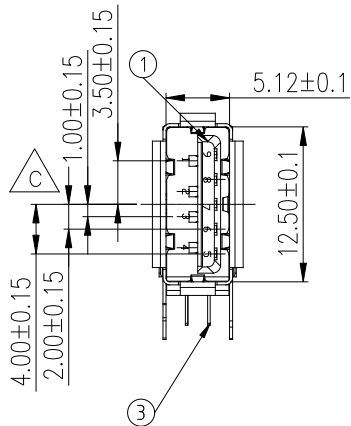
PRODUCT NUMBER  
10132411-000XXLF



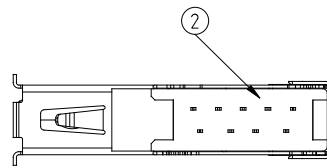
Pin Number	Signal Name	Pin Number	Signal Name
1	VBUS	5	SSRX-
2	D-	6	SSRX+
3	D+	7	GND
4	GND	8	SSTX-
Shell	Shield	9	SSTX+



PCB HOLES(TOP VIEW)  
NOTE: GENERAL TOLERANCE: ±0.05mm



- NOTE:
1. PRODUCT SPECIFICATION: GS-12-1263.
  2. PACKAGE SPECIFICATION: GS-14-2422.
  3. THE HOUSING WILL WITHSTAND EXPOSURE TO 235°C PEAK TEMPERATURE FOR 5 SEC. IN A WAVE SOLDERING APPLICATION.
  4. PART NUMBER:  
10132411-000 X X LF  
PLATING: \_\_\_\_\_ PACKAGE:  
1: G/F ON CONTACT 1: TRAY  
2: 30u" Au ON CONTACT



NO.	PART NAME	TER'NO.	QTY.	MATERIAL	REMARK
④	SHELL		1	SUS	NI-PLATED
③	TERMINAL		9	COPPER ALLOY	AU/Sn-PLATED
②	COVER		1	HIGH TEMP. THERMOPLASTIC, UL 94V-0	BLUE
①	HOUSING		1	HIGH TEMP. THERMOPLASTIC, UL 94V-0	BLUE

mat'l. code		surface	tolerance	projection	product family
					USB 3.0
ltr	ecn no	dr	date	tolerances unless otherwise specified	
A		TAI	2014-11-20	angles	16<L<63 ±0.4
B	ELX-T-23257	TAI	2016-02-15	radius	4<L<16 ±0.3
C	ELX-T-24886	TAI	2016-09-05	X'±5'	L<4 ±0.2
		dr	KENNY TAI	2014-11-20	mm
		enr	KENNY TAI	2014-11-20	scale N.T.S.
		chr	KENNY TAI	2014-11-20	
		appd	PM ZHENG	2014-11-20	
sheet index	revision	c			
	sheet	1			
				product title	
				USB 3.0 REC. CONN.	
				TYPE A, UPRIGHT, THROUGH HOLE	
				dwg no 10132411	
				sheet 1 of 1 size A4	
				type Product Customer Drawing	