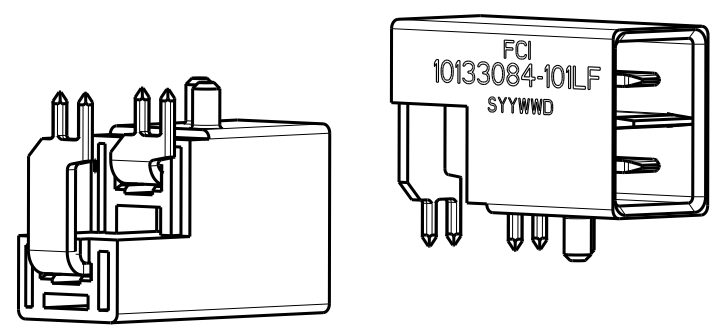
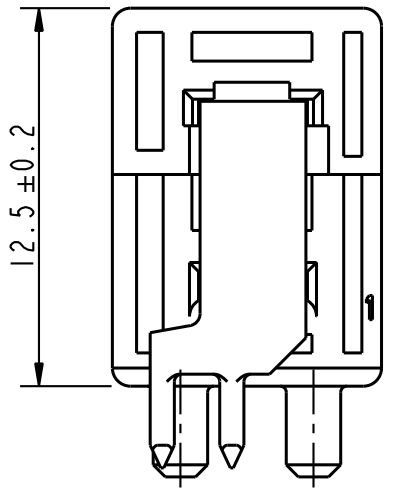
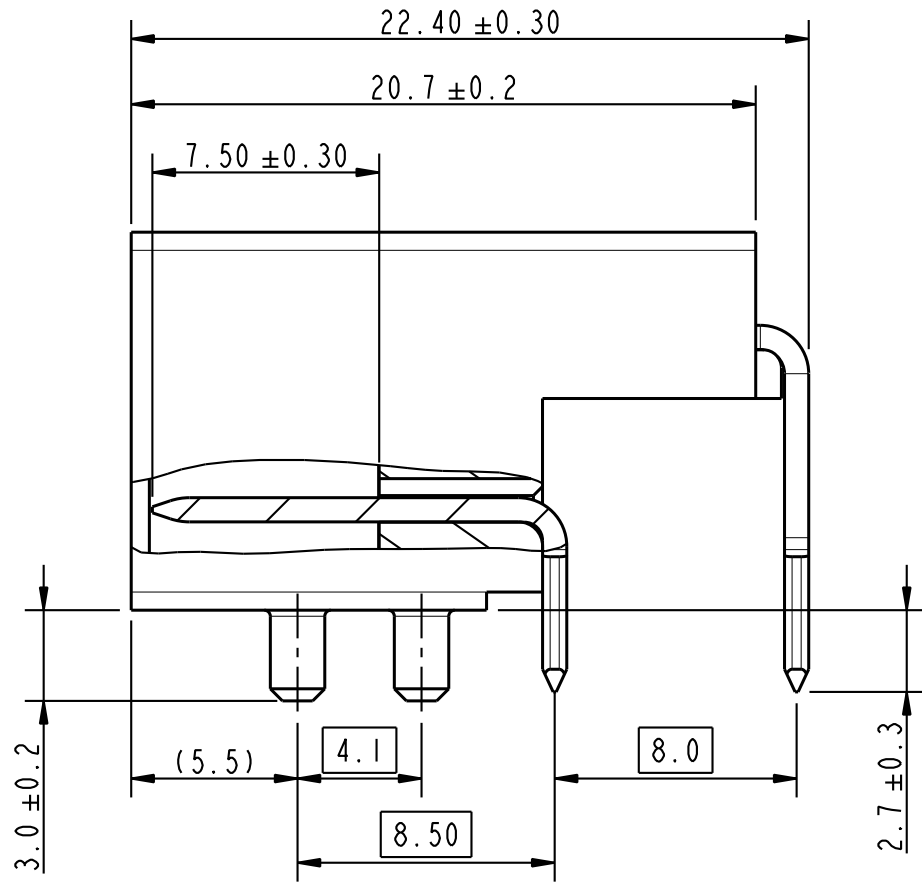
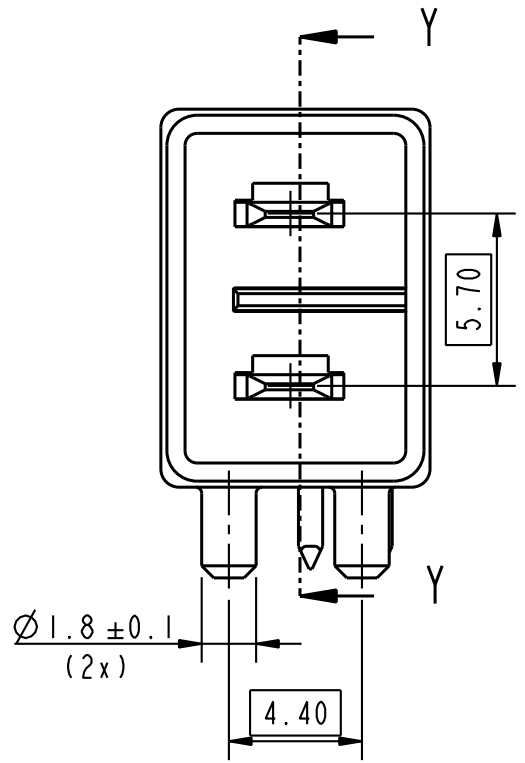


PRODUCT NUMBER  
10133084-101LF

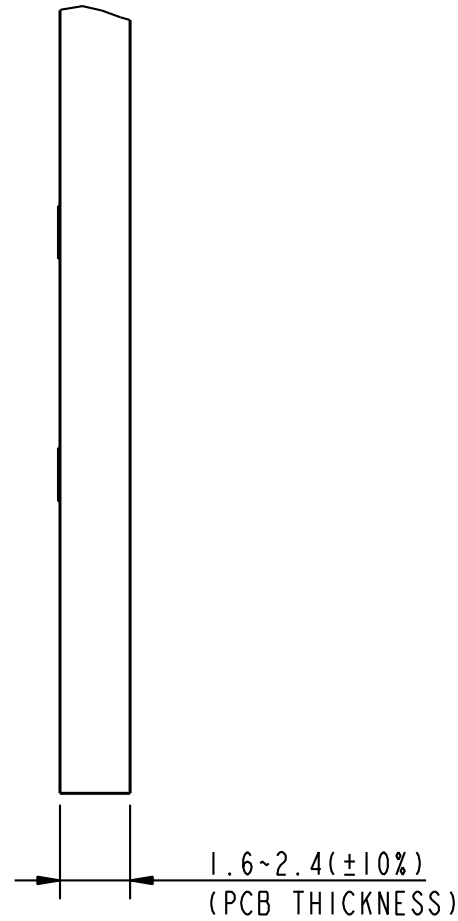
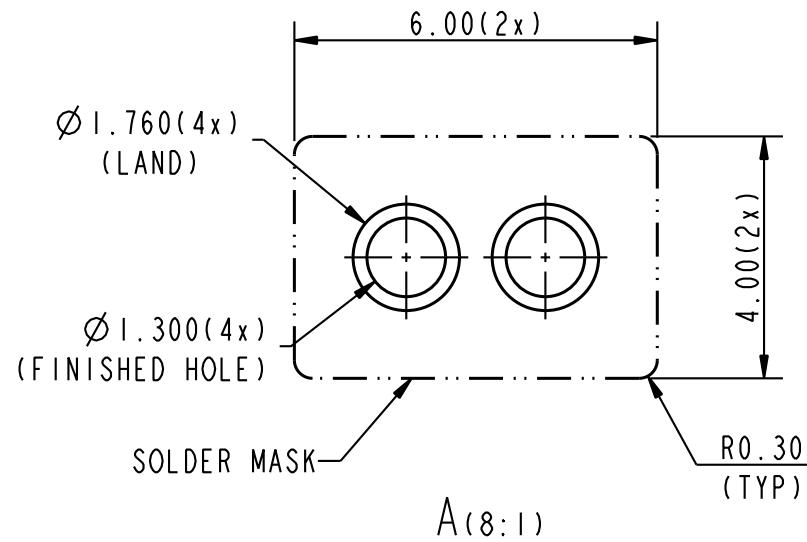
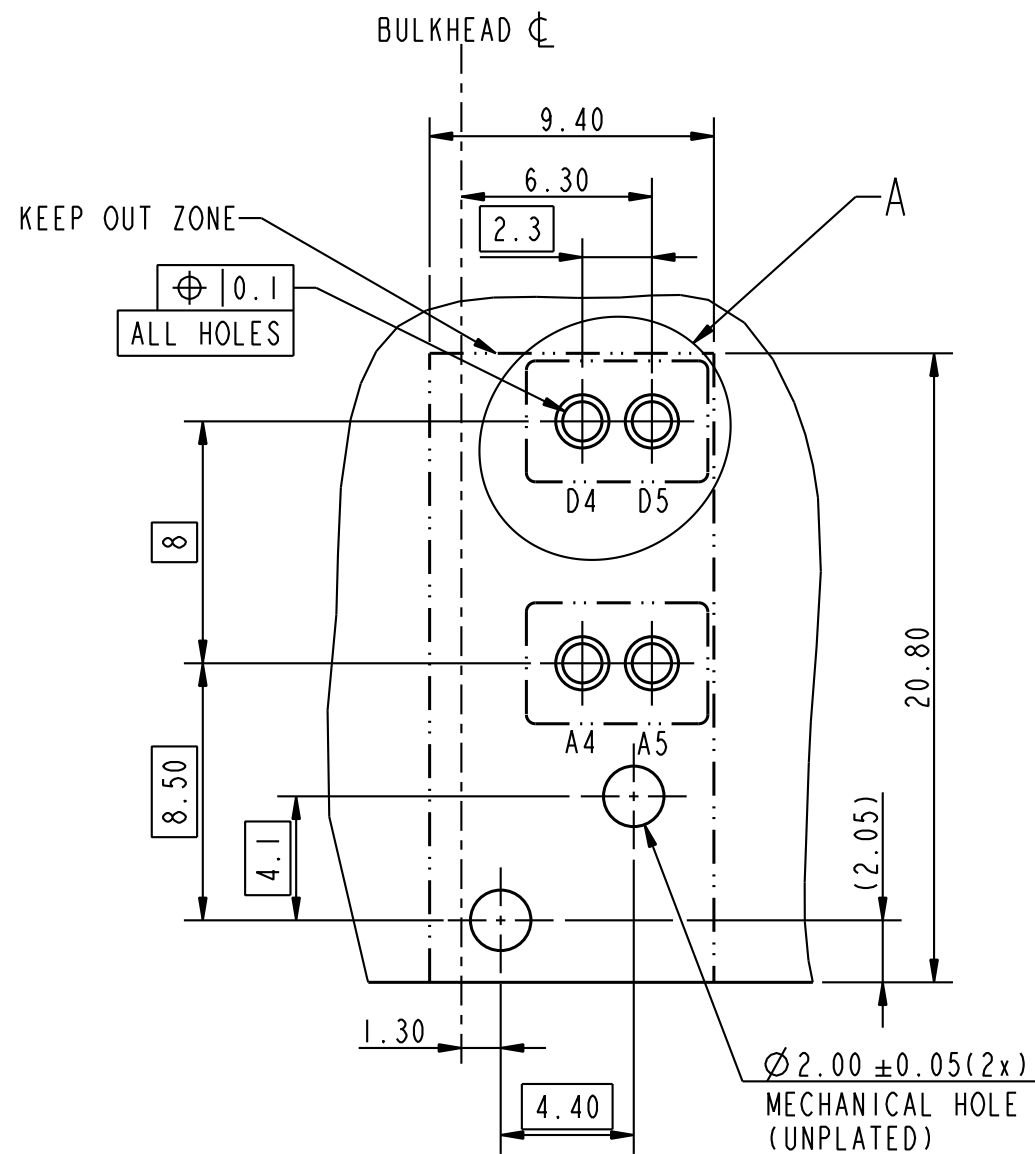


spec ref	-	dr	Stalin Alosius	2015/09/23	projection		size	A3	scale	2:1
tolerance std	ISO 406 ISO 1101	eng	Stalin Alosius	2016/02/23	chr	-	mm	ecn no	ELX-22463-4	
TOLERANCES UNLESS OTHERWISE SPECIFIED		appr	K-Paul Biju	2016/02/24	product family	METRAL HDXS	rel level	Released		
surface	linear	0.X	±0.3	<b>Amphenol FCI</b>	POWER OCTIS RA BOARD CONNECTOR		dwg no	10133084-101		rev
		0.XX	±0.10		2 POS POWER PIP TERMINATION					
		0.XXX	±0.050		cat. no.	-				
ISO 1302	angular	0°	±2°							

Amphenol FCI

© 2016 AFCI

VIEW FROM COMPONENT SIDE



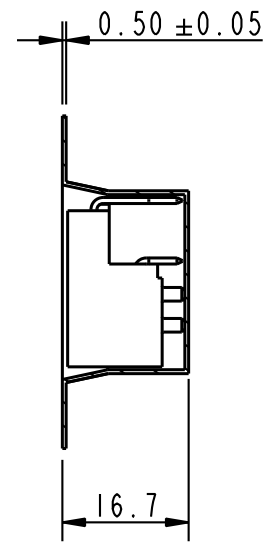
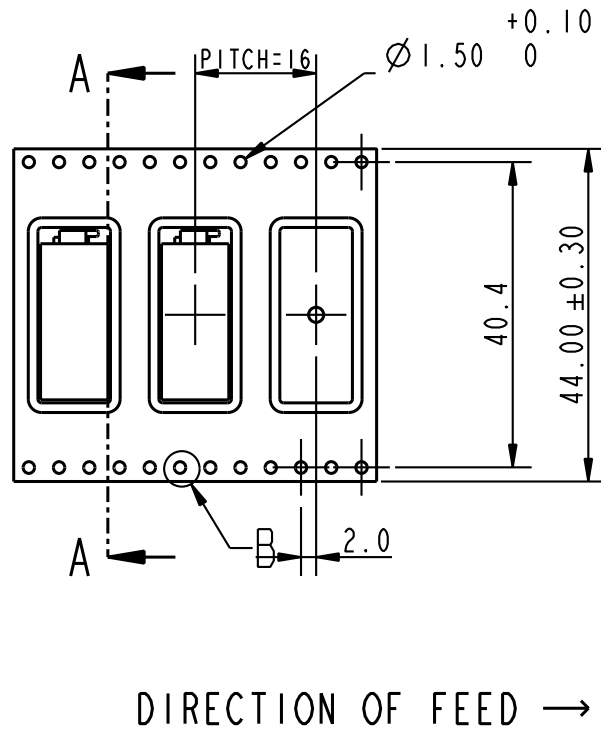
NOTES:

1. MATERIAL :  
- RESIN - LCP, GLASS FILLED, FLAME RETARDANT ACC  
FLAMMABILITY CLASSIFICATION - UL94-V0  
- POWER CONTACTS - COPPER ALLOY
2. PLATING :  
- PURE TIN ON POWER CONTACTS
3. PRODUCT SPECIFICATION: GS-12-1339
4. APPLICATION SPECIFICATION: GS-20-0454
5. PACKAGING - TAPE & REEL  
PACKAGING SPECIFICATION: GS-XX-XXX
6. UNDER PLATING FOR CONTACTS IS 1.27µm NICKEL.
7. PRODUCT WILL WITHSTAND EXPOSURE TO 260° FOR 60 SECONDS IN A CONVECTION, INFRA RED OR VAPOUR PHASE REFLOW OVEN
8. PRODUCT WHERE THE PARTNUMBER ENDS IN LF MEETS EUROPEAN DIRECTIVES AND OTHER COUNTRY REGULATIONS AS DESCRIBED IN GS-47-0004.

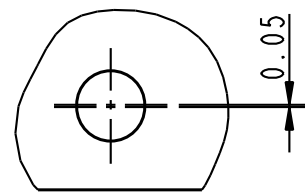
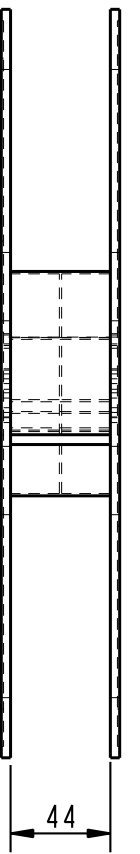
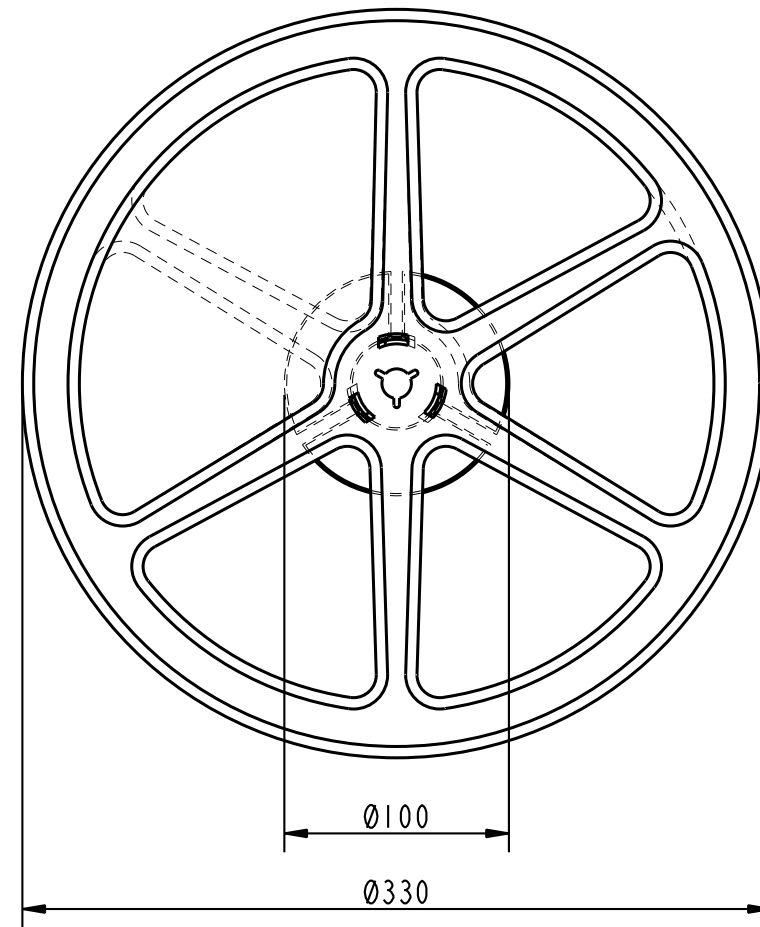
	POWER PTH DETAILS
DRILLED HOLE	1.37-1.42mm
COPPER PLATING	25-50µm
TIN PLATING	0.8-1.2µm
FINISHED HOLE DIA	1.25-1.35mm

spec ref	-	dr	Stalin Alosius	2015/09/23	projection	mm	size	A3	scale	1:1
tolerance std	ISO 406 ISO 1101	eng	Stalin Alosius	2016/02/23			ecn no	ELX-22463-4		
TOLERANCES UNLESS OTHERWISE SPECIFIED		chr	-	-			rel level	Released		
surface	linear	appr	K-Paul Biju	2016/02/24	product family	METRAL HDXS	title <b>Amphenol FCI</b> POWER OCTIS RA BOARD CONNECTOR 2 POS POWER PIP TERMINATION		dwg no 10133084-101	rev B
ISO 1302	angular			cat. no.	-	Product - Customer Drw	sheet 2 of 4			

PACKAGING SPECIFICATION



SECTION A-A



B(6:1)

TAPE & REEL PACKING DETAILS

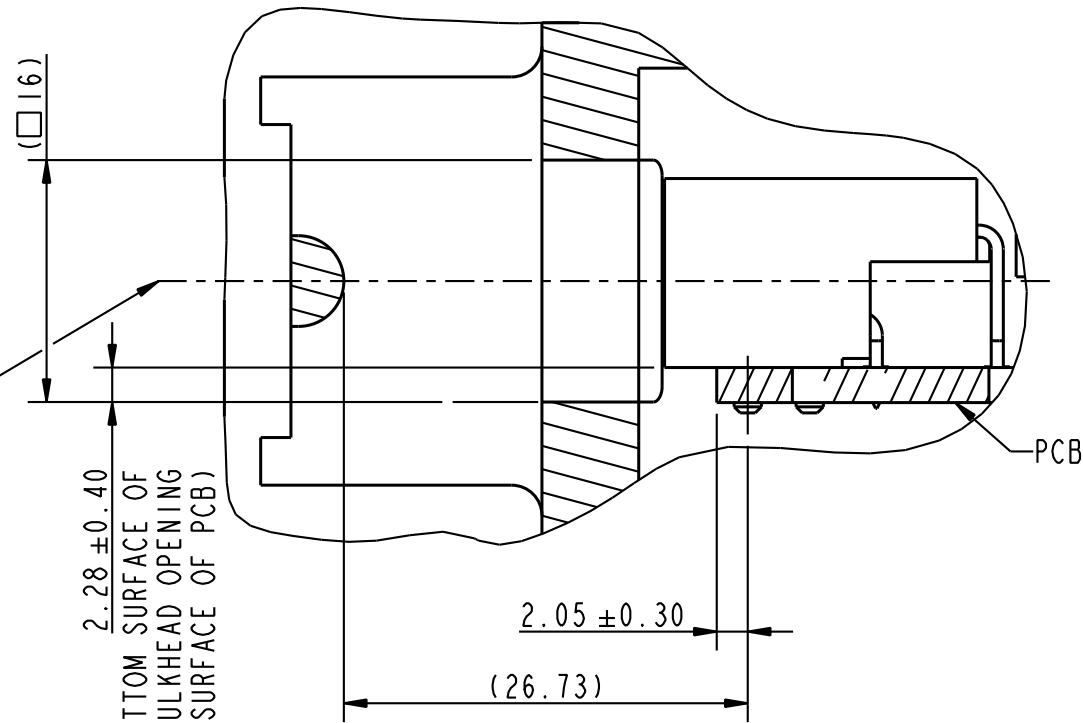
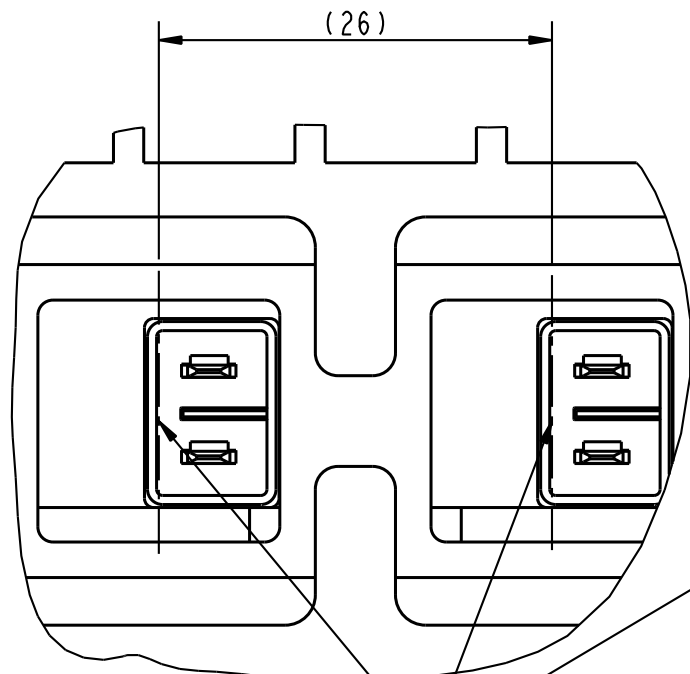
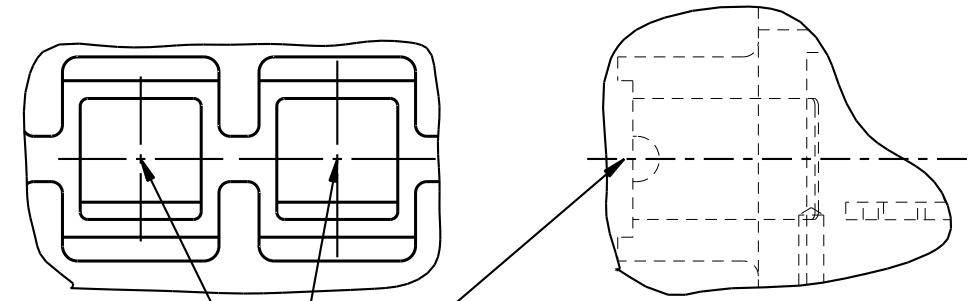
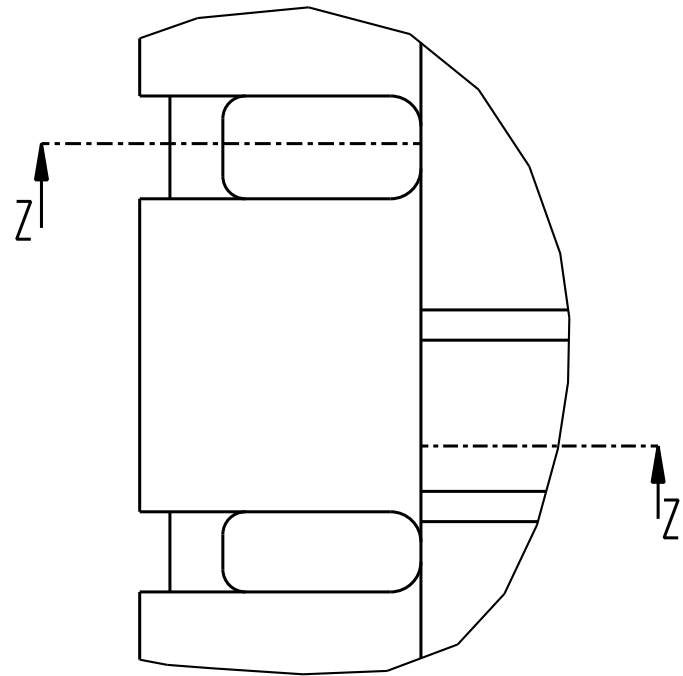
NOTES:

- CONNECTORS PACKED PER REEL : 240 PIECES
- PACKAGING DETAILS AS PER EIA-481 STD.
- PACKING SHOULD BE ANTISTATIC.
- MATERIAL :  
CARRIER TAPE : POLYSTYRENE  
COVER TAPE : POLYSTYRENE

spec ref	-	dr	Stalin Alosius	2015/09/23	projection	mm	size	A3	scale	3:10
tolerance std	ISO 406 ISO 1101	eng	Stalin Alosius	2016/02/23			ecn no	ELX-22463-4		
TOLERANCES UNLESS OTHERWISE SPECIFIED		chr	-	-			rel level	Released		
surface	linear	0.X	±0.3	<b>Amphenol FCI</b>	title POWER OCTIS RA BOARD CONNECTOR 2 POS POWER PIP TERMINATION	dwg no 10133084-101	rev B	Product - Customer Drw		
		0.XX	±0.10							
		0.XXX	±0.050							
ISO 1302	angular	0°	±2°	cat. no.	sheet 3 of 4					

BOARD CONNECTOR  
WITH BULKHEAD

BULKHEAD OPENING



BULKHEAD OPENING  
CENTRE LINE

2.28 ± 0.40  
(BOTTOM SURFACE OF  
BULKHEAD OPENING  
TO TOP SURFACE OF PCB)

SECTION Z-Z

spec ref	-	dr	Stalin Alosius	2015/09/23	projection	mm	size	A3	scale	1:2
tolerance std	ISO 406 ISO 1101	eng	Stalin Alosius	2016/02/23			ecn no	ELX-22463-4		
TOLERANCES UNLESS OTHERWISE SPECIFIED		chr	-	-			product family	METRAL HDXS	rel level	Released
surface	linear	0.X	±0.3	<b>Amphenol FCI</b>	POWER OCTIS RA BOARD CONNECTOR		dwg no	10133084-101		rev
		0.XX	±0.10		2 POS POWER PIP TERMINATION					
	angular	0°	±2°		cat. no.	-	Product - Customer Drw	sheet 4 of 4		