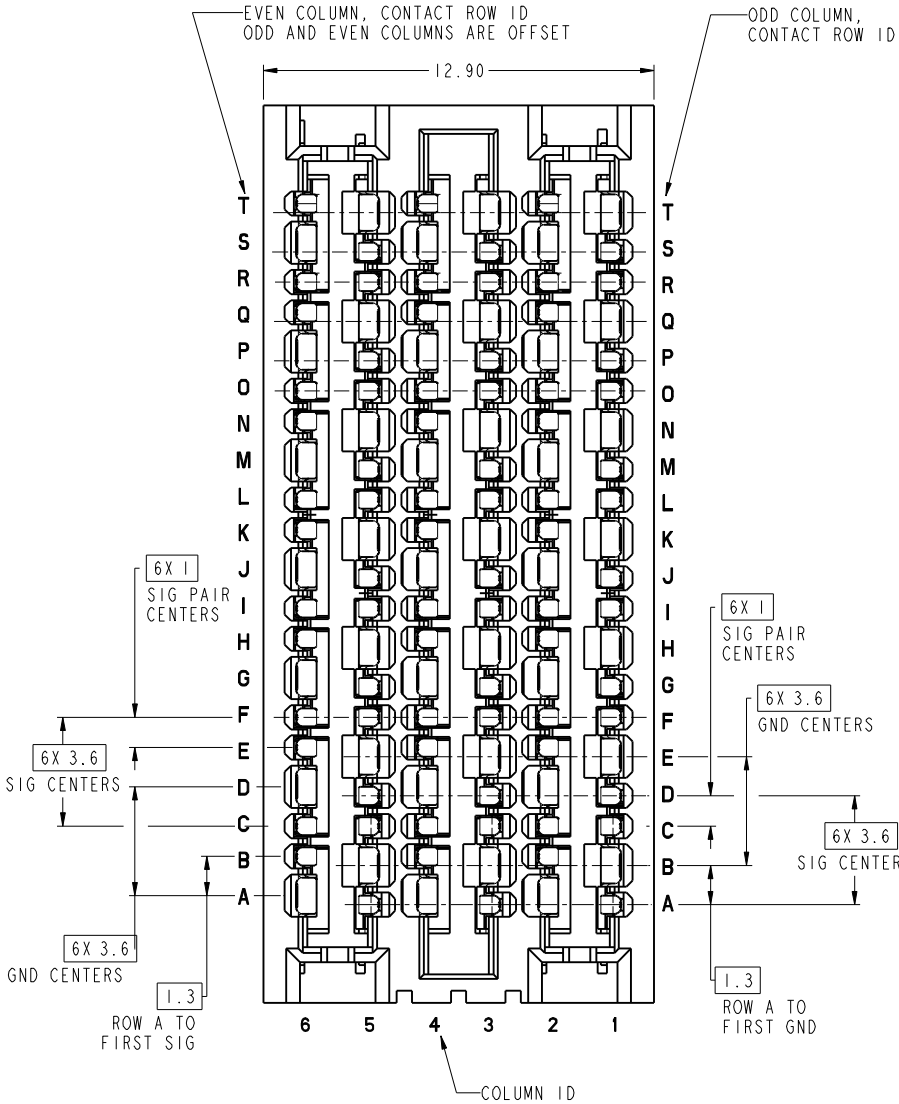
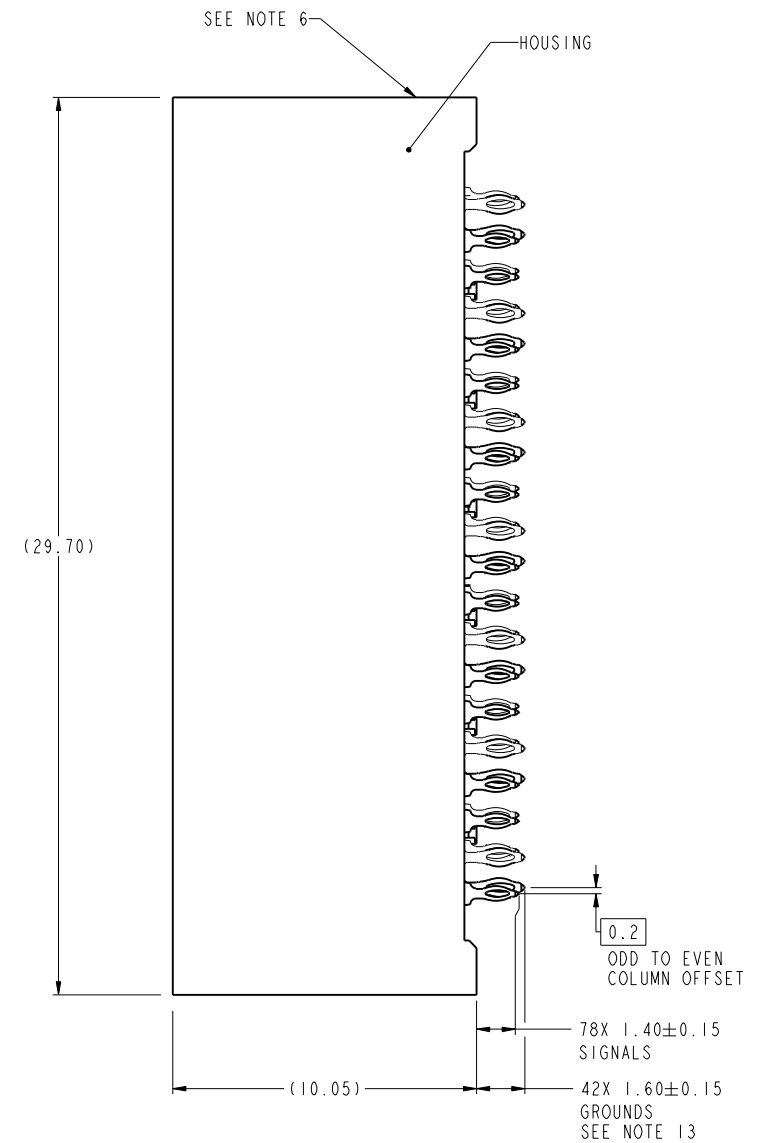


PRODUCT NUMBER
10133092-101LF



10133092-101LF

Justin Chen 2015/01/15
Peng-Bing Fu 2016/04/12



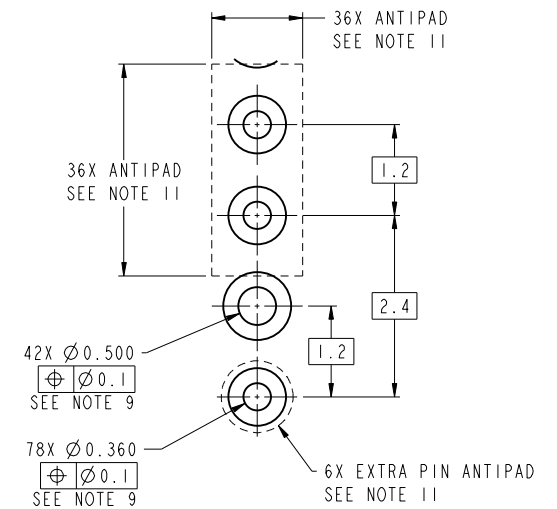
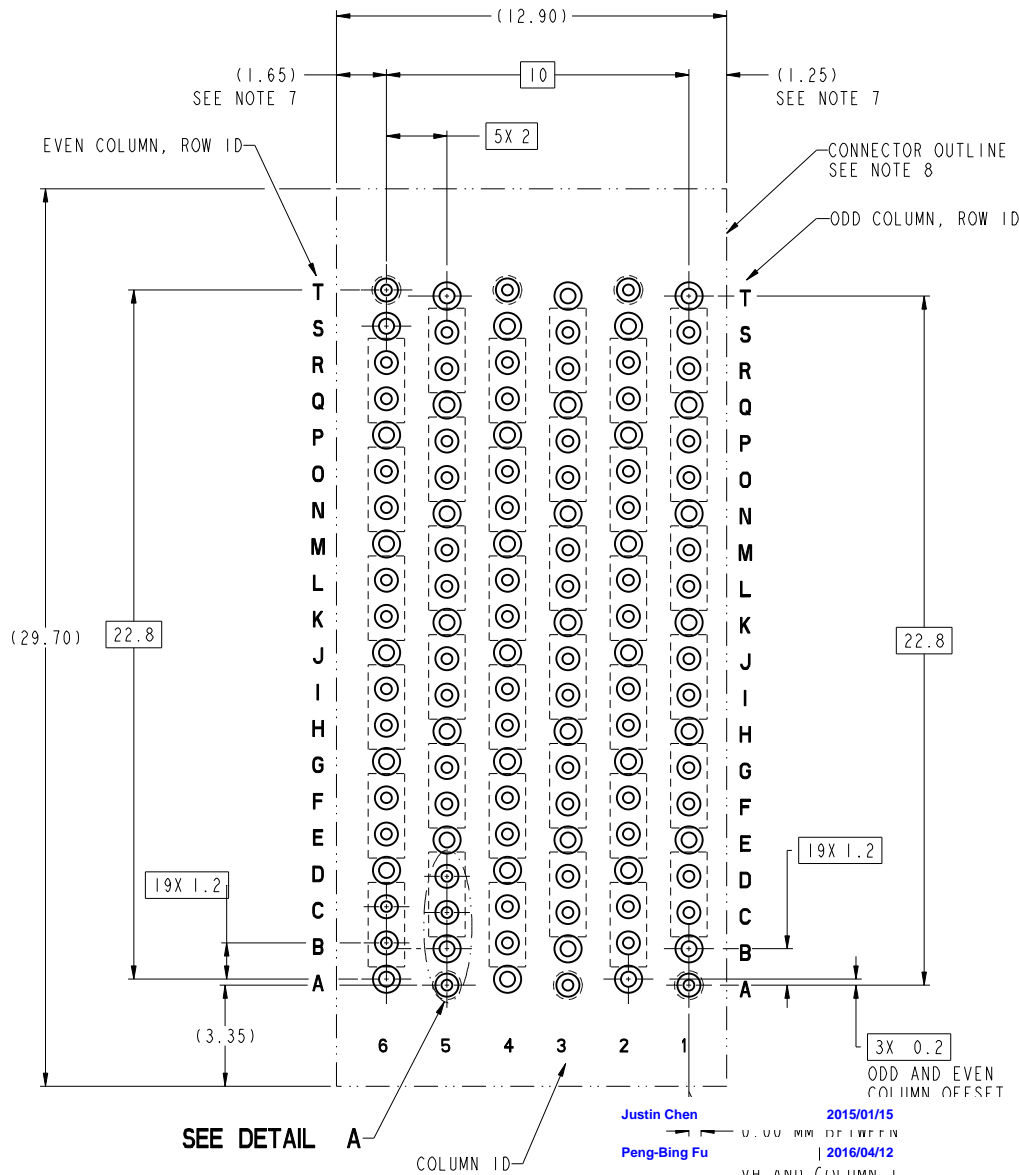
Preliminary

spec ref	SEE NOTES	dr	STEVE HUANG	2014-05-04	projection	MM	size	A2
tolerance std	TOLERANCES UNLESS OTHERWISE SPECIFIED	eng	SHU CHEN	2014-05-04			ech no	3
ASME Y14.5M		chr	-	-			rel level	-
surface	linear	appr	-	-	product family	ExaMAX	ang no	10133092
	0.X ±.3	Amphenol FCI		ExaMAX VERTICAL RECEPTACLE		rev	3	
	0.XX ±.10	ASS'Y, 6 PAIR, 120 POS, 6 IMLA THK WALL		Product - Customer Drw		sheet 1 of 3		
	0.XXX ±.050	cat. no.						
	angular	0° ±°						

For information only. This is a preliminary customer document that is subject to change without notice.

Amphenol FCI

© 2016 APCI



RECOMMENDED PCB LAYER
 10133092-101LF COMPONENT SIDE
 NOTES 7, 8, 9 & 11

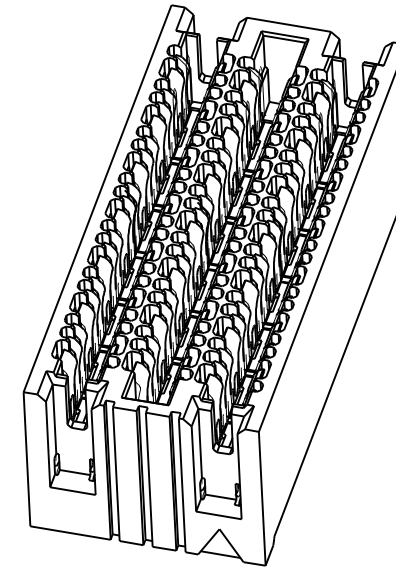
Preliminary

spec ref	SEE NOTES	dr	STEVE HUANG	2014-05-04	projection	MM	size	A2												
tolerance std	TOLERANCES UNLESS OTHERWISE SPECIFIED	eng	SHU CHEN	2014-05-04			ech no	3												
ASME Y14.5M		chr	-	-			rel level													
surface	<table border="1"> <tr> <td>linear</td> <td>0.X</td> <td>±.3</td> </tr> <tr> <td></td> <td>0.XX</td> <td>±.10</td> </tr> <tr> <td></td> <td>0.XXX</td> <td>±.050</td> </tr> <tr> <td>angular</td> <td>0°</td> <td>±°</td> </tr> </table>	linear	0.X	±.3		0.XX	±.10		0.XXX	±.050	angular	0°	±°	Amphenol FCI	ExaMAX VERTICAL RECEPTACLE ASS'Y, 6 PAIR, 120 POS, 6 IMLA THK WALL		ang no	10133092	rev	3
linear	0.X	±.3																		
	0.XX	±.10																		
	0.XXX	±.050																		
angular	0°	±°																		
		cat. no.	Product - Customer Draw		sheet	2 of 3														

NOTES:

- ① - CONNECTOR MATERIALS:
HOUSING: HIGH TEMP THERMOPLASTIC, BLACK, UL94-V0
IMLA PLASTIC: HIGH TEMP THERMOPLASTIC, BLACK, UL94-V0
CONTACT: COPPER ALLOY
- 2 - CONTACT PLATING:
SEPARABLE INTERFACE:
PERFORMANCE-BASED PLATING, QUALIFIED TO MEET THE REQUIREMENTS OF FCI PRODUCT SPECIFICATION GS-12-1096 INCLUDING TELCORDIA GR-1217-CORE (NOVEMBER 1995) CENTRAL OFFICE TEST SEQUENCE

PRESS-FIT TAILS: TIN OVER NICKEL (LEAD FREE)
- 3 - PRODUCT SPECIFICATION: GS-12-1096
- 4 - APPLICATION SPECIFICATION: GS-20-0361
- 5 - PACKAGING MEETS GS-14-920 LEAD FREE LABELING SPECIFICATION
- ⑥ - PRODUCT MARKING, (PART NUMBER & LOT CODE), ON THIS SURFACE.
- ⑦ - THE MINIMUM VIA SPACING BETWEEN STACKED CONNECTORS IS 3.0 MM FOR THIS VR AND THE MATING HEADER. REFER TO THE APPLICATION SPECIFICATION FOR DETAILS
- ⑧ - CONNECTOR OUTLINE MAY BE SCREEN PRINTED ONTO CUSTOMER PCB TO BE USED AS A GUIDE FOR MANUAL CONNECTOR PLACEMENT.
- ⑨ - REFER TO CUSTOMER DRAWING 10119933 FOR INFORMATION ON PCB HOLE DIAMETERS AND PLATING OPTIONS
- 10- THIS PRODUCT MEETS EUROPEAN UNION DIRECTIVES AND OTHER COUNTRY'S REGULATIONS AS DESCRIBED IN GS-47-0004
- ⑪ - REFER TO APPLICATION SPECIFICATION FOR TRACE ROUTING EXAMPLES THAT INCLUDE DIMENSIONS FOR ANTIPADS, TRACE WIDTHS, TRACE SPACING, ETC..
- 12- THE HOUSING WILL WITHSTAND EXPOSURE TO 260°C PEAK TEMPERATURE FOR 10-30 SECONDS IN A CONVECTION, INFRA-RED OR VAPOR PHASE REFLOW OVEN.
- ⑬ - ALL GROUND CONTACTS ARE COMMONED WITHIN A COLUMN.



10133092-101LF

Justin Chen 2015/01/15
Peng-Bing Fu 2016/04/12
- -
- -

Preliminary

spec ref	SEE NOTES	dr	STEVE HUANG	2014-05-04	projection	MM	size	A2												
tolerance std	TOLERANCES UNLESS OTHERWISE SPECIFIED	eng	SHU CHEN	2014-05-04			ech no	3												
ASME Y14.5M		chr	-	-			rel level													
surface	<table border="1"> <tr> <td>linear</td> <td>0.X</td> <td>±.3</td> </tr> <tr> <td></td> <td>0.XX</td> <td>±.10</td> </tr> <tr> <td></td> <td>0.XXX</td> <td>±.050</td> </tr> <tr> <td>angular</td> <td>0°</td> <td>±°</td> </tr> </table>	linear	0.X	±.3		0.XX	±.10		0.XXX	±.050	angular	0°	±°	Amphenol FCI	title ExaMAX VERTICAL RECEPTACLE ASS'Y, 6 PAIR, 120 POS, 6 IMLA THK WALL		eng no	10133092	rev	3
linear	0.X	±.3																		
	0.XX	±.10																		
	0.XXX	±.050																		
angular	0°	±°																		
		cat. no.	Product - Customer Drw		sheet 3 of 3															

For information only. This is a preliminary customer document that is subject to change without notice.