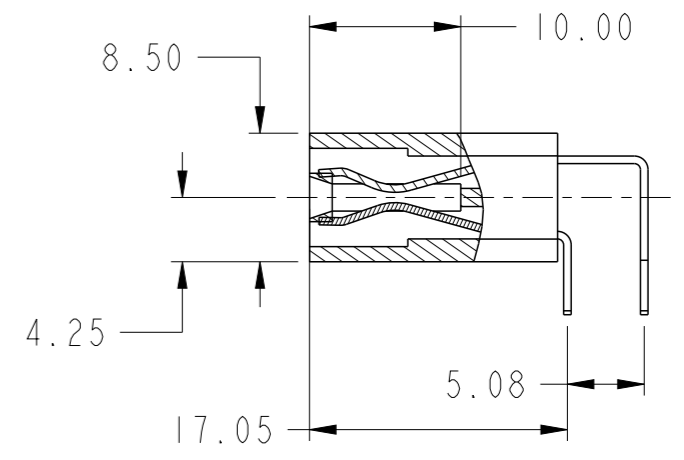
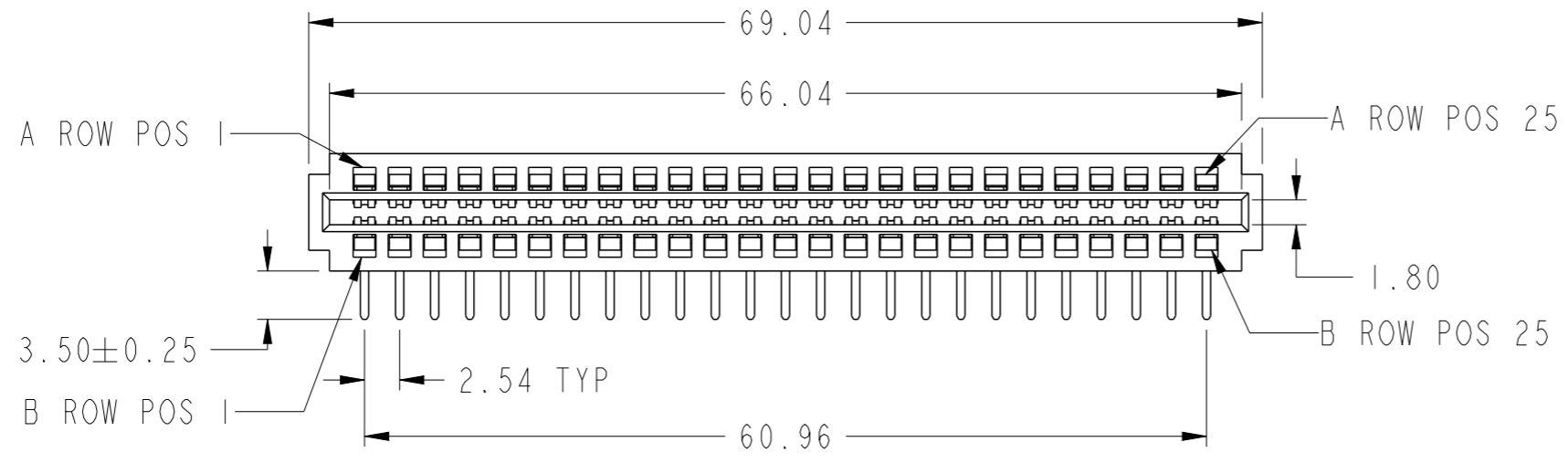
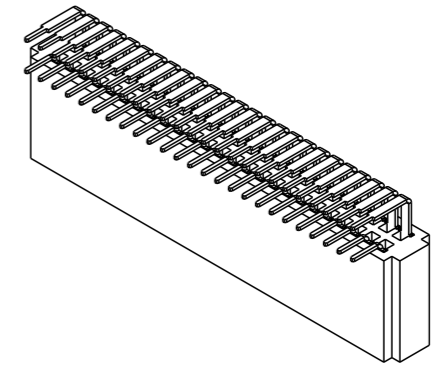
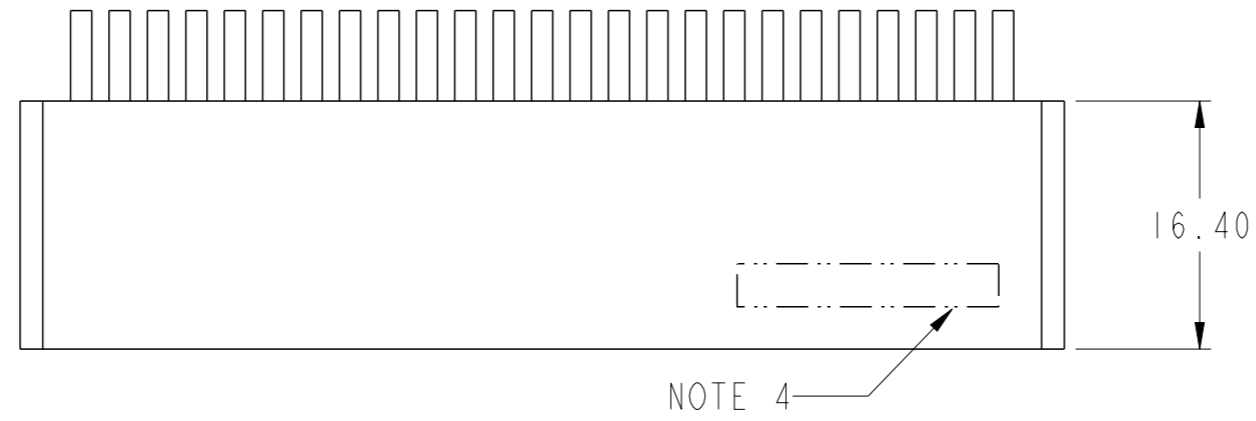


10135383-001LF



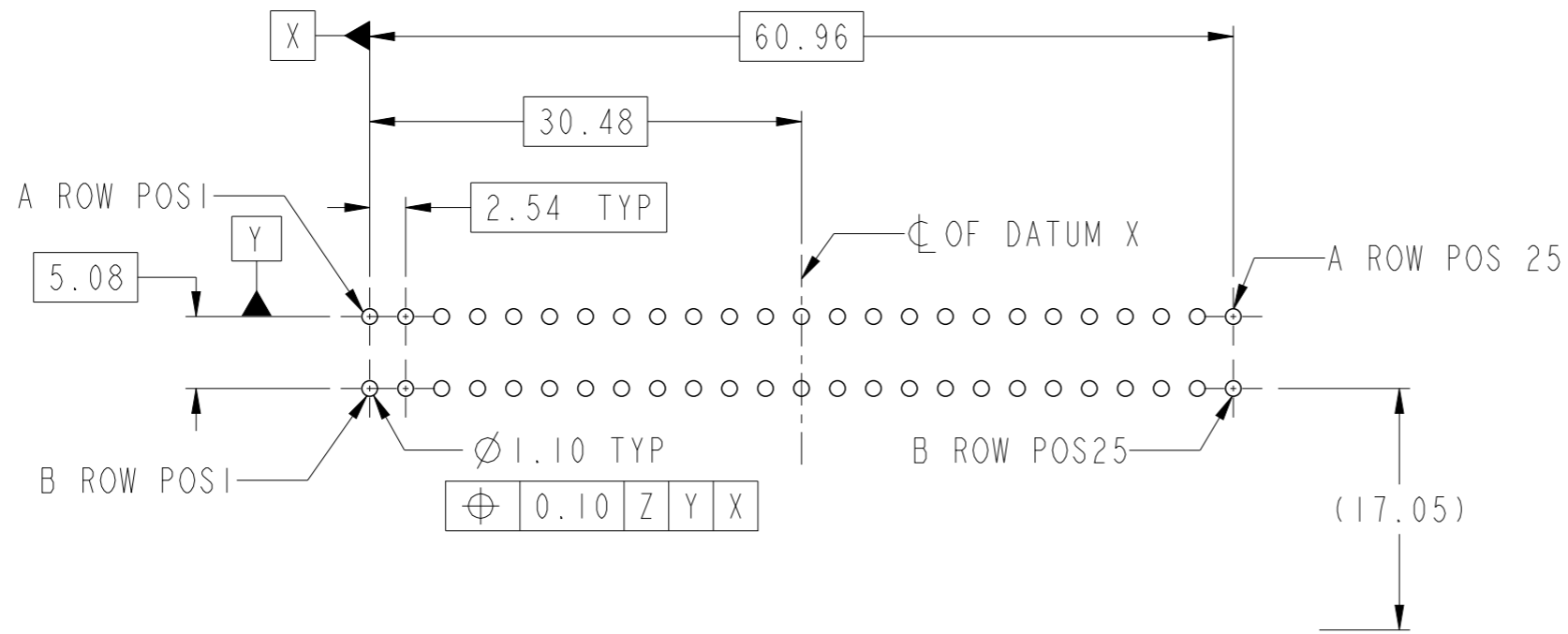
NOTE:

1. MATERIAL:  
HOUSING: HIGH TEMPERATURE THERMOPLASTIC,  
UL 94 V-0 RATED, BLACK.  
TERMINAL: HIGH CONDUCTIVITY COPPER ALLOY.
2. PRODUCT SPECIFICATION: GS-12-1315.
3. PACKAGE SPECIFICATION: GS-14-937
4. PRODUCT MARKING (FCI - PART NUMBER & DATE CODE)  
ON HOUSING IN AREA SHOWN.

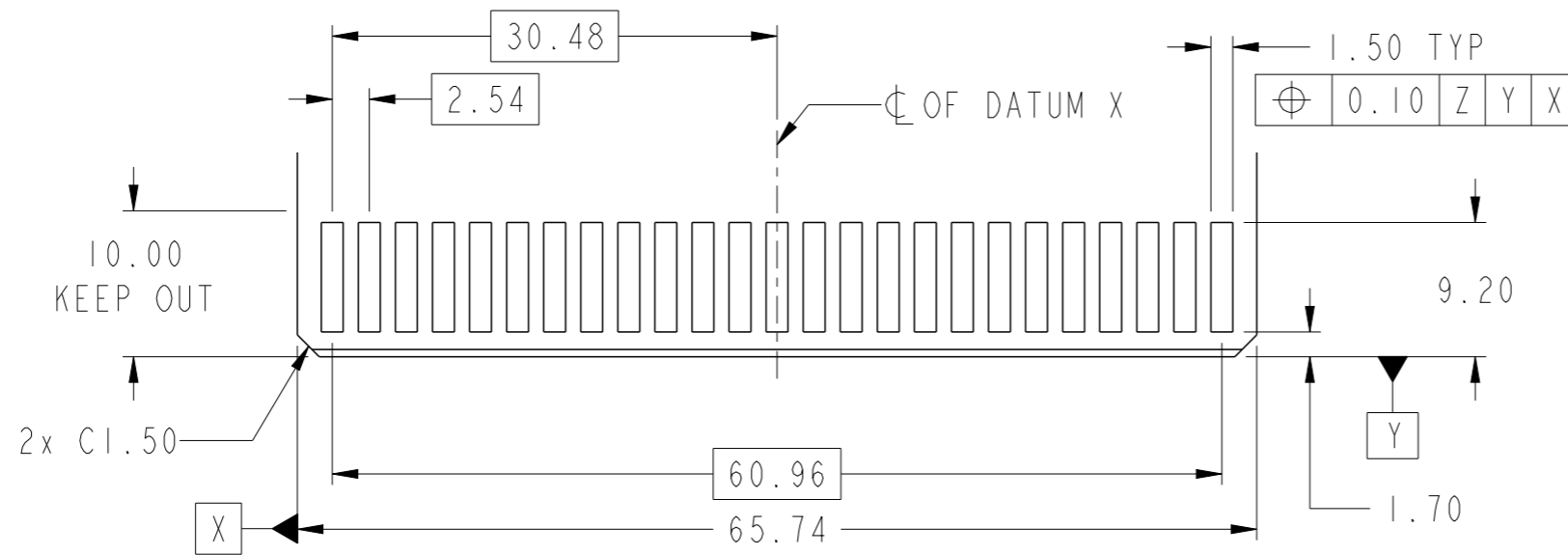


Copyright FCI.

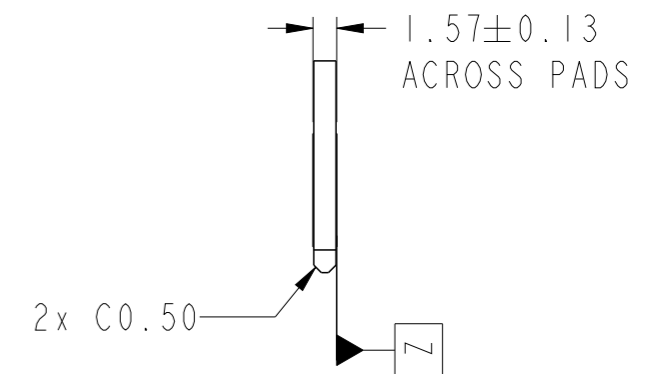
spec ref	*	dr	Hai-Ling Liu	2015/05/19	projection	MM	size	A3	scale	1:1								
tolerance std	TOLERANCES UNLESS OTHERWISE SPECIFIED	eng	Hai-Ling Liu	2015/07/29			ecn no	-	rel level	Released								
		chr	Terris Liu	2015/07/29														
		appr	Pei-Ming Zheng	2015/07/29	product family													
surface	<table border="1"> <tr> <td rowspan="3">✓</td> <td rowspan="3">linear</td> <td>0.X</td> <td>±0.5</td> </tr> <tr> <td>0.XX</td> <td>±0.25</td> </tr> <tr> <td>0.XXX</td> <td>±0.1</td> </tr> <tr> <td></td> <td>angular</td> <td>0°</td> <td>±°</td> </tr> </table>	✓	linear	0.X	±0.5	0.XX	±0.25	0.XXX	±0.1		angular	0°	±°		title ENHANCED PEC CONNECTOR 2X25P		dwg no 10135383	rev A
✓	linear			0.X	±0.5													
				0.XX	±0.25													
		0.XXX	±0.1															
	angular	0°	±°															
		www.fci.com	cat. no.	-	Product - Customer Drw		sheet 1 of 2											



RECOMMENDED PCB LAYOUT



RECOMMENDED CARD LAYOUT



spec ref	*	dr	Hai-Ling Liu	2015/05/19	projection	MM	size	A3	scale	1:1		
tolerance std	TOLERANCES UNLESS OTHERWISE SPECIFIED	eng	Hai-Ling Liu	2015/07/29			ecn no		-			
		chr	Terris Liu	2015/07/29			rel level		Released			
surface	✓	appr	Pei-Ming Zheng	2015/07/29	product family			-		rel level	Released	
	linear	0.X	±0.5		ENHANCED PEC CONNECTOR			dwg no		10135383	rev	A
		0.XX	±0.25		2X25P							
		0.XXX	±0.1		www.fci.com			cat. no.		-	Product - Customer Drw	sheet 2 of 2
	angular	0°	±°									