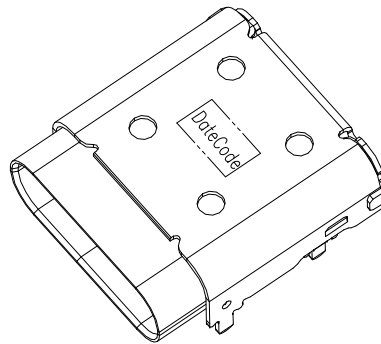
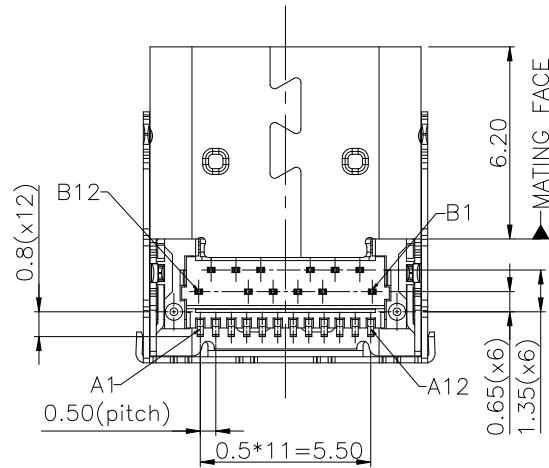
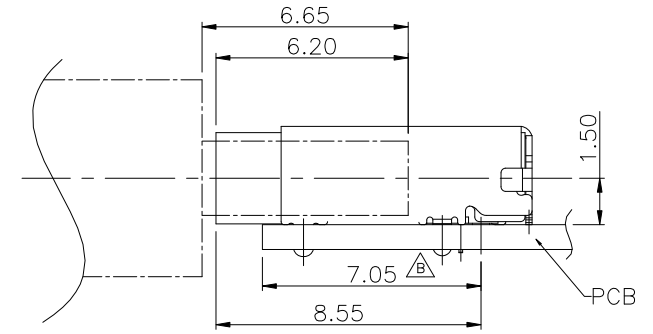
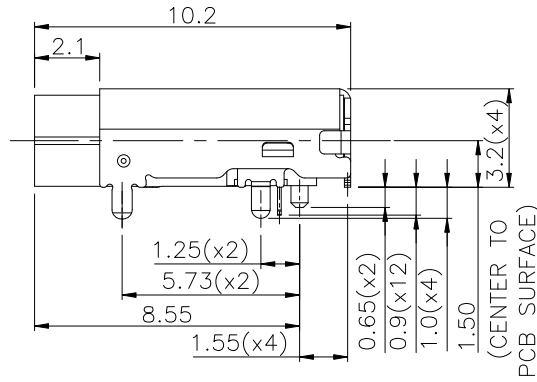
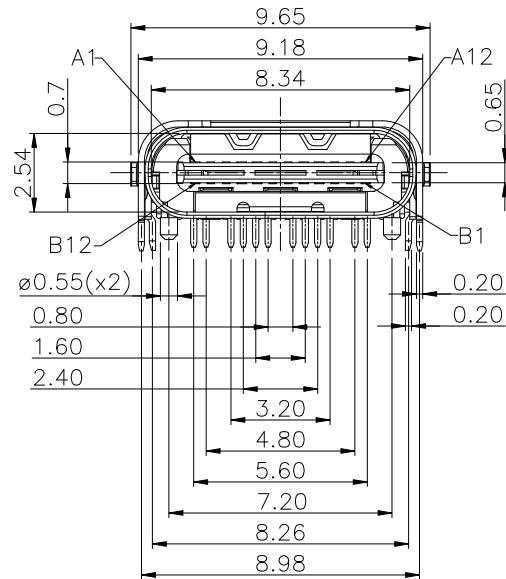


PRODUCT NUMBER
SEE PART NO. SCHEME



ITEM	PART NAME	QTY	MATERIAL	REMARK					
⑥	TOP CONTACT	1 SET	COPPER ALLOY	Ni UNDER PLATING. MATTE TIN PLATING ON SOLDER AREA.					
⑤	BOTTOM CONTACT	1 SET	COPPER ALLOY	GOLD PLATING ON CONTACT AREA. (SEE P/N SCHEME)					
④	SHIELDING PLATE	1 PCS	STAINLESS	Ni PLATING OVERALL.					
③	HOUSING	1 PCS	THERMOPLASTIC	UL94V-0, BLACK					
②	SHELL	1 PCS	STAINLESS	Ni PLATING OVERALL.					
①	TOP SHELL	1 PCS	STAINLESS	Ni PLATING OVERALL.					
ITEM	PART NAME	QTY	MATERIAL	REMARK					
mat'l. code		surface	tolerance	projection	product family				
ltr		ecn no	dr	date	tolerances unless otherwise specified				
A		TAI		2015-10-16	±0.3				
B	ELX-T-23633	AZ		2016-03-25					
angles		X°±3°		projection	product family				
				MM	USB				
				scale	title				
					USB 3.1 TYPE C RECEPTACLE R/A, SMT AND DIP TAILS				
				dr	KENNY TAI	2015-09-21	dwg no	sheet 1 of 2	size
				enr	KENNY TAI	2015-09-21	10137061	A4	
				chr	KENNY TAI	2015-09-21	CUSTOMER Drawing		
				appd	PM ZHENG	2015-10-16			
sheet index	revision sheet	B	B						
		1	2						

