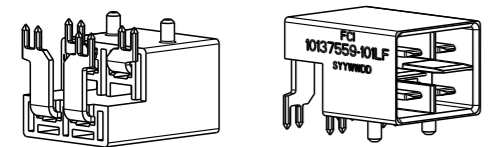
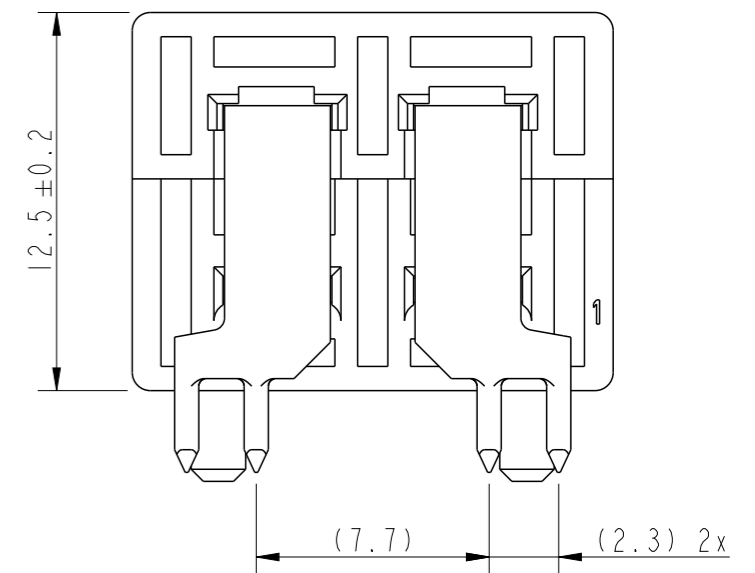
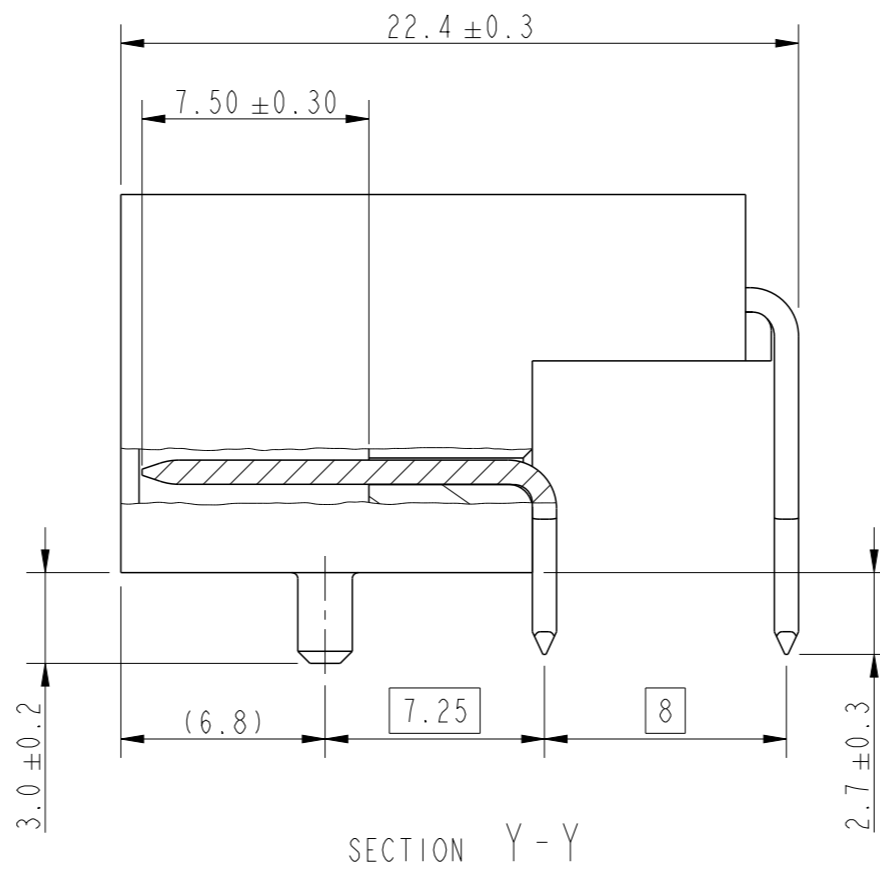
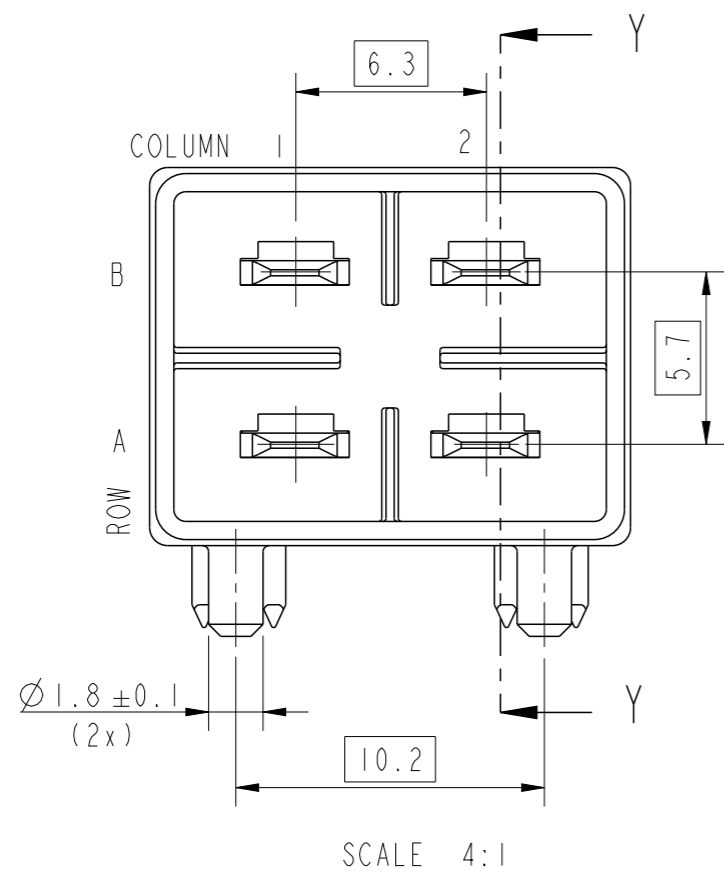


PRODUCT NUMBER
SEE TABLE ON THIS PAGE



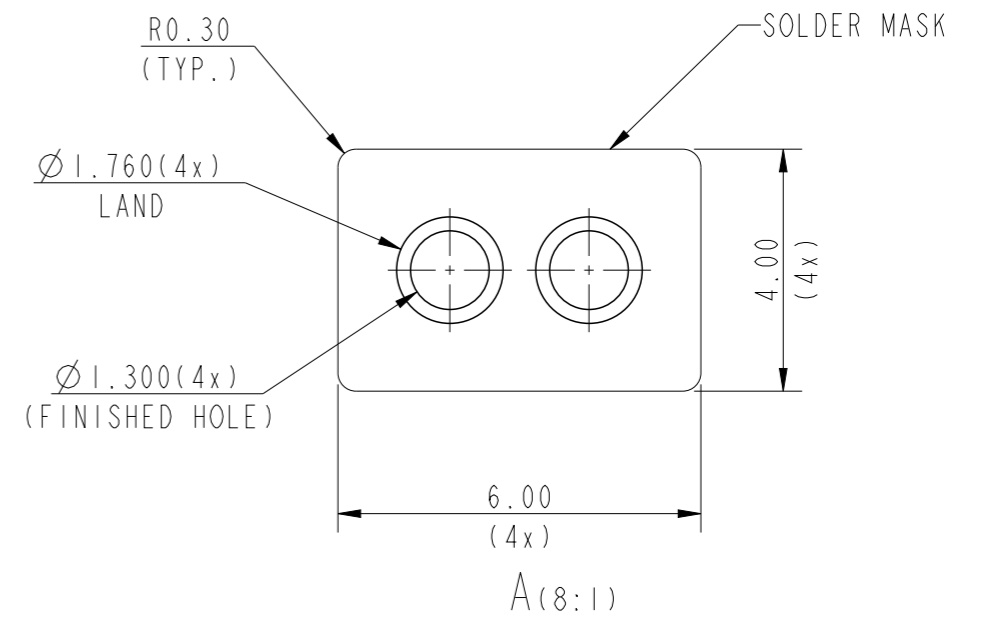
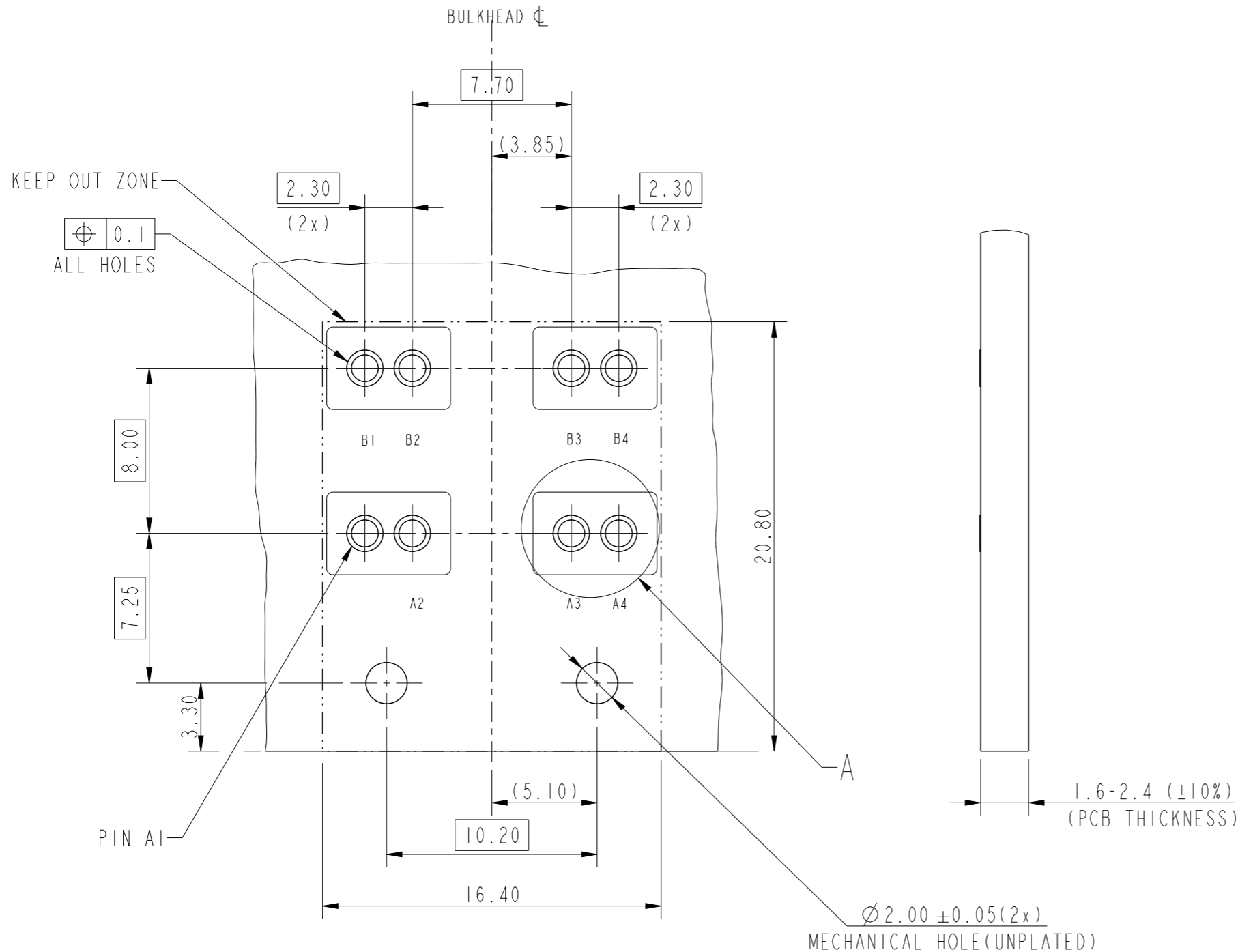
PART NO.	ROW	COLUMN	
		1	2
10137559-101LF	B	X	X
	A	X	X
10137559-102LF	B	X	-
	A	X	X

'X' INDICATES CONTACT LOADING POSITION



spec ref	-	dr	Jibin John	2016/11/04	projection	mm	size	A3	scale	2:1
tolerance std	ISO 406 ISO 1101	eng	Jibin John	2016/11/07			ecn no	-	rel level	Released
TOLERANCES UNLESS OTHERWISE SPECIFIED		chr	-	-						
surface	linear	appr	K-Paul Biju	2016/11/07	product family	OCTIS	rel level	Released	dwg no	10137559
ISO 1302	angular	0°	±2°	Amphenol FCI	POWER RIGHT ANGLE 2X2 BOARD CONNECTOR WITH PIP TERMINATION	cat. no.	-	Product - Customer Drw	rev	A
										sheet 1 of 4

VIEW FROM COMPONENT SIDE



NOTES:

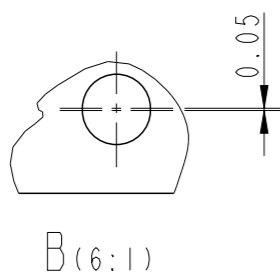
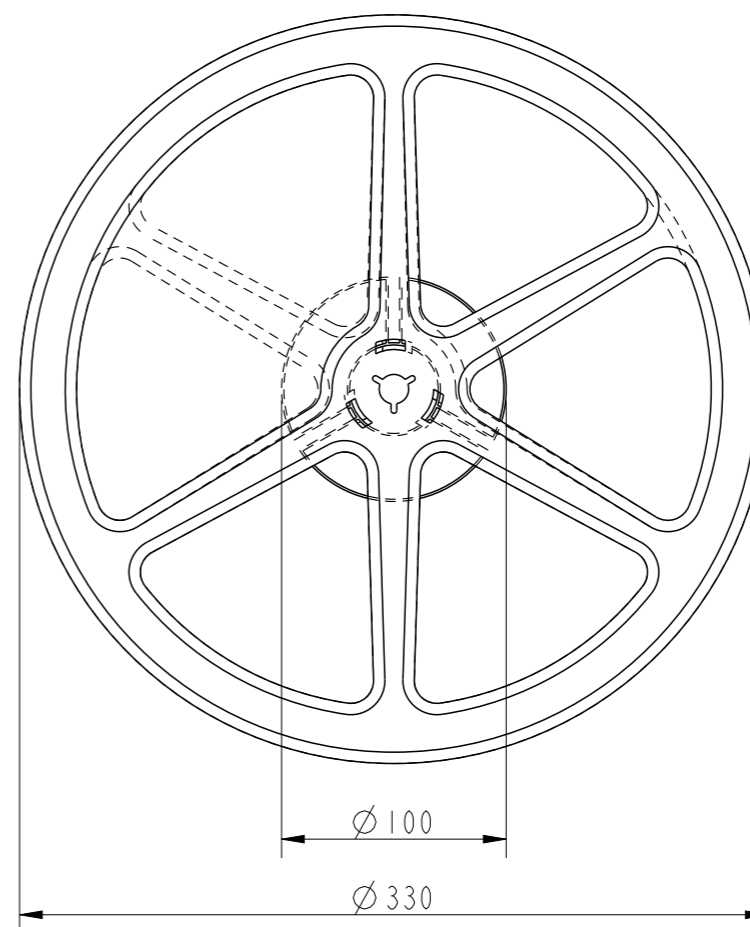
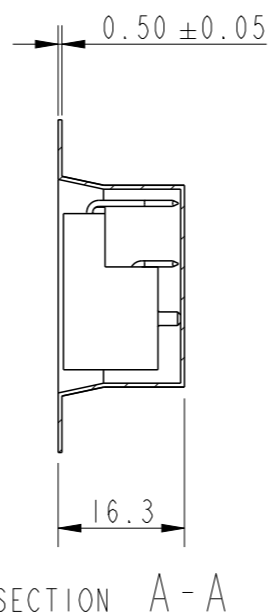
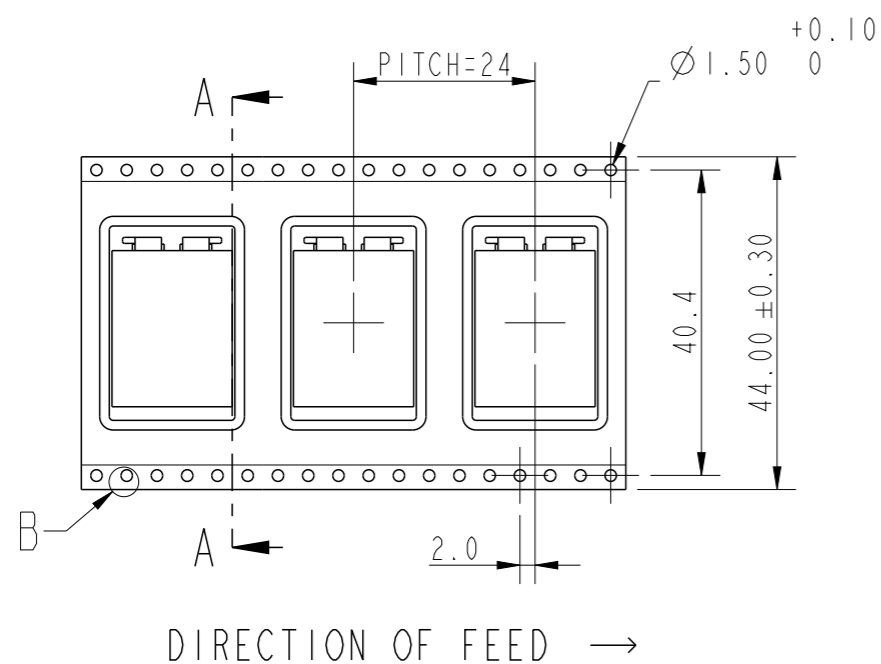
- MATERIAL :
- RESIN - LCP, GLASS FILLED, FLAME RETARDANT ACC
FLAMMABILITY CLASSIFICATION - UL94-V0
- POWER CONTACTS - COPPER ALLOY
- PLATING :
- PURE TIN ON POWER CONTACTS
- PRODUCT SPECIFICATION: GS-XX-XXX
- APPLICATION SPECIFICATION: GS-XX-XXX
- PACKAGING - TAPE & REEL
- UNDER PLATING FOR CONTACTS IS 1.27µ NICKEL.
- PRODUCT WILL WITHSTAND EXPOSURE TO 260° FOR 60 SECONDS IN A CONVECTION, INFRA RED OR VAPOUR PHASE REFLOW OVEN
- PRODUCT WHERE THE PARTNUMBER ENDS IN LF MEETS EUROPEAN DIRECTIVES AND OTHER COUNTRY REGULATIONS AS DESCRIBED IN GS-47-0004.

NOTE: ABOVE PCB IS FOR P/N 10137559-101LF
FOR 10137559-102LF, REMOVE THE HOLES B3, B4

POWER PTH DETAILS	
DRILLED HOLE	1.37-1.42mm
COPPER PLATING	25-50µm
TIN PLATING	0.8-1.2µm
FINISHED HOLE DIA	1.25-1.35mm

spec ref	-	dr	Jibin John	2016/11/04	projection	mm	size	A3	scale	2:1
tolerance std	ISO 406 ISO 1101	eng	Jibin John	2016/11/07			ecn no	-	rel level	Released
TOLERANCES UNLESS OTHERWISE SPECIFIED		chr	-	-						
surface	linear	0.X	±0.3		product family	OCTIS	dwg no	10137559	rev	A
		0.XX	±0.13		POWER RIGHT ANGLE 2X2 BOARD CONNECTOR					
		0.XXX	±0.050		WITH PIP TERMINATION					
	angular	0°	±2°	cat. no.	-	Product - Customer Drw	sheet 2 of 4			

PACKAGING SPECIFICATION



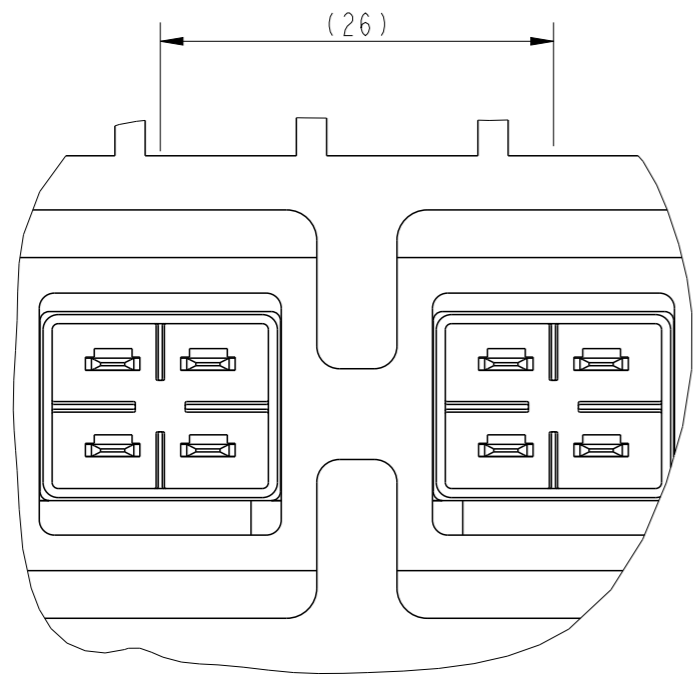
TAPE & REEL PACKING DETAILS

NOTES:

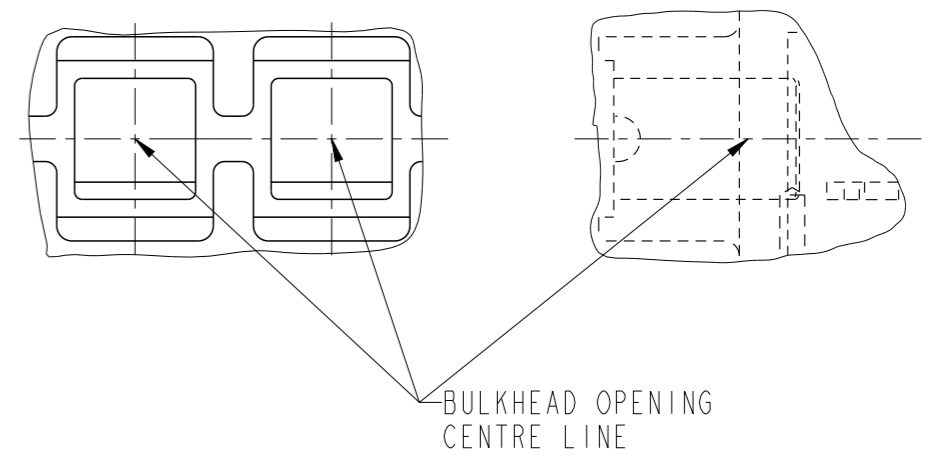
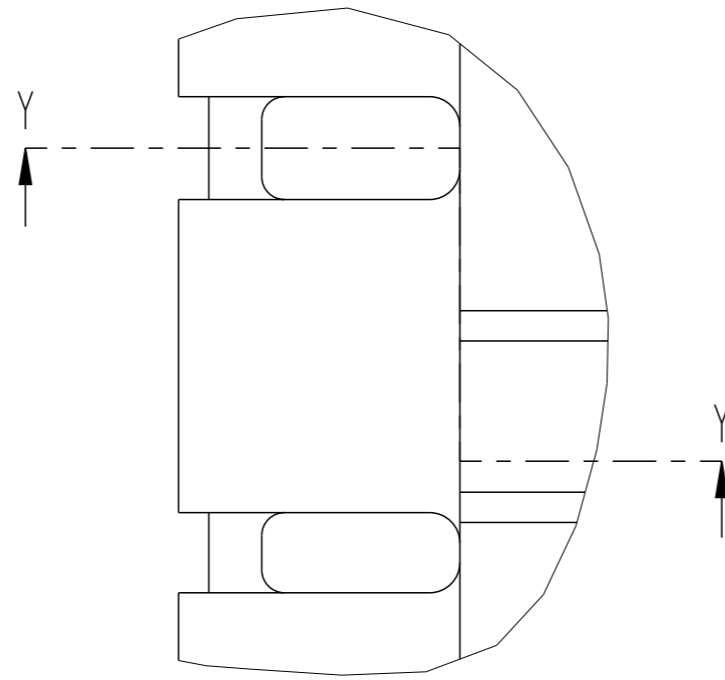
1. PACKAGING DETAILS AS PER EIA-481 STD.
2. PACKING SHOULD BE ANTISTATIC.
3. MATERIAL :
CARRIER TAPE : POLYSTYRENE
COVER TAPE : POLYSTYRENE

spec ref	-	dr	Jibin John	2016/11/04	projection	mm	size	A3	scale	2:1
tolerance std	ISO 406 ISO 1101	eng	Jibin John	2016/11/07			ecn no	-	rel level	Released
TOLERANCES UNLESS OTHERWISE SPECIFIED		chr	-	-			product family	OCTIS	rel level	Released
surface	linear	0.X	±0.3	Amphenol FCI	POWER RIGHT ANGLE 2X2 BOARD CONNECTOR		dwg no 10137559	rev A		
		0.XX	±0.13		WITH PIP TERMINATION					
ISO 1302	angular	0°	±2°		cat. no.	-	Product - Customer Drw	sheet 3 of 4		

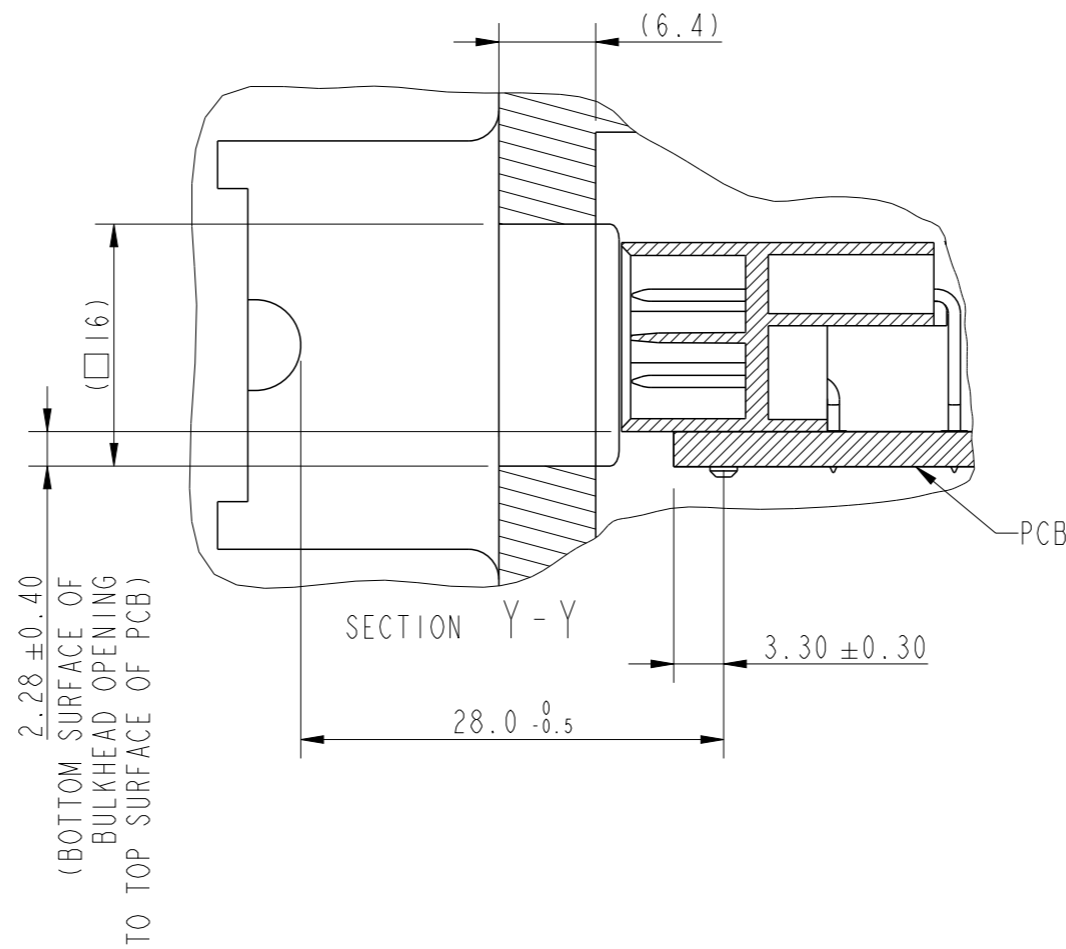
BOARD CONNECTOR
WITH BULKHEAD



BULKHEAD OPENING
CENTRE LINE



BULKHEAD OPENING



spec ref	-	dr	Jibin John	2016/11/04
tolerance std	ISO 406 ISO 1101	eng	Jibin John	2016/11/07
TOLERANCES UNLESS OTHERWISE SPECIFIED		chr	-	-
		appr	K-Paul Biju	2016/11/07

projection	mm	size	A3	scale	2:1
		ecn no	-	rel level	Released
product family	OCTIS	title	POWER RIGHT ANGLE 2X2 BOARD CONNECTOR WITH PIP TERMINATION		rev
cat. no.	-	Product - Customer Drw	10137559	sheet 4 of 4	A