

Amphenol
FCI

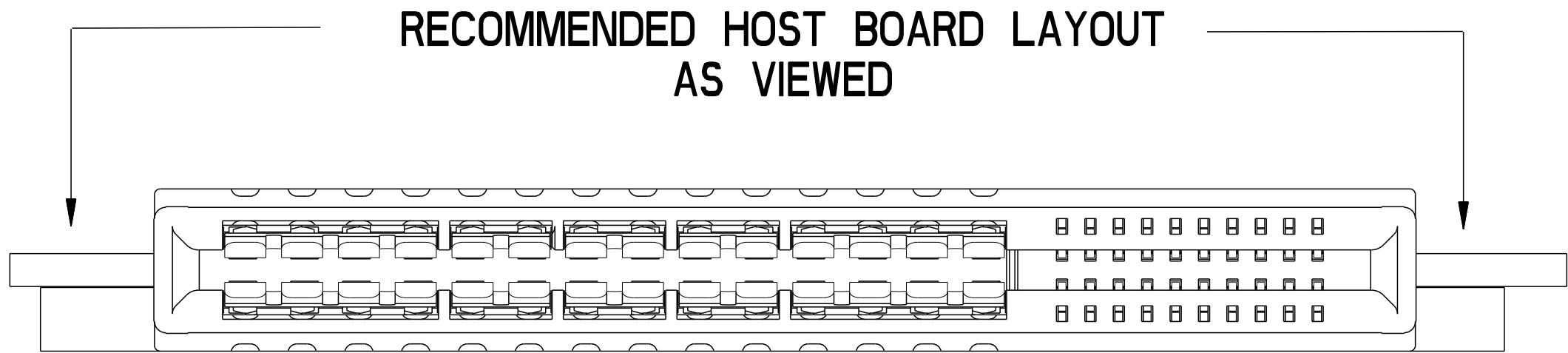
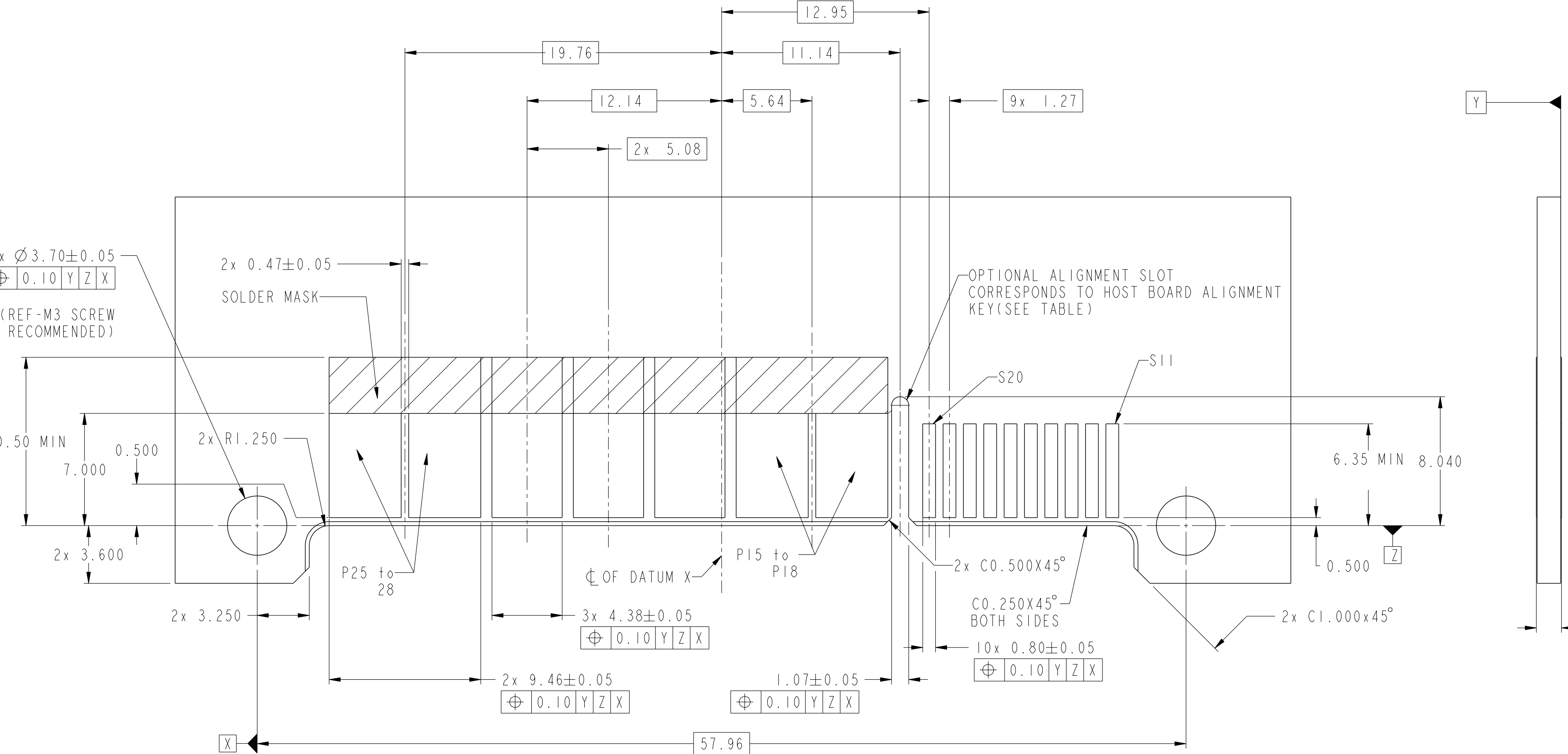
© 2016 APCI

spec ref	-	dr	Hai-Ling Liu	2016/02/17	projection	MM	size	A2	scale	4:1
tolerance std	ISO 406 ISO 1101	eng	Hai-Ling Liu	2016/06/08			ecn no	-	rel level	Released
TOLERANCES UNLESS OTHERWISE SPECIFIED		chr	Terris Liu	2016/06/08						
surface	ISO 1302	appr	Pei-Ming Zheng	2016/06/08	product family	CARD EDGE	rel level	Released	cat. no.	-
	linear	0.X	±0.5		HPCE STRADDLE MOUNT TYPE		dwg no	10138762	rev	A
		0.XX	±0.25		2HP6LP2HP20S LOW HF		Product - Customer Drw	sheet 1 of 4		
	angular	0°	±2°							

PDS: Rev :A

STATUS:Released

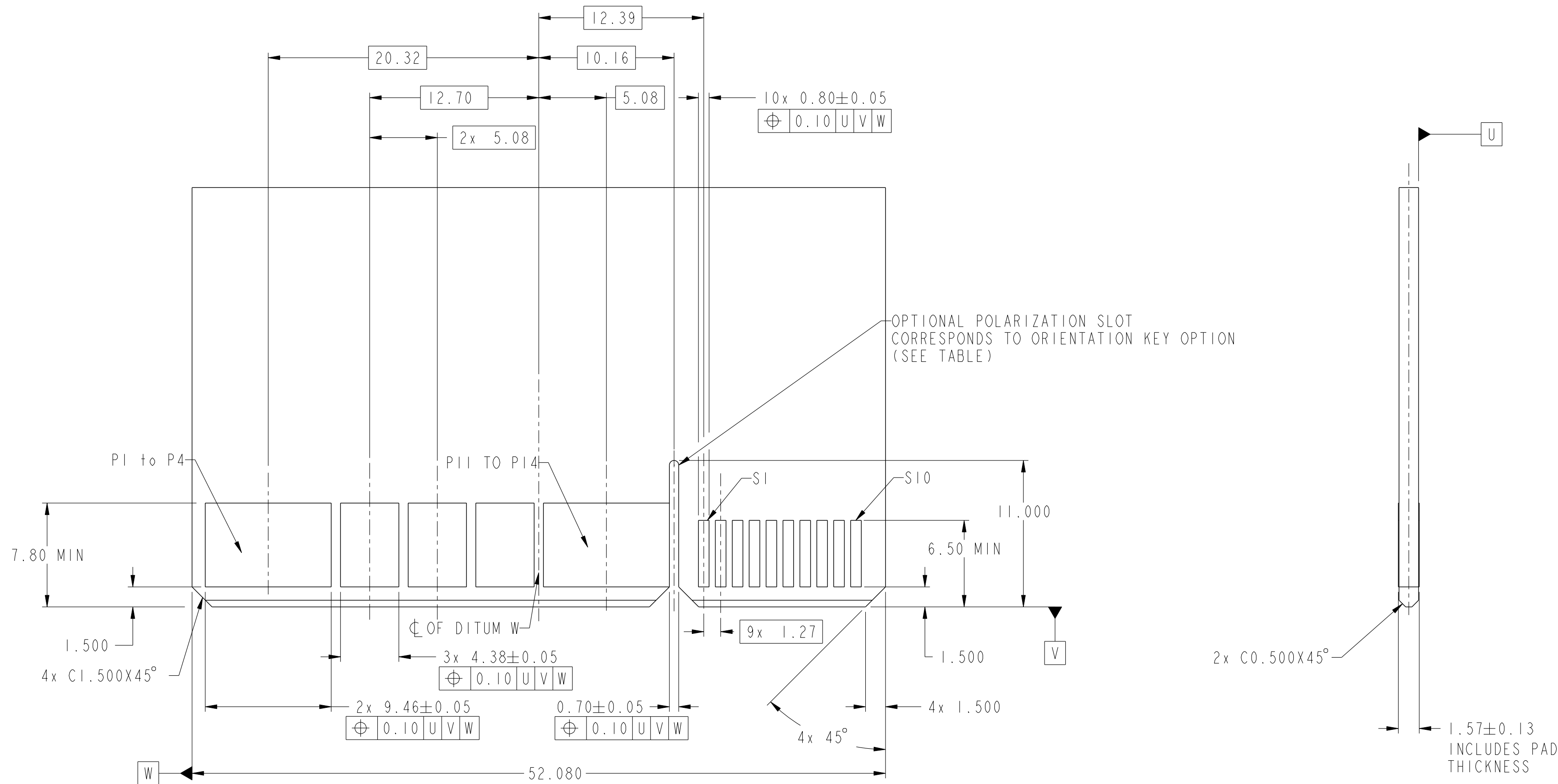
Printed: Jun 14, 2016



spec ref	-	dr	Hai-Ling Liu	2016/02/17	projection	MM	size	A2	scale	2:1	
tolerance std	ISO 406 ISO 1101	eng	Hai-Ling Liu	2016/06/08			ecn no	-	rel level		Released
TOLERANCES UNLESS OTHERWISE SPECIFIED		chr	Terris Liu	2016/06/08			product family	-	rel level		Released
surface	ISO 1302	appr	Pei-Ming Zheng	2016/06/08			cat. no.	-	Product - Customer Drw	sheet 2 of 4	rev
linear	0.X ±0.5 0.XX ±0.25 0.XXX ±0.10			HPCE STRADDLE MOUNT TYPE 2HP6LP2HP20S LOW HF		dwg no	10138762				
angular	0° ±2°			PDS: Rev :A		STATUS:Released		Printed: Jun 14, 2016			

Amphenol
FCI

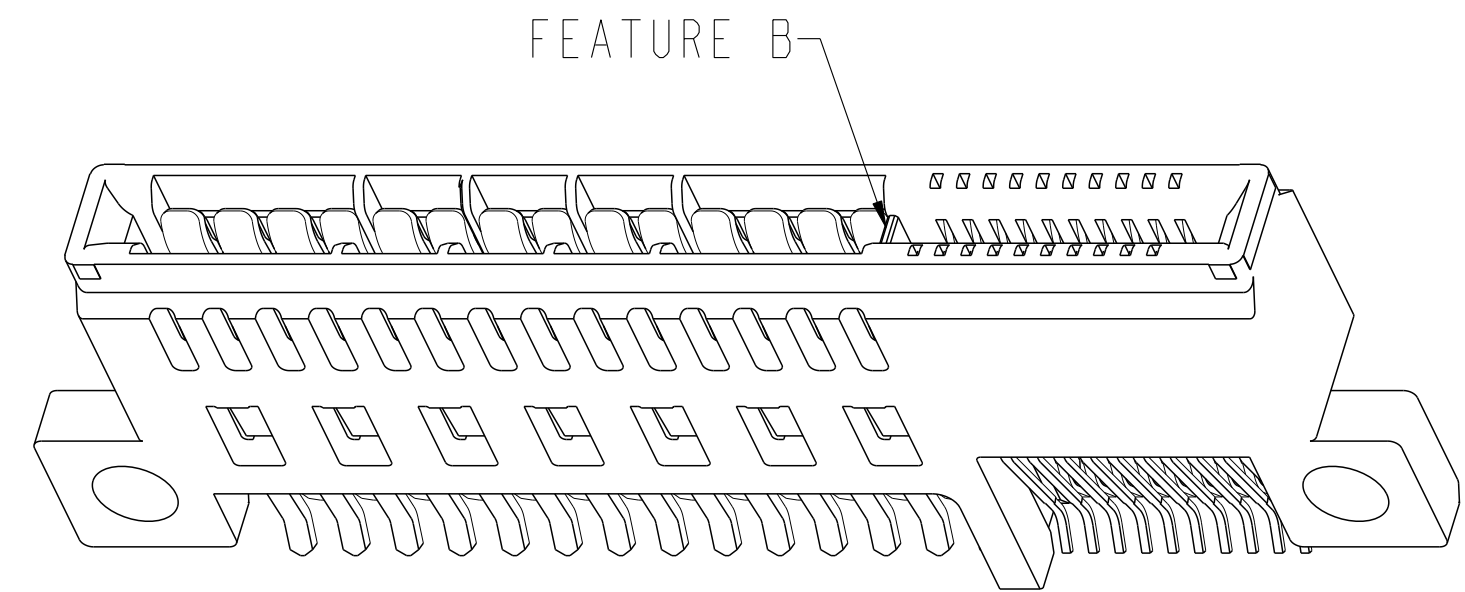
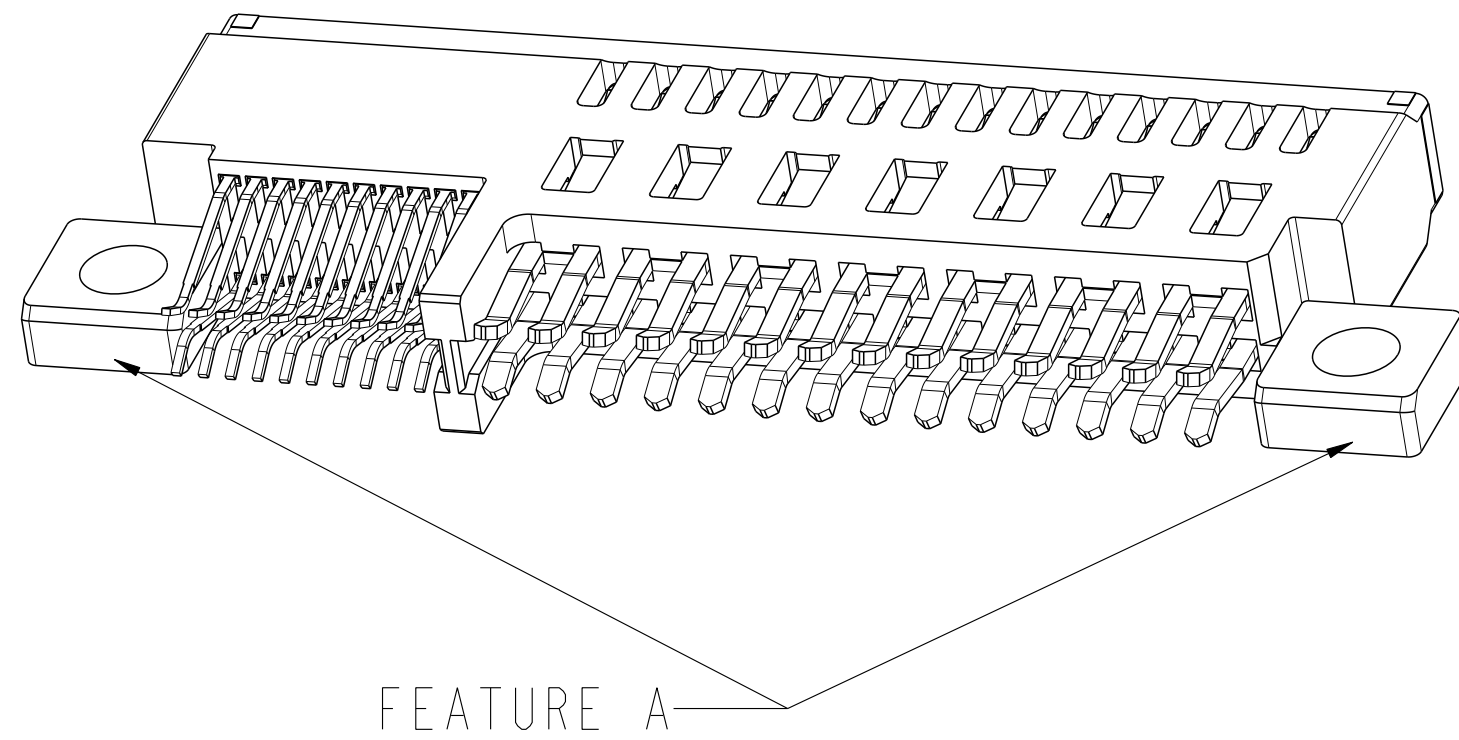
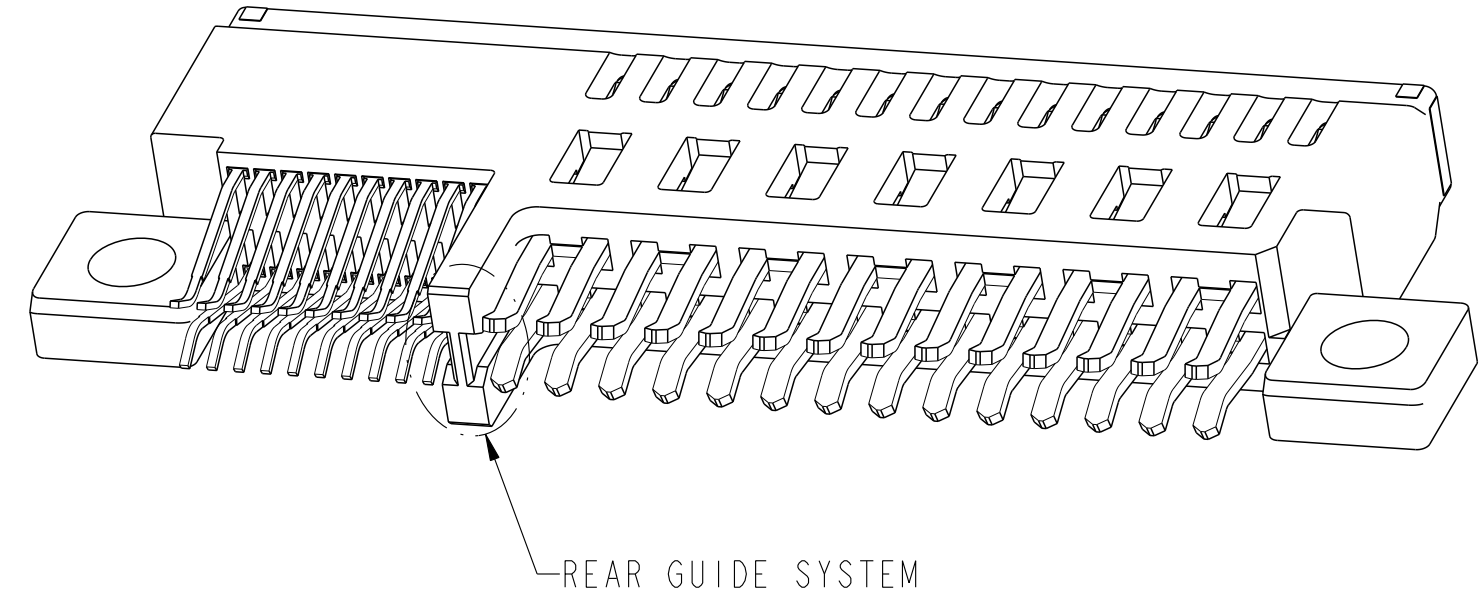
© 2016 APCI



RECOMMENDED MATING BOARD FOOTPRINT

spec ref	-	dr	Hai-Ling Liu	2016/02/17	projection	MM	size	A2	scale	1:1
tolerance std	ISO 406 ISO 1101	eng	Hai-Ling Liu	2016/06/08			ecn no	-	rel level	Released
TOLERANCES UNLESS OTHERWISE SPECIFIED		chr	Terris Liu	2016/06/08						
		appr	Pei-Ming Zheng	2016/06/08						
surface	linear	0.X	±0.5		product family		dwg no	10138762	rev	A
		0.XX	±0.25		HPCE STRADDLE MOUNT TYPE					
		0.XXX	±0.10		2HP6LP2HP20S LOW HF					
ISO 1302	angular	0°	±2°	cat. no.	-	Product - Customer Drw	sheet 3 of 4			

PART NUMBER	REAR GUIDE SYSTEM	FEATURE A MOUNTING EARS	FEATURE B FRONT POLARIZATION KEY
10138762-001HFLF	YES	YES	NO
10138762-002HFLF		YES	YES
10138762-003HFLF		NO	NO
10138762-004HFLF	NO	NO	YES
10138762-005HFLF		YES	NO
10138762-006HFLF		YES	YES
10138762-007HFLF		NO	NO
10138762-008HFLF		NO	YES



NOTES:

- CONNECTOR MATERIALS:
 HOUSING: HIGH TEMPERATURE THERMAL PLASTIC, BLACK
 UL 94V-0 COMPLIANT
 CONTACTS: HIGH PERFORMANCE COPPER ALLOY.
- CONTACT FINISH REF. GS-12-604 SECTION 5.2.
- PRODUCT SPECIFICATION: GS-12-604.
- APPLICATION SPECIFICATION: GS-20-128.
- PRODUCT MARKING (FCI - PART NUMBER & DATE CODE) ON HOUSING IN AREA SHOWN.
- PACKAGING MEETS FCI SPECIFICATION GS-14-937.
- HOST BOARD ALIGNMENT KEY IS RECOMMENDED TO ENSURE PROPER ALIGNMENT OF SOLDER TAILS WITH HOST BOARD PADS.

spec ref	-	dr	Hai-Ling Liu	2016/02/17	projection	MM	size	A2	scale	4:1
tolerance std	ISO 406 ISO 1101	eng	Hai-Ling Liu	2016/06/08			ecn no	-	rel level	Released
TOLERANCES UNLESS OTHERWISE SPECIFIED		chr	Terris Liu	2016/06/08			product family	CARD EDGE		
surface	linear	0.X	±0.5		HPCE STRADDLE MOUNT TYPE		dwg no	10138762	rev	A
		0.XX	±0.25		2HP6LP2HP20S LOW HF		cat. no.	-	Product - Customer Drw	sheet 4 of 4
	angular	0°	±2°							