

10139781- A A B C D E G V F F

AA	POSITION
04	2X20
06	2X30
08	2X40
10	2X50
12	2X60

B	FOR PLUG, SEE DWG. NO.10139085	
COMBINATION OF MATED HEIGHT	Plug 1 	Plug 4 
Recep 1 		
Recep 2 		
Recep 3 		
Recep 4 		

G	PACKAGING
/	STANDARD, NOT PRINT DATE CODE
P	PRINT DATE CODE

E	PACKAGING
2	T&R WITH METAL CAP
Q	T&R WITHOUT CAP

D	POLARIZATION PEG
0	YES
2	NO

	MANDATORY CODE	V
	STANDARD, NOT MANDATORY P/N	/
	ONLY FOR DEDICATED CUSTOMER	T

C	PLATING: CONTACT AREA / SOLDER TAIL AREA	FF
4	GOLD 0.2um MIN / PURE MATT TIN 2.5um MIN NICKEL UNDERPLATE OVERALL 1.27um.	LF
5	GOLD 0.38um MIN / MATT PURE TIN 2.5um MIN NICKEL UNDERPLATE OVERALL 1.27um MIN	LF
6	GOLD FLASH OVER PALLADIUM-NICKEL 0.69um/PURE MATT TIN NICKEL UNDERPLATE OVERALL 1.27um.	LF

NOTES:

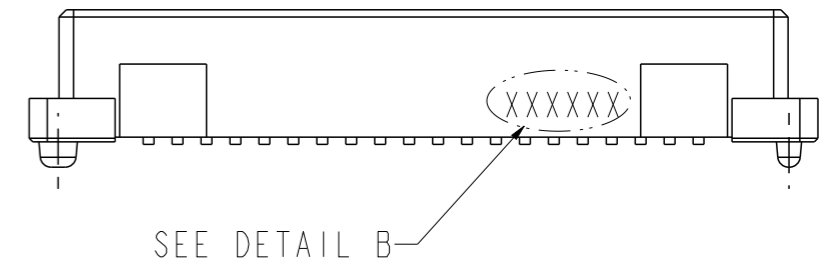
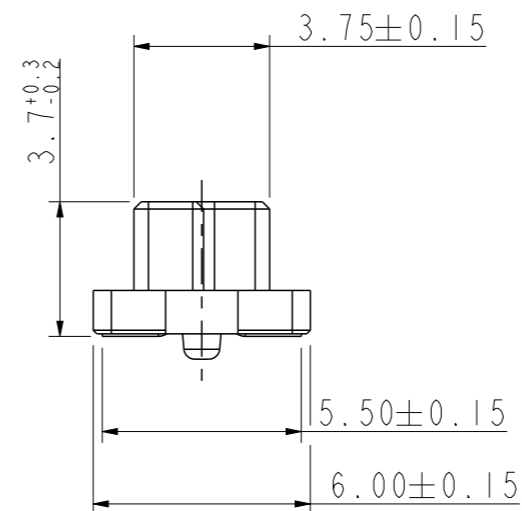
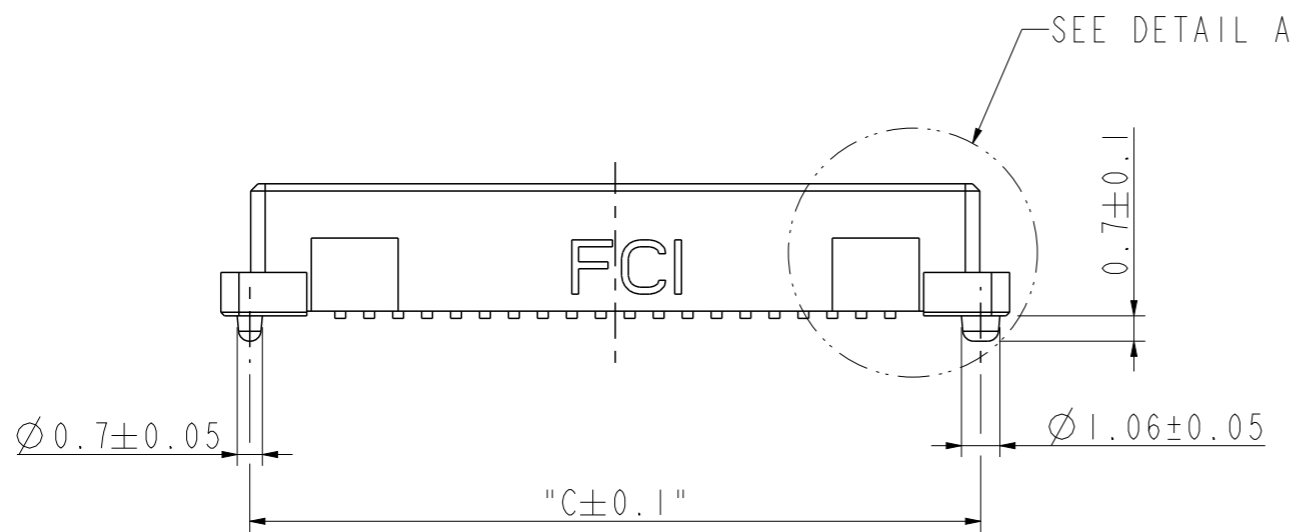
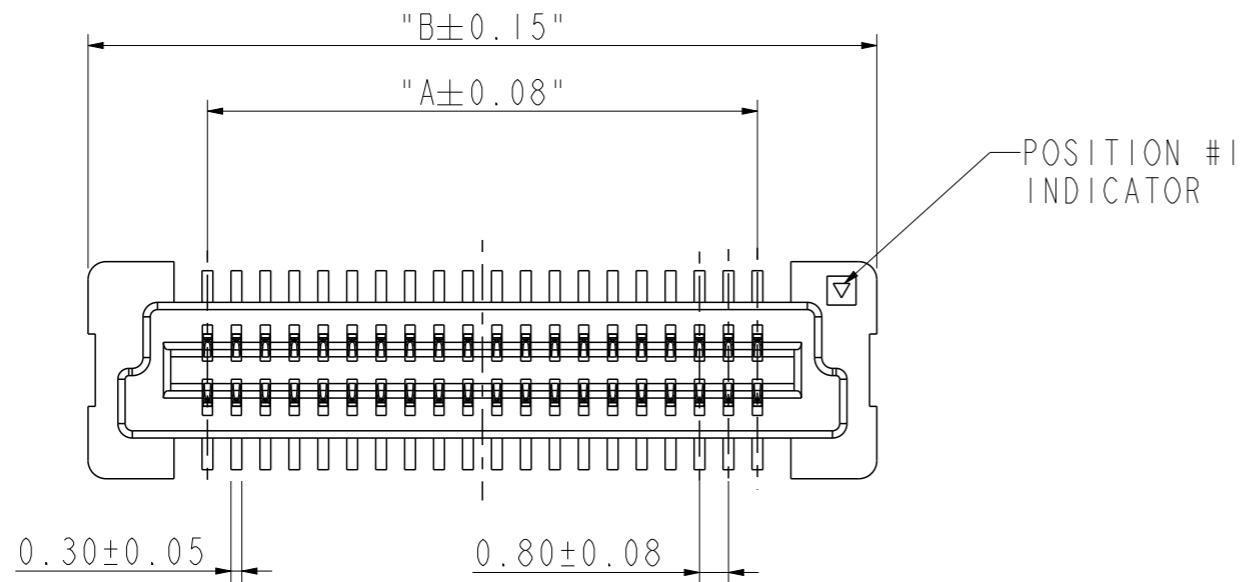
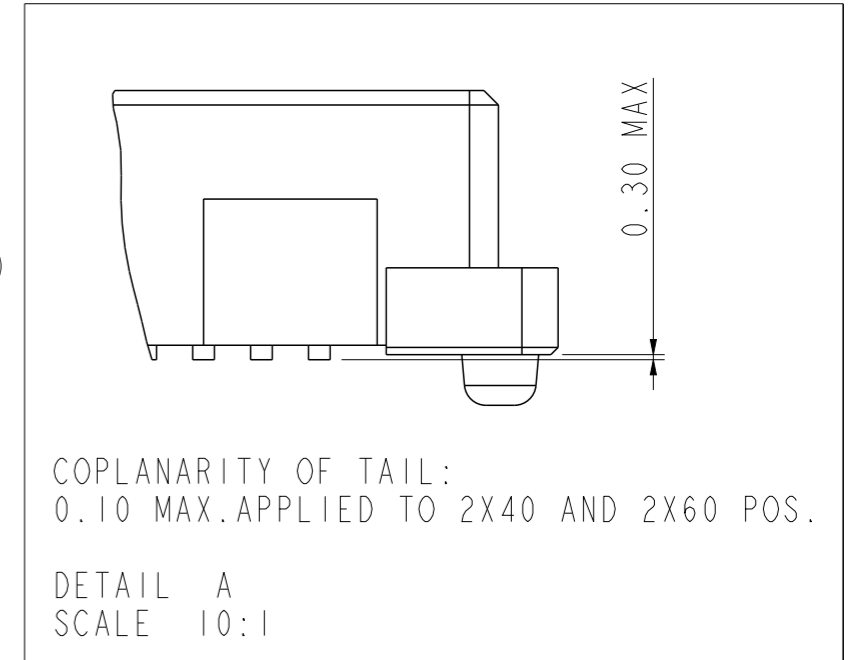
- MATERIAL  
HOUSING: LCP UL,NATURAL 94V-0  
TERMINAL: COPPER ALLOY
- PLATING  
AS SHOWN IN TABLE.
- PRODUCT SPEC PLEASE REFER TO GS-12-1354 .
- SEE GS-15-551 AND GS-14-816 FOR THE DETAILS OF PACKAGING.
- PACKAGING OPTION 2: "NOT ALL SIZES AVAILABLE; CHECK WITH FACTORY".
- THIS PRODUCT MEETS THE EUROPEAN UNION DIRECTIVES AND OTHER COUNTRY REGULATIONS AS DESCRIBED IN GS-22-008.
- THE HOUSING WITH WITHSTAND EXPOSURE UP TO 260° PEAK TEMPERATURE FOR 30 SECONDS IN A CONVECTION, INFRA-RED OR VAPOR REFLOW OVEN.
- A SYMBOL WILL BE NEXT TO ANY DIMENSION, VIEW OR NOTE WHICH HAS BEEN MODIFIED WITH THE CURRENT DRAWING REVISION.

spec ref	-	dr	Eric Huang	2016/08/02	projection		size	A3	scale	1:1
tolerance std	ISO 406 ISO 1101	eng	Bob Gu	2019/01/07			ecn no	ELX-N-30964-1		
	TOLERANCES UNLESS OTHERWISE SPECIFIED	chr	-	-			rel level	Released		
surface	linear	appr	Tim Yao	2019/01/07	product family	-	rel level	Released		
	angular									
	0.X	±0.3								
	0.XX	±0.15								
	0.XXX	±0.08								
	ISO 1302	0°	±2°							
					Amphenol FCI	BERGSTAK+ 0.8mm	dwg no	10139781	rev	E
						RECEPTACLE CONN				
					cat. no.	-	Product - Customer Drw	sheet 1 of 7		

PRODUCT NO.	NUMBER OF POSITIONS	DIMENSION		
		A	B	C
10139781-081*****	2X40	31.2	37.8	36.2
10139781-121*****	2X60	47.2	53.8	52.2

DATE CODE: XXXXXX  
 DAY(01~31)  
 MONTH(01~12)  
 YEAR(00~99)

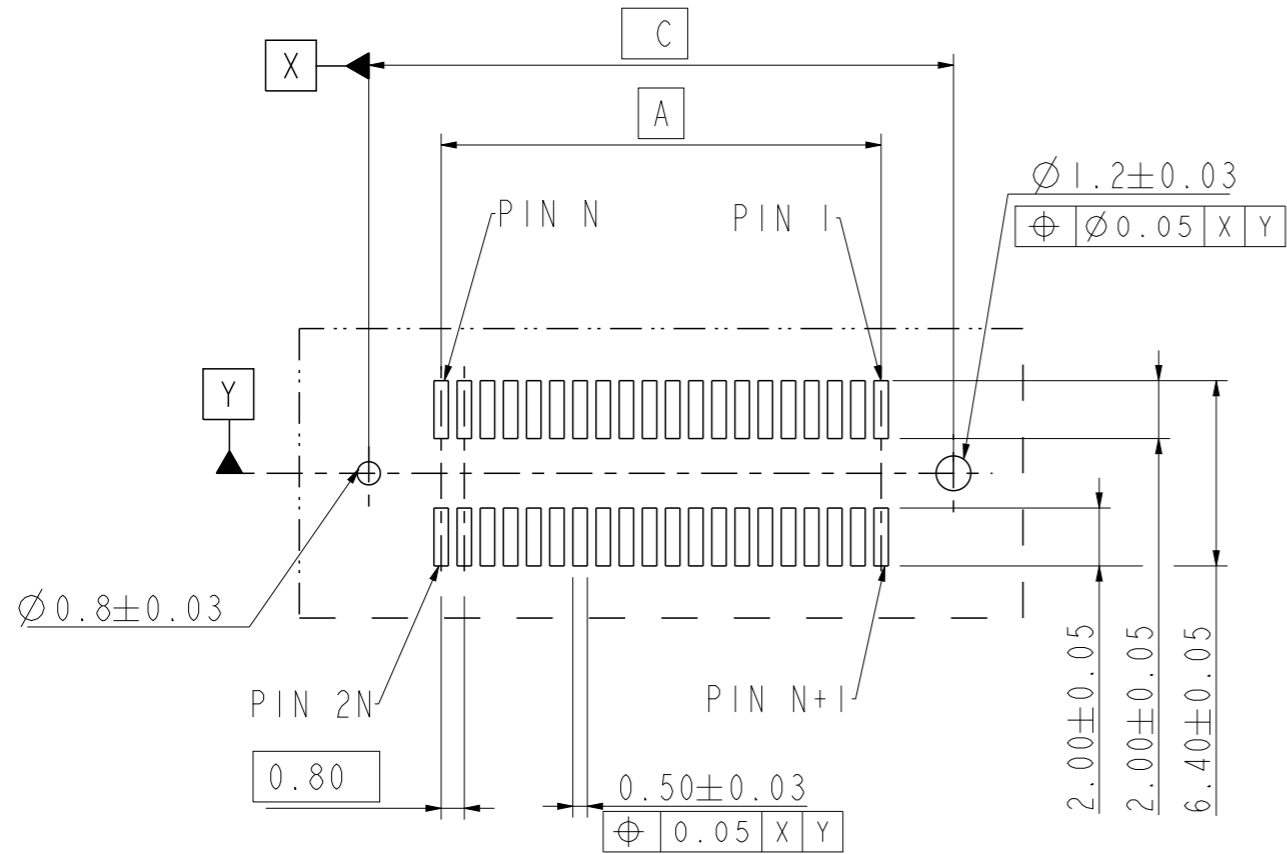
DETAIL B  
 SCALE 5:1



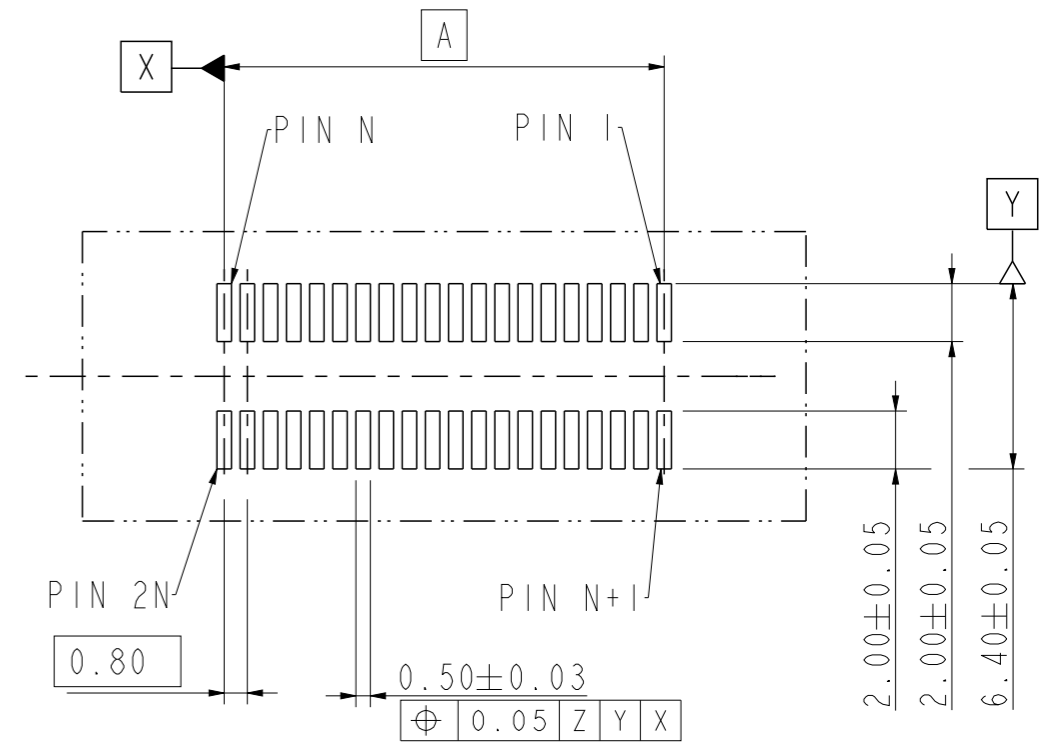
RECEPTACLE 1

spec ref	-	dr	Eric Huang	2016/08/02	projection	mm	size	A3	scale	1:1	
tolerance std	ISO 406 ISO 1101	eng	Bob Gu	2019/01/07		← →	ecn no	ELX-N-30964-1			
TOLERANCES UNLESS OTHERWISE SPECIFIED		chr	-	-			rel level	Released			
surface	linear	appr	Tim Yao	2019/01/07	product family	-	dwg no	10139781		rev	E
ISO 1302	angular	Amphenol FCI		BERGSTAK+ 0.8mm	cat. no.	-	Product - Customer Drw	sheet 2 of 7			
				RECEPTACLE CONN							

RECEPTACLE 1



RECOMMENDED PCB LAYOUT WITH PEGS  
FOR NO. OF POSITION 2X40, 2X60



RECOMMENDED PCB LAYOUT WITHOUT PEGS  
FOR NO. OF POSITION 2X40, 2X60

Amphenol  
FCi

© 2016 AFCI

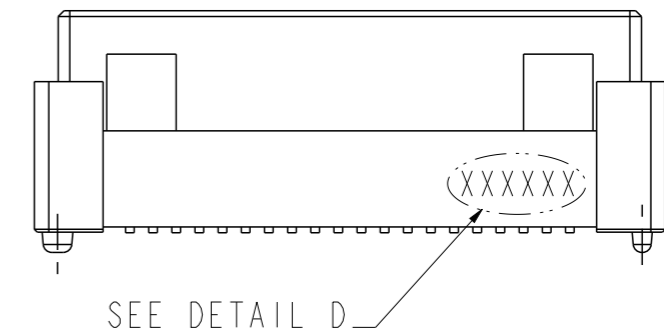
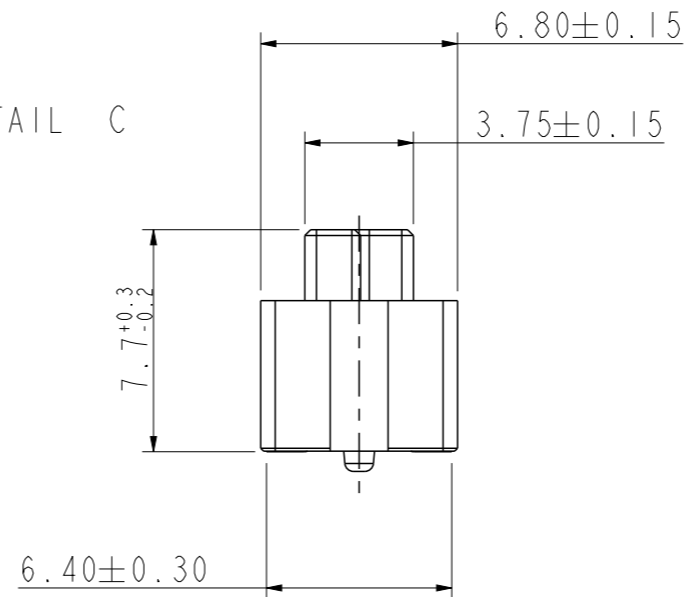
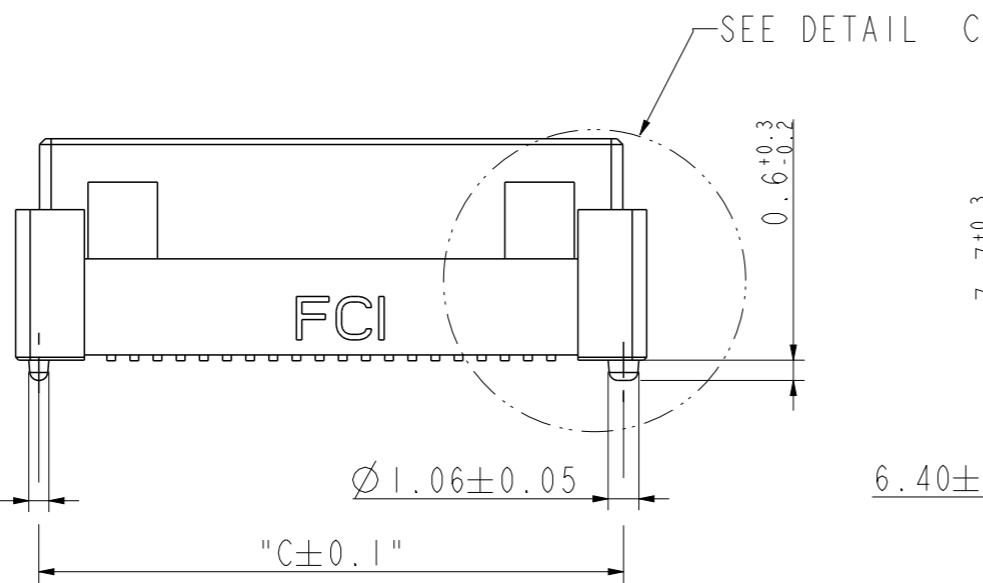
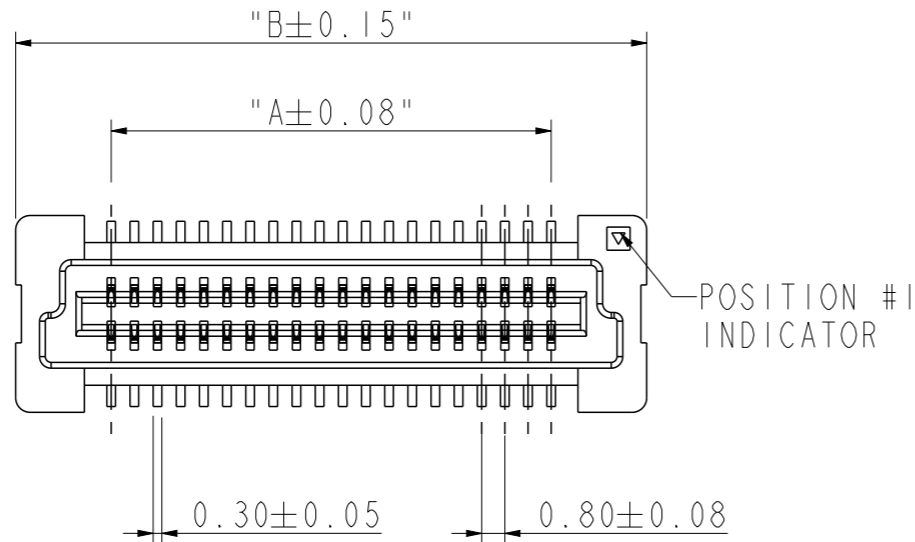
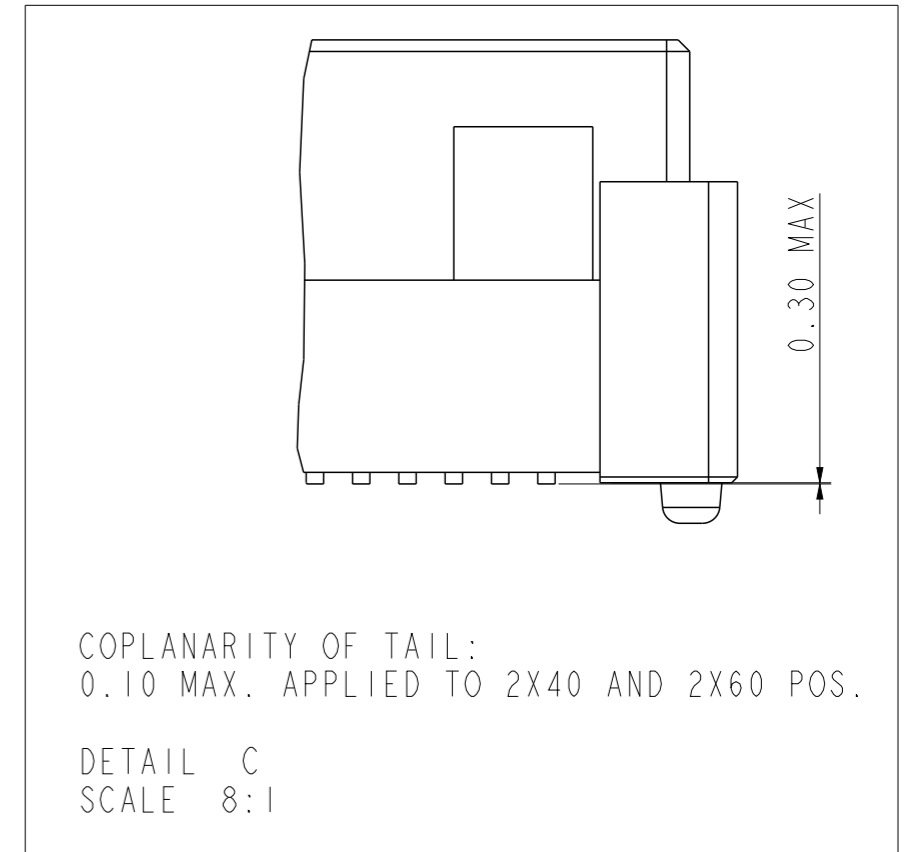
spec ref -		dr	Eric Huang	2016/08/02	projection	mm	size	A3	scale	1:1
tolerance std		eng	Bob Gu	2019/01/07			ecn no		ELX-N-30964-1	
ISO 406 ISO 1101		chr	-	-			rel level		Released	
surface		appr	Tim Yao	2019/01/07	product family		-		-	
ISO 1302	linear	0.X		$\pm 0.3$	<b>Amphenol FCI</b> BERGSTAK+ 0.8mm RECEPTACLE CONN		dwg no 10139781		rev E	
		0.XX		$\pm 0.15$						
		0.XXX		$\pm 0.08$						
	angular	0°		$\pm 2^\circ$	cat. no.		-		Product - Customer Drw	

PRODUCT NO.	NUMBER OF POSITIONS	DIMENSION		
		A	B	C
10139781-082*****	2X40	31.2	37.8	36.2
10139781-122*****	2X60	47.2	53.8	52.2

DATE CODE: XXXXXX

DAY(01~31)  
MONTH(01~12)  
YEAR(00~99)

DETAIL D  
SCALE 5:1

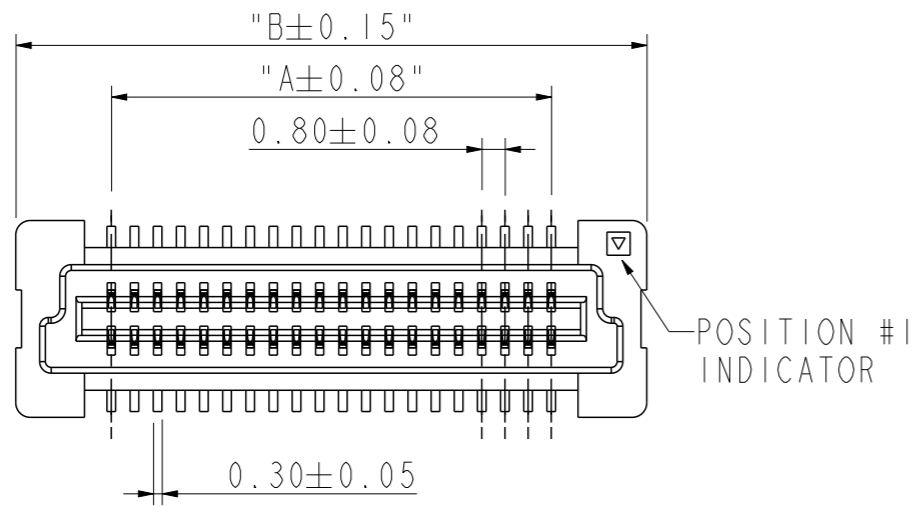
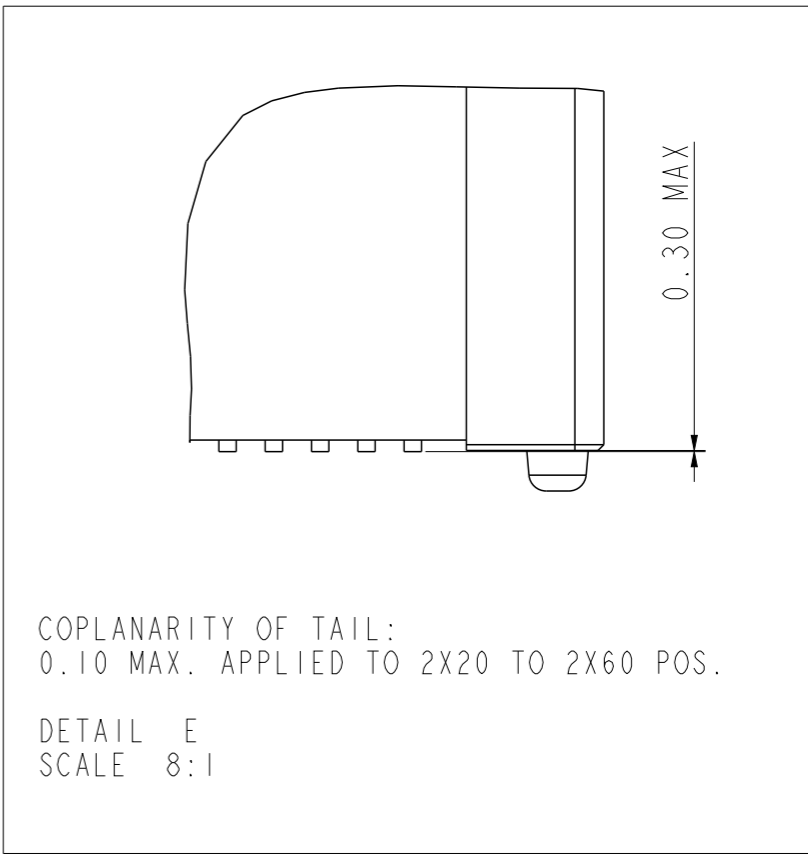


RECEPTACLE 2

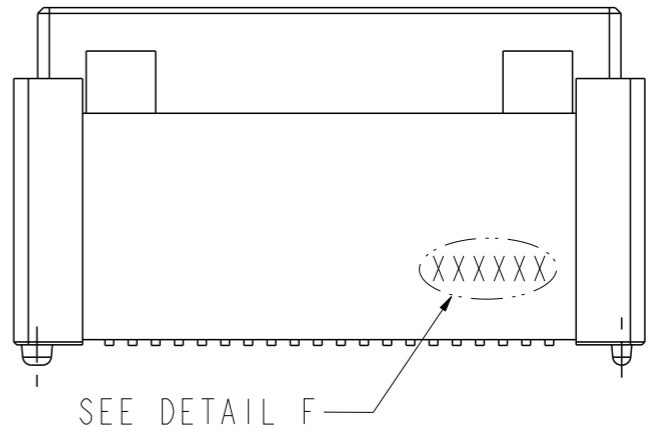
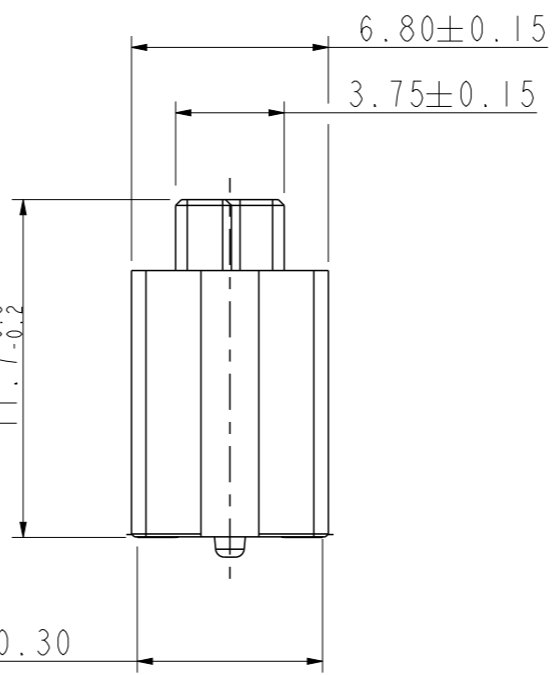
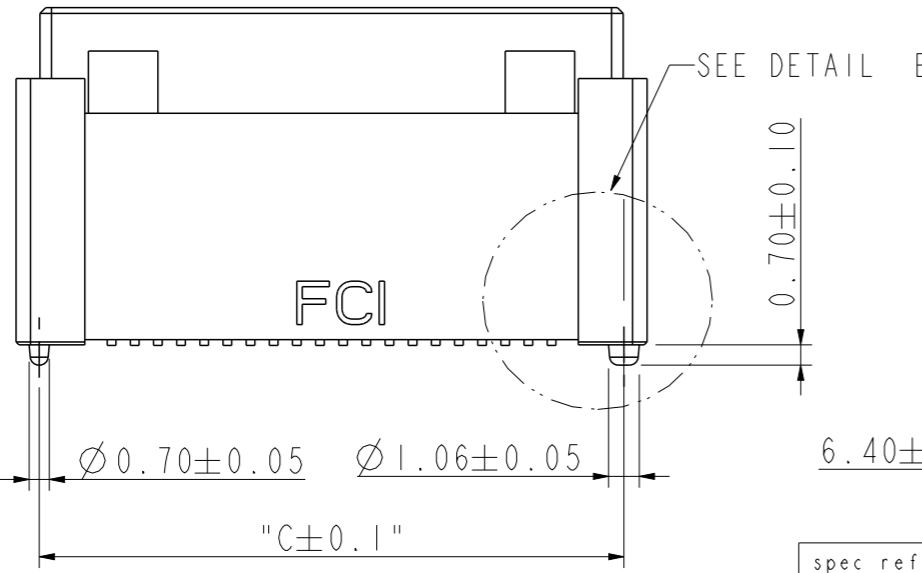
spec ref	-	dr	Eric Huang	2016/08/02	projection	mm	size	A3	scale	1:1	
tolerance std	ISO 406 ISO 1101	eng	Bob Gu	2019/01/07			ecn no	ELX-N-30964-1			
TOLERANCES UNLESS OTHERWISE SPECIFIED		chr	-	-			rel level	Released			
surface	linear	appr	Tim Yao	2019/01/07	product family	-	rel level	Released			
	angular	0°	±2°	Amphenol FCI	BERGSTAK+ 0.8mm	RECEPTACLE CONN	dwg no	10139781		rev	E
ISO 1302		cat. no.	-	Product - Customer Drw	sheet 4 of 7						

PRODUCT NO.	NUMBER OF POSITIONS	DIMENSION		
		A	B	C
10139781-043*****	2X20	15.2	21.8	20.2
10139781-063*****	2X30	23.2	29.8	28.2
10139781-083*****	2X40	31.2	37.8	36.2
10139781-103*****	2X50	39.2	45.8	44.2
10139781-123*****	2X60	47.2	53.8	52.2

DATE CODE: XXXXXX  
 DAY(01~31)  
 MONTH(01~12)  
 YEAR(00~99)

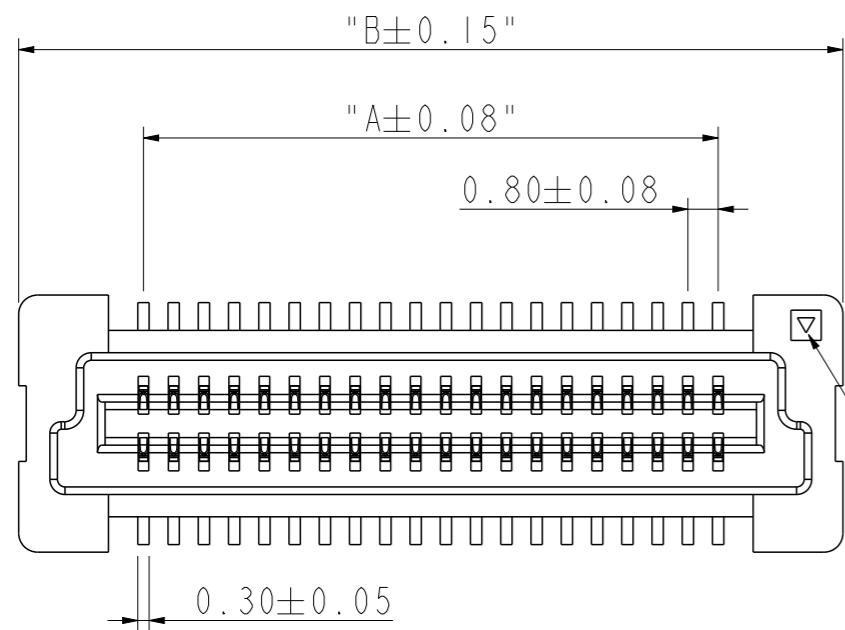


DETAIL F  
SCALE 5:1



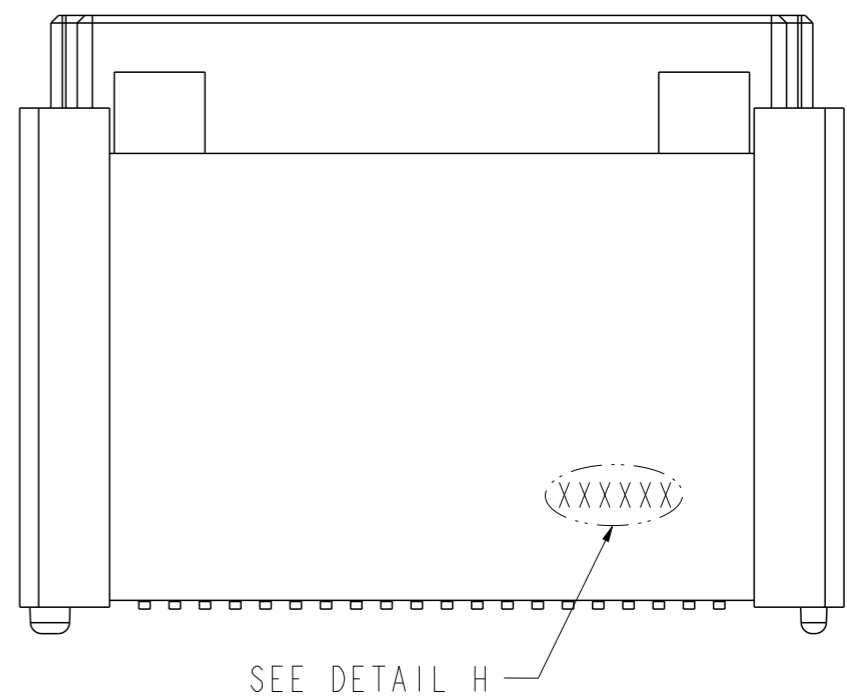
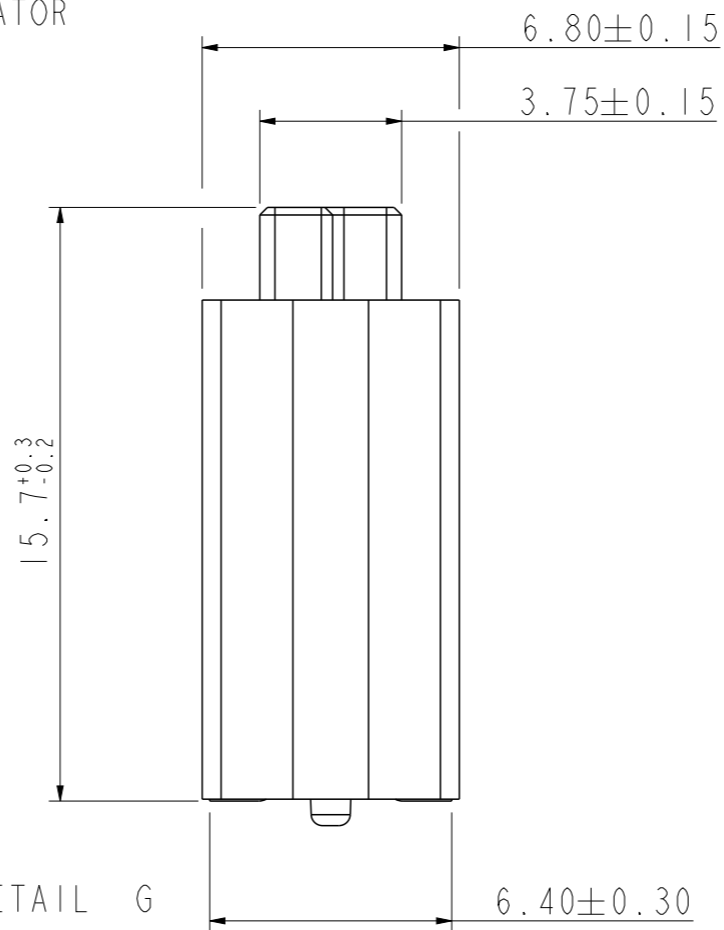
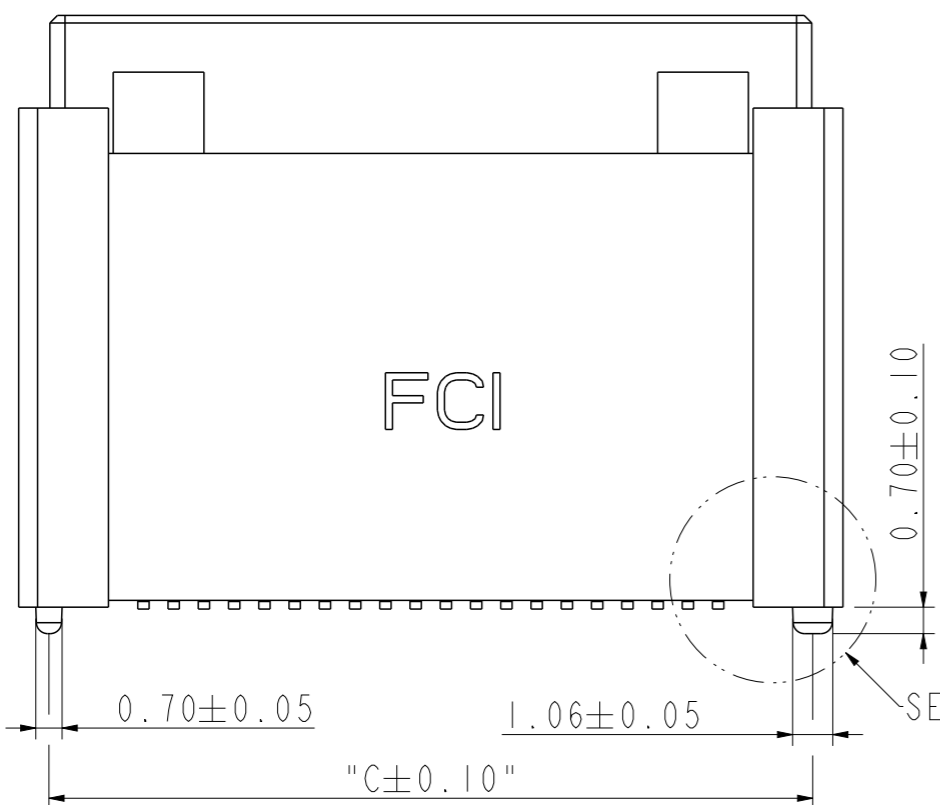
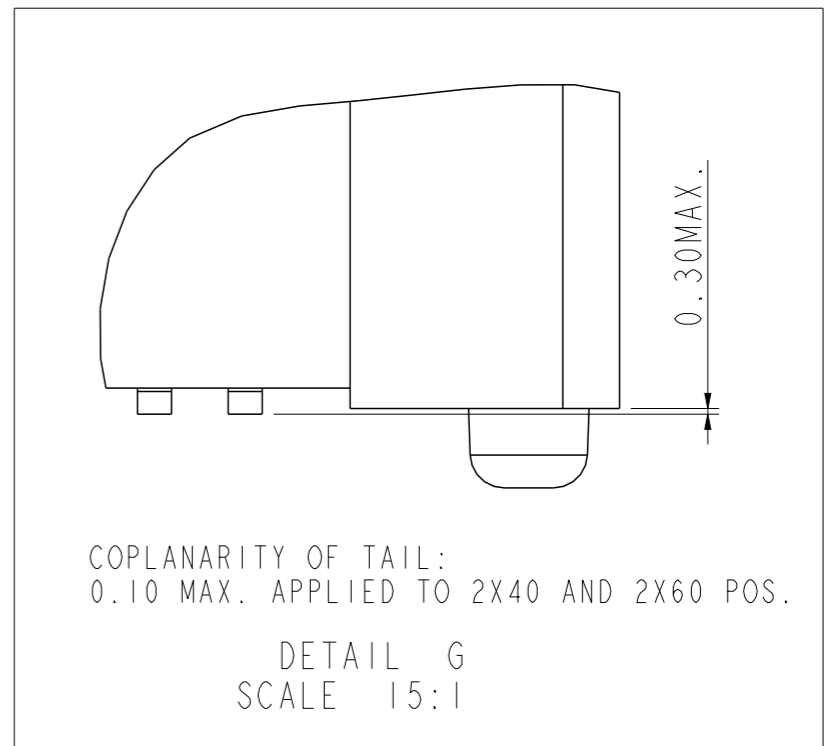
spec ref	-	dr	Eric Huang	2016/08/02	projection	mm	size	A3	scale	4:1
tolerance std	ISO 406 ISO 1101	eng	Bob Gu	2019/01/07			ecn no	ELX-N-30964-1	rel level	Released
TOLERANCES UNLESS OTHERWISE SPECIFIED		chr	-	-			product family	-	rel level	Released
surface	linear	0.X	±0.3	<b>Amphenol FCI</b>	BERGSTAK+ 0.8mm		dwg no 10139781	rev		E
		0.XX	±0.15		RECEPTACLE CONN					
	angular	0°	±2°		cat. no.	-		Product - Customer Drw	sheet 5 of 7	

PRODUCT NO.	NUMBER OF POSITIONS	DIMENSION		
		A	B	C
10139781-084*****	2X40	31.2	37.8	36.2
10139781-124*****	2X60	47.2	53.8	52.2



DATE CODE: XXXXXX  
 DAY(01~31)  
 MONTH(01~12)  
 YEAR(00~99)

DETAIL H  
 SCALE 5:1

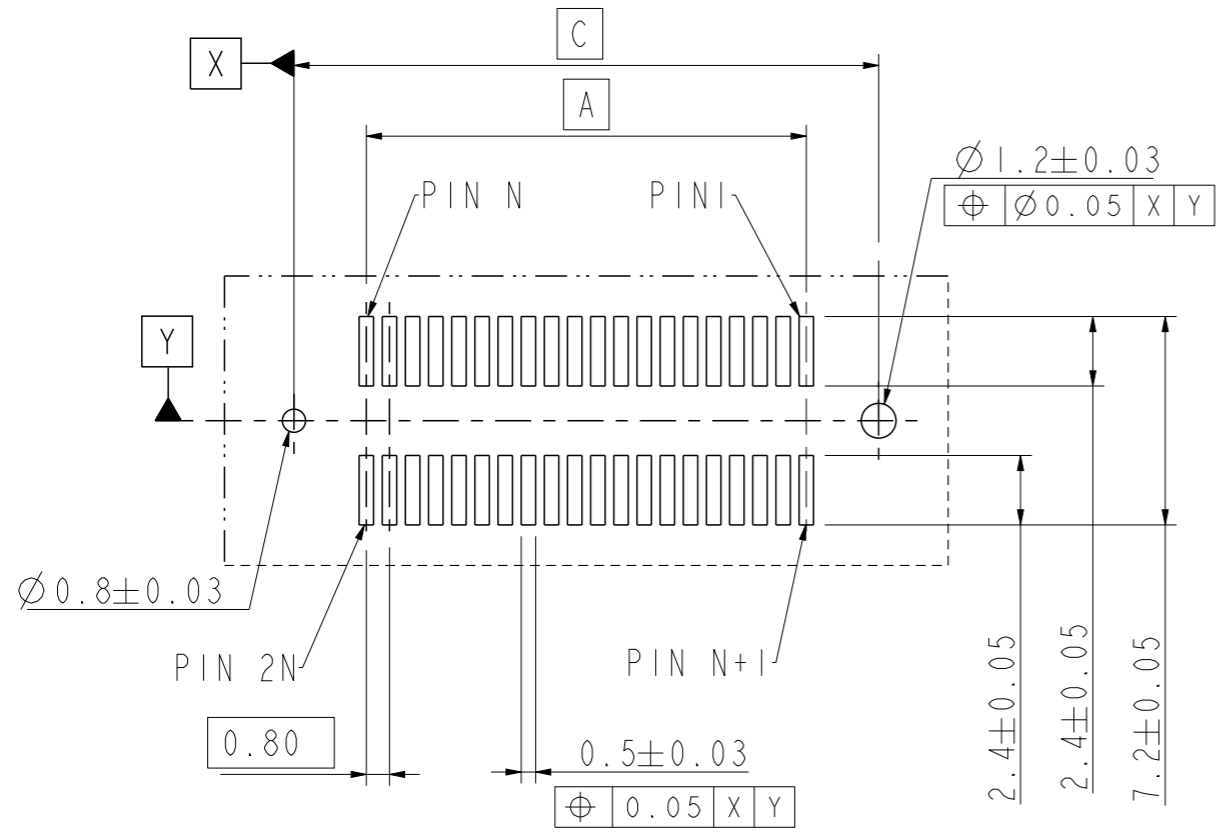


spec ref	-	dr	Eric Huang	2016/08/02	projection	mm	size	A3	scale	5:1
tolerance std	ISO 406 ISO 1101	eng	Bob Gu	2019/01/07			ecn no	ELX-N-30964-1		
TOLERANCES UNLESS OTHERWISE SPECIFIED		chr	-	-			rel level	Released		
surface	linear	0.X	±0.3	<b>Amphenol FCI</b>	product family	-	BERGSTAK+ 0.8mm	dwg no	10139781	
		0.XX	±0.15		RECEPTACLE CONN	rev	E			
	angular	0°	±2°		cat. no.	-	Product - Customer Drw	sheet 6 of 7		

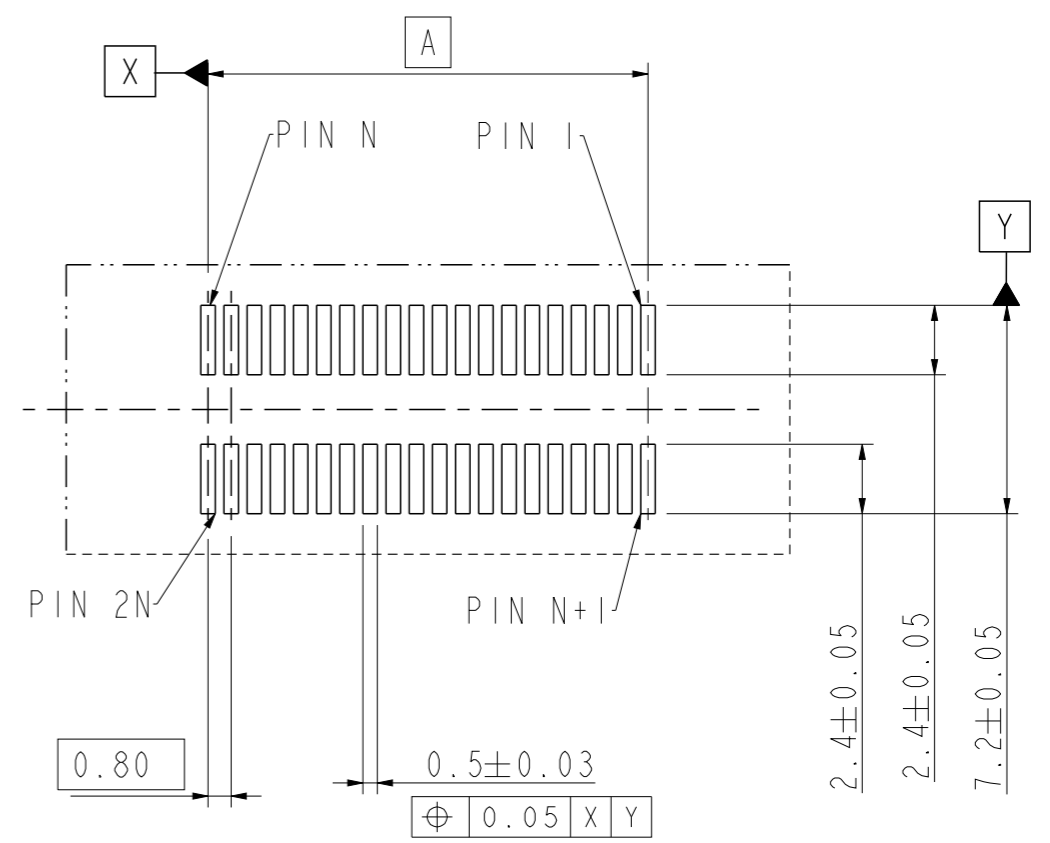
Amphenol FCI

© 2016 AFCI

RECEPTACLE 2 & 3 & 4



RECOMMENDED PCB LAYOUT WITH PEGS  
FOR NO. OF POSITION 2X40, ,2X60



RECOMMENDED PCB LAYOUT WITHOUT PEGS  
FOR NO. OF POSITION 2X40, ,2X60

Amphenol  
FCi

© 2016 AFCI

spec ref	-			dr	Eric Huang	2016/08/02	projection	mm		size	A3	scale	1:1	
tolerance std	ISO 406 ISO 1101			eng	Bob Gu	2019/01/07				ecn no			ELX-N-30964-1	
TOLERANCES UNLESS OTHERWISE SPECIFIED			chr	-	-	rel level				Released				
surface		linear	0.X	±0.3		product family			-	dwg no 10139781	rev		E	
				0.XX		±0.15	BERGSTAK+ 0.8mm							
		angular	0°	±2°		RECEPTACLE CONN					cat. no.		-	Product - Customer Drw