

PRODUCT NUMBER
20020006-XXXXXXLF

20020006 — □ □ □ □ □ ○ □ L F

PITCH
G: 5.00 mm
H: 5.08 mm

POLES
02: 2 POLES
03: 3 POLES
04: 4 POLES
—
24: 24 POLES

LF : DENOTED RoHS COMPATIBLE

1 : STANDARD PRODUCT W/ BOX PACKING

PROPERTY TABLE			
FCI SERIES NAME		01-500	01-508
PITCH (mm)		5.00	5.08
VOLTAGE RATING (VAC)		300	300
CURRENT RATING (A)		12	12
APPLICABLE WIRE RANGE (AWG)	1-WIRE	12~24	12~24
	2-WIRE	18	18
WIRE CROSS SECTION (mm ²)	SOLID	1-WIRE	2.5
		2-WIRE	1.0
	STRANDED	1-WIRE	2.5
		2-WIRE	1.5
OPENING CONTACT HOUSING(mm ²)		2.6x3.2	2.6x3.2
WIRE STRIP LENGTH(mm)		7~8	7~8
TORQUE +/-10% (N-m/Lb-in)		0.57/5.0	0.57/5.0
SCREW		M3x0.5	M3x0.5
WITHSTANDING VOLTAGE (kV)		1.6	1.6
OPERATING TEMP. (°C)		-40~+115	-40~+115
POLES AVAILABLE		02~24	02~24
SAFETY CERTIFICATE			

HOUSING CODE

CODE	COLOR	AVAILABILITY
1	GREEN(RAL 6018/T)	STANDARD
2	BLACK	ON REQUEST ONLY
3	GREY(RAL 7004/P)	ON REQUEST ONLY
4	BLUE(RAL 5015/A)	ON REQUEST ONLY

SCREW CODE

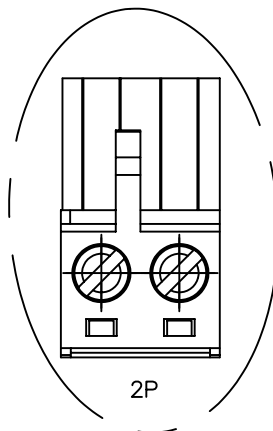
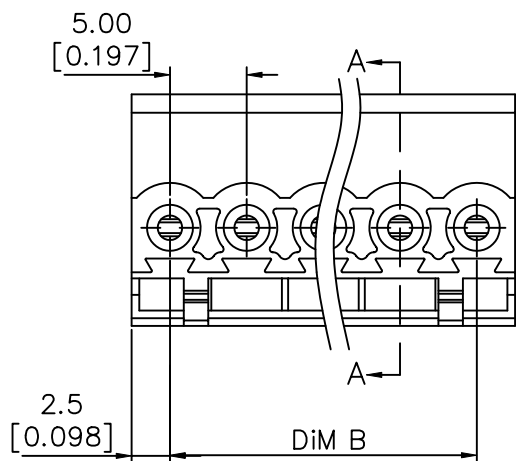
CODE	SCREW TYPE	AVAILABILITY
A	-/+	ON REQUEST ONLY
B	-	STANDARD

- NOTES:
- MATERIALS
1-1 HOUSING: THERMALPLASTIC RESIN, UL 94V-0 RATED.
1-2 SCREW: STEEL, ZINC PLATED.
1-3 CLAMP: COPPER ALLOY, NICKEL PLATED.
1-4 TERMINAL: COPPER ALLOY, TIN PLATED.
 - PRODUCTION SPECIFICATION REFER TO FCI GS-12-625.
 - BOXED PACKAGING.
DETAILED PRODUCT PACKING SPECIFICATION REFER TO FCI GS-14-1394.
 - FCI, SAFETY CERTIFICATE LOGO AND SERIES NAME TO BE SHOWN ON PRODUCT SURFACE.
 - THE PRODUCTS WHERE THE PART NUMBER END IN "LF" MEET THE EUROPEAN UNION DIRECTIVE AND OTHER COUNTRY REGULATIONS AS DESCRIBED IN GS-22-008.

mat'l. code				surface ASME Y14.5	tolerance ASME Y14.5	projection	product family
ltr	ecn no	dr	date	tolerances unless otherwise specified			TERMINAL BLOCK
A	DC09-0203	BF	062509	angles	X.±0.5	MM	title
B	T09-1148	BF	111709	to 1°	X.X±0.3	[INCH]	
C	T09-1152	BF	112609	X°±1'	X.XX±0.1	scale	TERMINAL BLOCK PLUGGABLE PLUG, CONTACT UP SIDE
D	T10-0042	WL	030310	dr	BEER FU	062509	sheet 1 of 3 size
E	T10-0127	WL	080910	enr	BEER FU	062509	20020006
F	T10-0159	WL	100410	chr	GARY HSIEH	062509	
G	T10-0187	WL	121410	appd	JOSEPH HSIA	062509	type
sheet	revision	G	G	G	G		CUSTOMER Drawing
index	sheet	1	2	3			

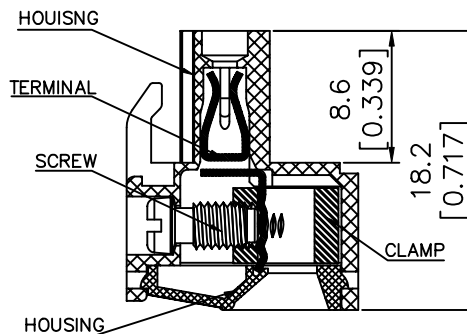
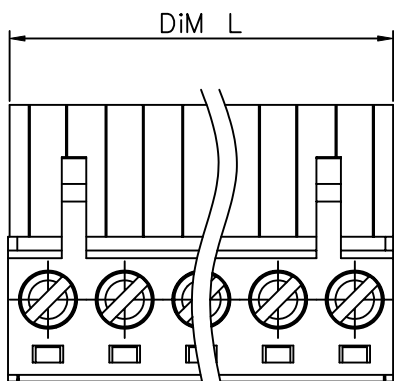


PRODUCT NUMBER	SERIES NAME	PITCH
20020006-GXXXXXLf	01-500	5.00 mm

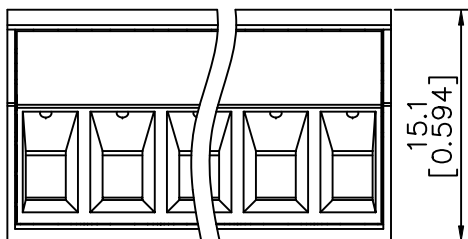


N = Number of poles
 Dim A = N x 5.0 [0.197]
 Dim B = (N - 1) x 5.0 [0.197]

TOL.	Dim A	Dim B
2-5p	±0.15 [0.006]	
6-10p	±0.20 [0.008]	
11-15p	±0.25 [0.010]	
16-20p	±0.30 [0.012]	
21-24p	±0.40 [0.016]	

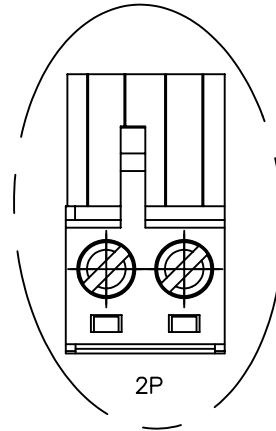
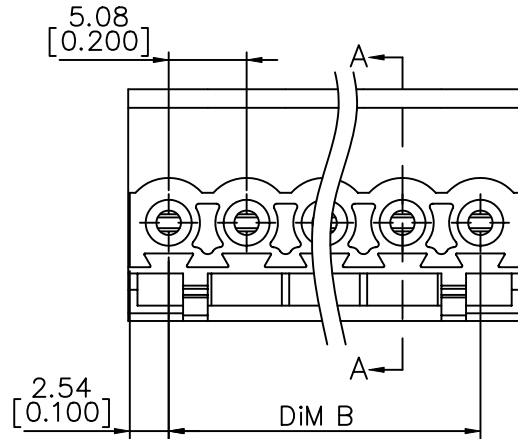


SECTION A-A



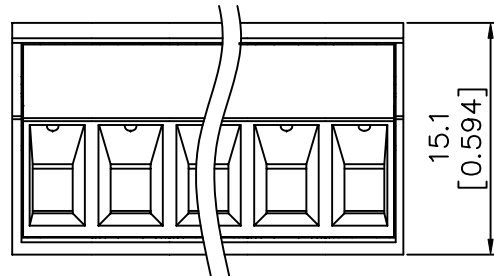
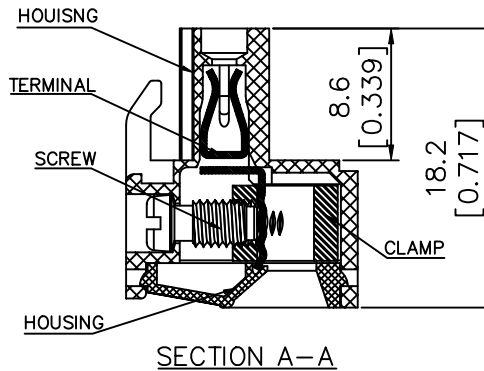
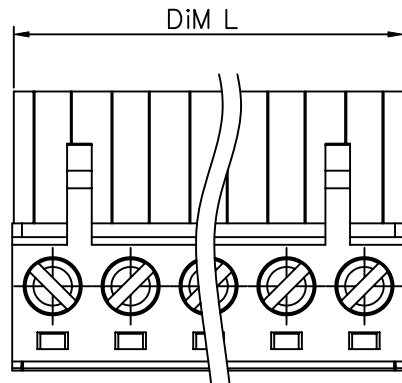
mat'l. code		surface ASME Y14.5 ✓	tolerance ASME Y14.5	projection 	product family TERMINAL BLOCK
ltr	ecn no	dr	date	title TERMINAL BLOCK PLUGGABLE PLUG, CONTACT UP SIDE	
g		angles X°±1'		scale MM [INCH]	dwg no 20020006
dr		BEER FU	062509		sheet 2 of 3 size A4
enr		BEER FU	062509		type CUSTOMER Drawing
chr		GARY HSIEH	062509		
appd		JOSEPH HSIA	062509		
sheet index	revision sheet				

PRODUCT NUMBER	SERIES NAME	PITCH
20020006-HXXXXXLF	01-508	5.08 mm



N = Number of poles
 Dim A = $N \times 5.08 [0.200]$
 Dim B = $(N-1) \times 5.08 [0.200]$

TOL.	Dim A	Dim B
2-5p	$\pm 0.15 [0.006]$	
6-10p	$\pm 0.20 [0.008]$	
11-15p	$\pm 0.25 [0.010]$	
16-20p	$\pm 0.30 [0.012]$	
21-24p	$\pm 0.40 [0.016]$	



mat'l. code	surface ASME Y14.5 ✓	tolerance ASME Y14.5	projection 	product family TERMINAL BLOCK	
ltr	ecn	no	dr	date	title
g					TERMINAL BLOCK PLUGGABLE PLUG, CONTACT UP SIDE
	angles	inlet			scale
	X°±1'	X.X±0.5			MM [INCH]
		X.X±0.3			
		X.XX±0.1			
dr	BEER FU	062509			dwg no
enr	BEER FU	062509			sheet 3 of 3
chr	GARY HSIEH	062509			20020006
appd	JOSEPH HSIA	062509			A4
sheet index	revision sheet				type
					CUSTOMER Drawing