

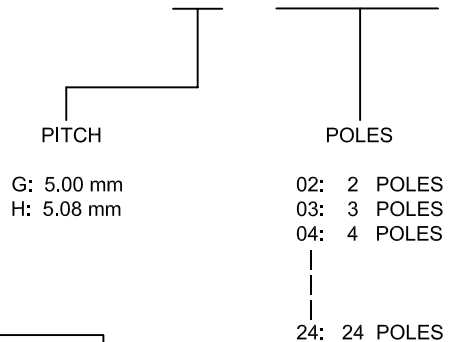
FCI CONFIDENTIAL



This document is the property of and embodies CONFIDENTIAL and PROPRIETARY information of FCI. No part of the information shown on this document may be used in any way or disclosed to others without the written consent of FCI. Copyright FCI.

PRODUCT NUMBER
20020316-XXX1B01LF

20020316 - [] [] [] 1 B 0 1 L F



PROPERTY TABLE		
FCI SERIES NAME	21-500	21-508
PITCH (mm)	5.00	5.08
VOLTAGE RATING (VAC)	300	300
CURRENT RATING (A)	16	16
SOLID/STRANDED WIRE (AWG)	12~28	12~28
WIRE CROSS SECTION (mm*mm)	4.0~0.14	4.0~0.14
WIRE STRIP LENGTH(mm)	6~7	6~7
TORQUE (N-m/Lb-in)	0.40/3.5	0.40/3.5
SCREW	M3	M3
WITHSTANDING VOLTAGE (kV)	1.6	1.6
OPERATING TEMP. (°C)	-40~115	-40~115
SOLDERING TEMP. (°C)	250±10 (5 sec.)	250±10 (5 sec.)
POLES AVAILABLE	02~24	02~24
SAFETY CERTIFICATE	Pending	

- NOTES:
- MATERIALS
1-1 HOUSING: THERMALPLASTIC RESIN, UL 94V-0 RATED, COLOR GREEN.
1-2 SCREW: STEEL, ZINC PLATED.
1-3 CLAMP: BRASS, NICKEL PLATED.
1-4 TERMINAL: BRASS, TIN PLATED.
 - PRODUCT SPECIFICATION REFER TO FCI GS-12-625.
 - BOXED PACKAGING,
DETAILED PRODUCT PACKING SPECIFICATION REFER TO FCI GS-14-1394.
 - FCI, SAFETY CERTIFICATE LOGO AND SERIES NAME TO BE SHOWN ON PRODUCT SURFACE.

rev	ecn no	dr	date
A	DG09-0203	BF	062509
B	T09-1148	BF	111709
C	T09-1152	BF	112609

TOLERANCES UNLESS OTHERWISE SPECIFIED			
LINEAR	X	±0.5	-
	X.X	±0.30	-
	X.XX	±0.10	-
ANGULAR	X°	±1°	-

Material	Spec ref *		tolerance	projection	MM
Mat code	✓				
Heat treat					
Plating/Finish					
Dr	BEER FU	062509		size	A4
Eng	BEER FU	062509		Product family	Scale
Chr	GARY HSIEH	062509		Model Name	ECN T09-1152
Appr	JOSEPH HSIA	062509		Model Revision	REL Level RELEASED
	title	TERMINAL BLOCK		chg no	20020316
		Fixed horizontal			Rev. C
Pro/E file	catalog no	CUSTOMER		sheet 1 of 3	

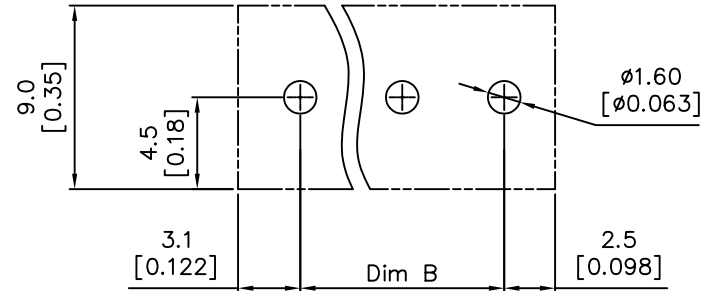
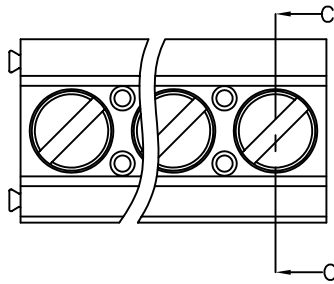
REV F: 2008-04-17

FCI CONFIDENTIAL

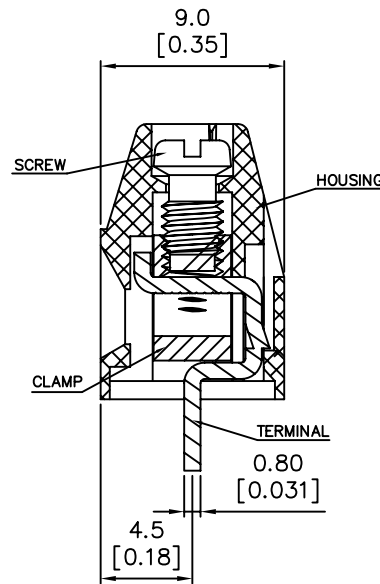
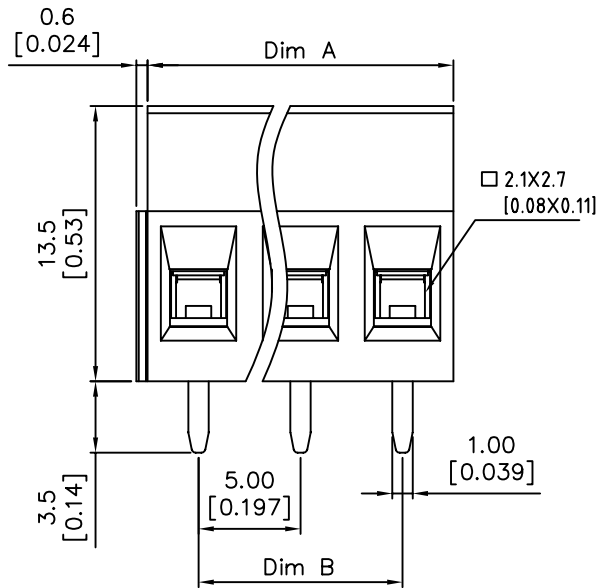


This document is the property of and embodies CONFIDENTIAL and PROPRIETARY information of FCI. No part of the information shown on this document may be used in any way or disclosed to others without the written consent of FCI. Copyright FCI.

PRODUCT NUMBER	SERIES NAME	PITCH
20020316-GXX1B01LF	21-500	5.00 mm



P.C.B LAYOUT



SECTION C-C

N = Number of poles
 Dim A = N * 5.0 [0.197]
 Dim B = (N - 1) * 5.0 [0.197]

TOL.	Dim A	Dim B
2-6p	±0.15 [0.006]	
7-12p	±0.25 [0.010]	
13-16p	±0.35 [0.014]	
17-24p	±0.40 [0.016]	

Material		Spec ref	
Mat code		✓	tolerance
Heattreat			projection
Plating/Finish			MM
Dr	BEER FU	062509	size
Eng	BEER FU	062509	A4
Chr	GARY HSIEH	062509	Product family
Appr	JOSEPH HSIA	062509	Model Name
		ECN T09-1152	
		Model Revision	
		REL Level RELEASED	
FCI	title		chng no
	TERMINAL BLOCK		
		Rev. C	
Pro/E file	catalog no		CUSTOMER
		sheet 2 of 3	

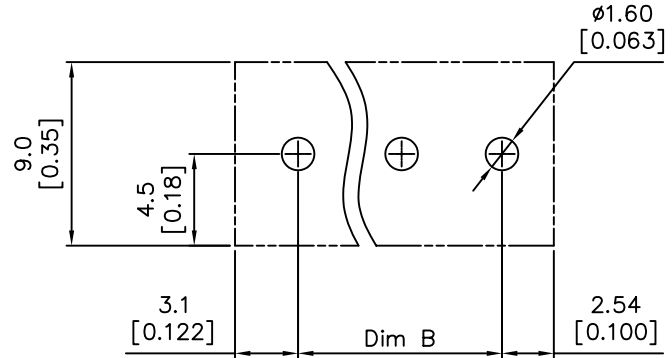
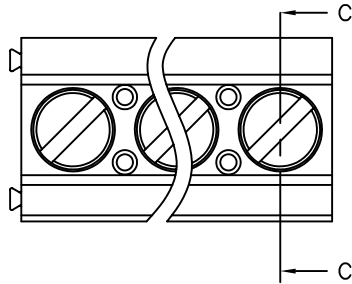
REV F: 2008-04-17

FCI CONFIDENTIAL

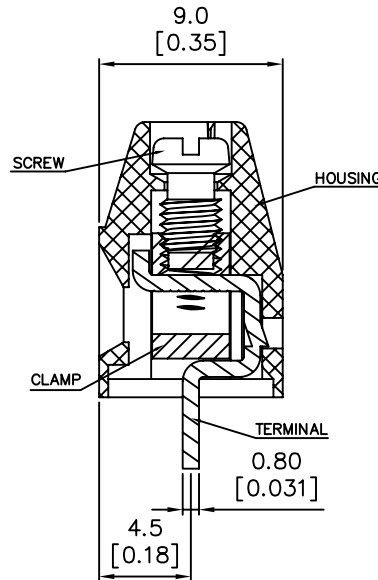
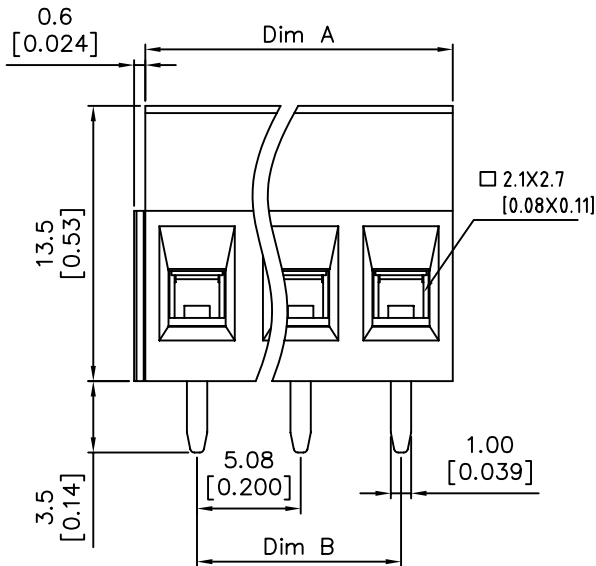


This document is the property of and embodies CONFIDENTIAL and PROPRIETARY information of FCI. No part of the information shown on this document may be used in any way or disclosed to others without the written consent of FCI. Copyright FCI.

PRODUCT NUMBER	SERIES NAME	PITCH
20020316-HXX1B01LF	21-508	5.08 mm



P.C.B LAYOUT



SECTION C-C

N = Number of poles
 Dim A = N * 5.08 [0.200]
 Dim B = (N - 1) * 5.08 [0.200]

TOL.	Dim A	Dim B
2-6p	±0.15 [0.006]	
7-12p	±0.25 [0.010]	
13-16p	±0.35 [0.014]	
17-24p	±0.40 [0.016]	

Material		Spec ref		
Mat code		✓	tolerance	projection
Heattreat				MM
Plating/Finish				←→
Dr	BEER FU 062509		size	A4
Eng	BEER FU 062509	Product family		Scale
Chr	GARY HSIEH 062509	Model Name		ECN T09-1152
Appr	JOSEPH HSIA 062509	Model Revision		REL Level RELEASED
FCI		title		Rev.
terminal BLOCK		Fixed horizontal		C
Pro/E file		catalog no	CUSTOMER	sheet 3 of 3
		chg no	20020316	

REV F: 2008-04-17