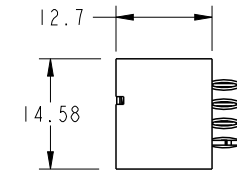
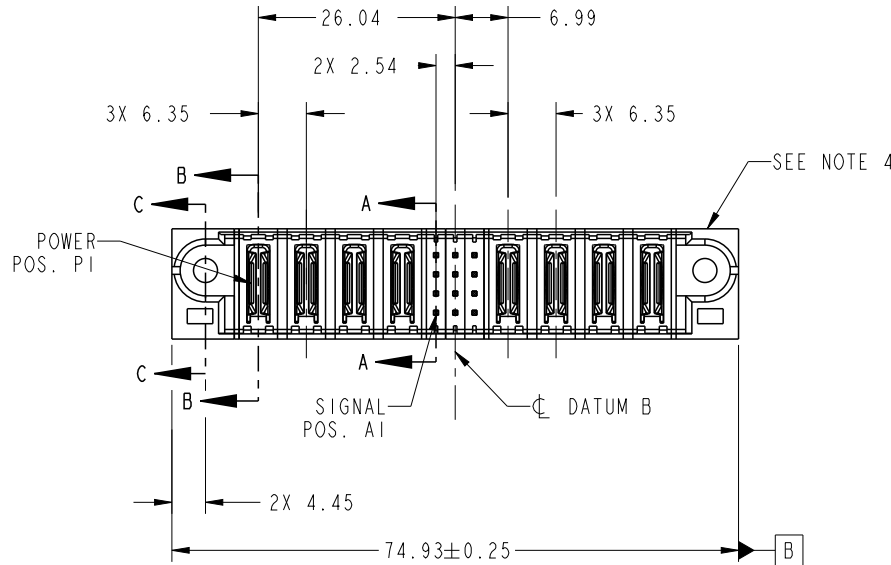


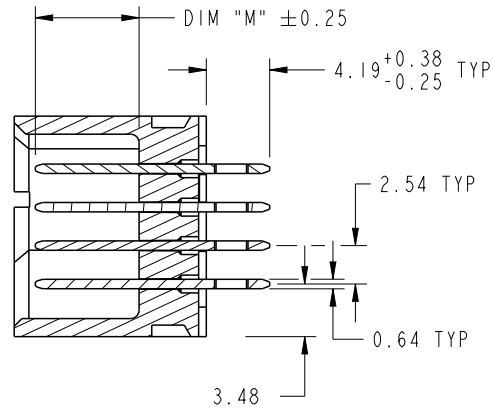
PRODUCT NO.	ROWS	POWER				SIGNAL			POWER				E2
		E1	P1	P2	P3	P4	1	2	3	P5	P6	P7	
51710-032AU50 NOTE ③	D C B A												



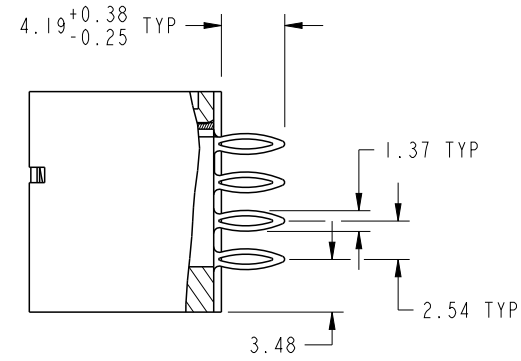
CODE	DIM "M" MATING LENGTH	CONTACT TYPE
PC	[N/A]	POWER
HA	[N/A]	HOLD-DOWN
G	[6.86]	SIGNAL

spec ref	Plating Spec:10064183dr		NotFound DuWa	2008/09/11	projection 	MM ←→	size	A4	scale	1:1				
tolerance std	TOLERANCES UNLESS OTHERWISE SPECIFIED		eng	Ruan MT			2013/08/20	ecn no	ELX-DG-15542-1					
			chr	-			-	rel level	Released					
surface	linear	0.X	±0.5		title	4P + 12S + 4P	www.fci.com	cat. no.	&model_name	Product - Customer Drw	sheet 1 of 4			
	0.XX	±0.25	dwg no									51710-032AU50	rev	B
	0.XXX	±0.1												
	angular	0°	±2°											

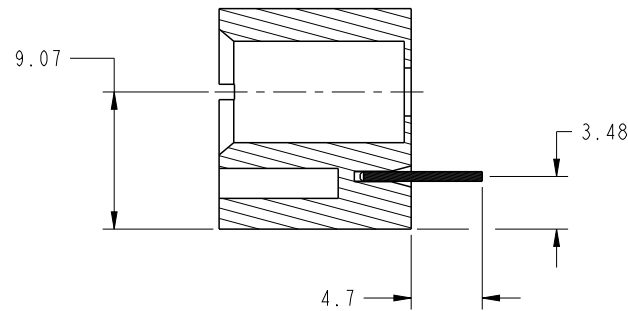
PRODUCT NUMBER
51710-032AU50
NOTE 3



SECTION A-A
SCALE 2:1



SECTION B-B
SCALE 2:1

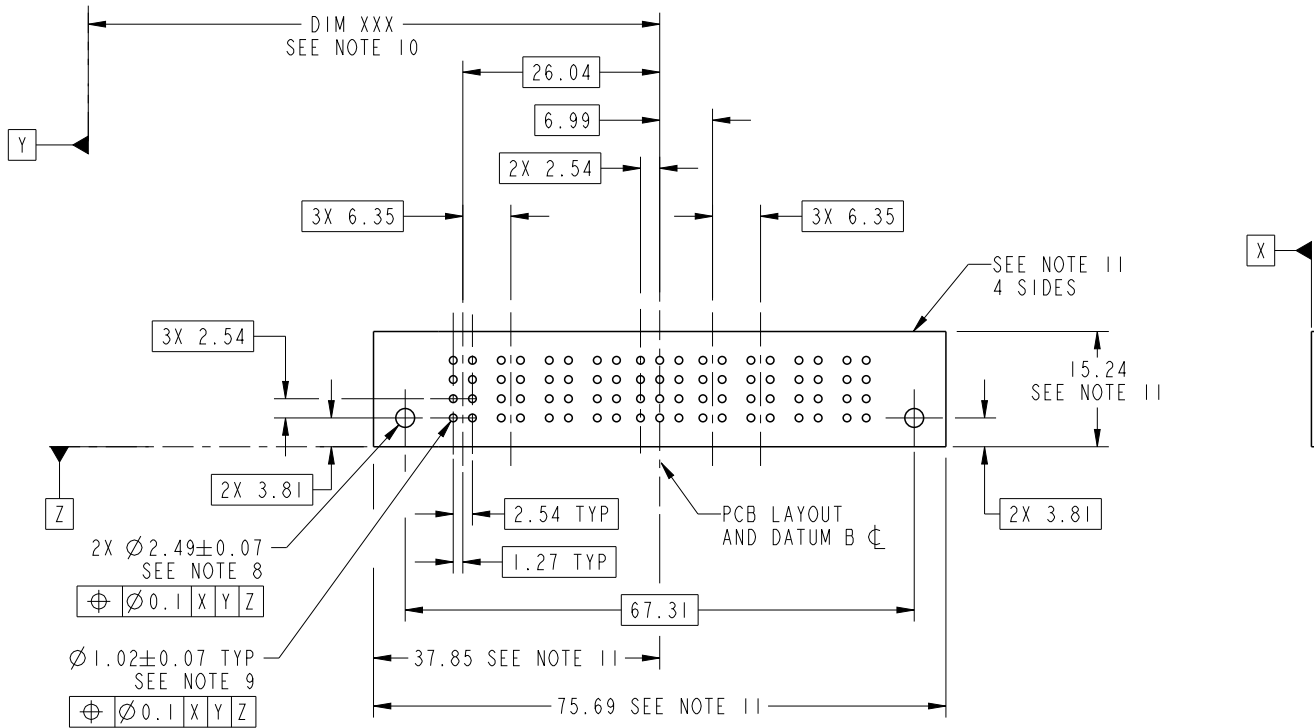


SECTION C-C
SCALE 2:1

dr	NotFound DuWa	2008/09/11	projection 	MM ←→	size	A4	scale	1:1
eng	Ruan MT	2013/08/20			ecn no	ELX-DG-15542-1		
chr	-	-			product family	PwrBlade	rel level	Released
appr	Pei-Ming Zheng	2013/08/22			title 4P + 12S + 4P VERTICAL PRESSFIT HEADER	dwg no 51710-032AU50	rev B	www.fci.com
cat. no.		&model_name		Product - Customer Drw			sheet 2 of 4	

PRODUCT NUMBER

51710-032AU50
NOTE 3




RECOMMENDED PCB LAYOUT

dr	NotFound DuWa	2008/09/11	projection 	MM 	size	A4	scale	1:1	
eng	Ruan MT	2013/08/20			ecn no	ELX-DG-15542-1			
chr	-	-			product family	PwrBlade	rel level	Released	
appr	Pei-Ming Zheng	2013/08/22			title	4P + 12S + 4P		rev	B
					dwg no	51710-032AU50			
www.fci.com			cat. no.	&model_name	Product - Customer Drw			sheet 3 of 4	

NOTES:

1. DIMENSIONS AND TOLERANCES ARE IN ACCORDANCE WITH ASME Y14.5M, 1994 UNLESS OTHERWISE SPECIFIED.

12. FOR PRESS FIT APPLICATION USE FCI CAM TOOL 430169-XXX.
 13. A  SYMBOL WILL BE NEXT TO ANY DIMENSION, VIEW, OR NOTE WHICH HAS BEEN MODIFIED WITH THE CURRENT DRAWING REVISION.

CONNECTOR NOTES:

② HOUSING MATERIAL: UL 94 V-0 GLASS FILLED HIGH-TEMP THERMOPLASTIC

POWER CONTACT MATERIAL: COPPER ALLOY
 SIGNAL PIN MATERIAL: COPPER ALLOY

3. PLATING:

51710-032AU50
 Signal Pin: 50u"/1.27um Au OVER 50u"/1.27um Ni ON THE CONTACT AREA.
 AND 100u"/2.54um SnPb PLATING OVER 50u"/1.27um Ni ON THE TERMINATION SECTION.
 Power Pin: 50u"/1.27um Au OVER 50u"/1.27um Ni ON THE CONTACT AREA.
 AND 100u"/2.54um SnPb PLATING OVER 50u"/1.27um Ni ON THE TERMINATION SECTION.



51710-032AU50LF
 Signal Pin: 50u"/1.27um Au OVER 50u"/1.27um Ni ON THE CONTACT AREA.
 AND 78u"/2.00um Sn PLATING OVER 50u"/1.27um Ni ON THE TERMINATION SECTION.
 Power Pin: 50u"/1.27um Au OVER 50u"/1.27um Ni ON THE CONTACT AREA.
 AND 78u"/2.00um Sn PLATING OVER 50u"/1.27um Ni ON THE TERMINATION SECTION.

④ MANUFACTURER'S NAME, P/N, AND DATE CODE TO APPEAR ON THIS SURFACE.

5. PRODUCT SPECIFICATION GS-12-149.
 APPLICATION SPECIFICATION BUS-20-067.

6. PACKAGED IN TRAYS.

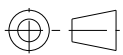

PCB NOTES:

7. ALL HOLE DIAMETERS ARE FINISHED HOLE SIZE.
 8. MOUNTING HOLES, WHERE APPLICABLE, ARE UNPLATED.

⑨ $\varnothing 1.151 \pm 0.025$ DRILLED HOLES PLATED WITH
 0.008 MIN SnPb OR Sn OVER .001 [0.03]
 TO 0.08 Cu PLATING TO ACHIEVE
 $\varnothing 1.02 \pm .07$ HOLE.

⑩ "DIM XXX" TO BE DETERMINED BY THE CUSTOMER.

⑪ CONNECTOR KEEP-OUT ZONE.

dr	NotFound DuWa	2008/09/11	projection 	MM 	size	A4	scale	1:1
eng	Ruan MT	2013/08/20			ecn no	ELX-DG-15542-1		
chr	-	-			product family	PwrBlade	rel level	Released
appr	Pei-Ming Zheng	2013/08/22	FCj		title	4P + 12S + 4P		rev
www.fci.com			VERTICAL PRESSFIT HEADER		dwg no	51710-032AU50		B
cat. no.		&model_name	Product - Customer Drw			sheet 4 of 4		