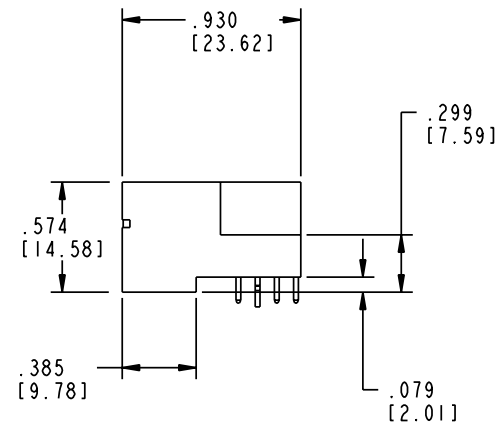
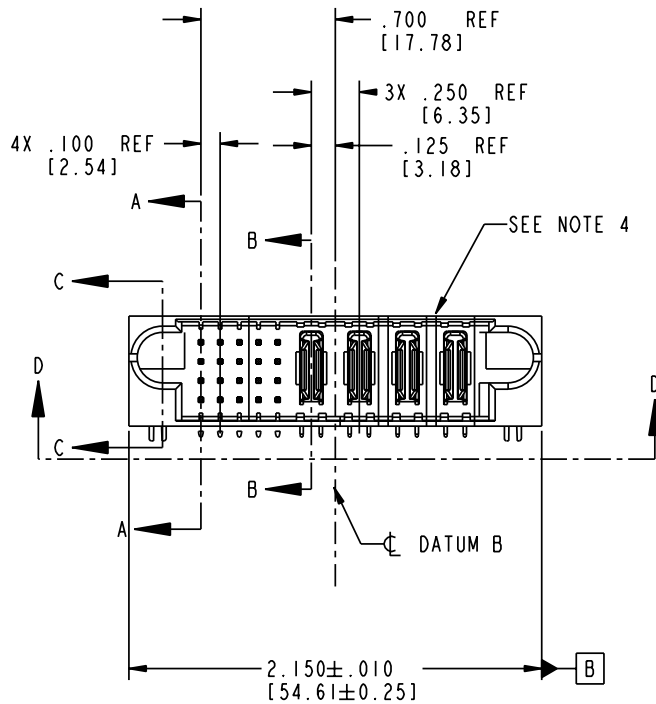
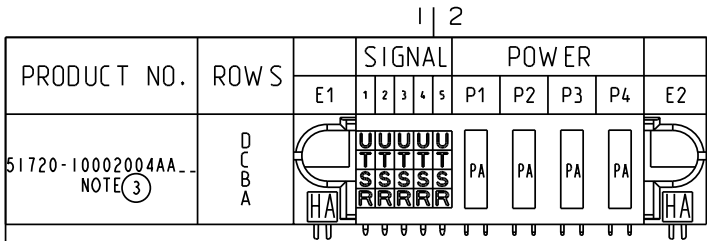


Tous droits strictement réservés. Reproduction ou communication a des tiers interdite sous quelque forme que ce soit sans autorisation écrite du propriétaire. Propriété de c FCI. Droits de reproduction FCI.

All rights strictly reserved. Reproduction or issue to third parties in any form whatever is not permitted without written authority from the proprietor. Property of FCI. Copyright FCI.

**FCI**



| CODE | DIM "M" MATING LENGTH | CONTACT TYPE |
|------|-----------------------|--------------|
| R    | .270 [6.86]           | SIGNAL       |
| S    | .270 [6.86]           | SIGNAL       |
| T    | .270 [6.86]           | SIGNAL       |
| U    | .270 [6.86]           | SIGNAL       |
| PA   | N/A [N/A]             | POWER        |
| HA   | N/A [N/A]             | HOLD-DOWN    |

| mat'l code |           |    |          | tolerances unless otherwise specified |        |             |          |
|------------|-----------|----|----------|---------------------------------------|--------|-------------|----------|
| lfr        | ecn no.   | dr | date     | linear                                | angles | dr          | enrg     |
| A          | DG05-0064 | SW | 04/06/05 | .XX±.01/0.X±0.3                       | 0°±2°  | STEVEN WANG | 04/06/05 |
|            |           |    |          | .XXX±.005/0.XX±0.13                   |        | STEVEN WANG | 04/06/05 |
|            |           |    |          | .XXX±.0020/0.XXX±0.051                |        | VICTOR LIN  | 04/06/05 |
|            |           |    |          |                                       |        | JOSEPH HSIA | 04/06/05 |

| CUSTOMER |            |
|----------|------------|
| COPY     | projection |
| INCH/MM  | scale      |
| 1:1      |            |

| FCI                       |                  | www.fciconnect.com |  |
|---------------------------|------------------|--------------------|--|
| title                     |                  |                    |  |
| 20S + 4P                  |                  |                    |  |
| RIGHT ANGLE SOLDER HEADER |                  |                    |  |
| product family            |                  | PwrBlade           |  |
| size                      | dwg no           | code               |  |
| A                         | 51720-10002004AA | 213                |  |
|                           |                  | sheet              |  |
|                           |                  | 1 of 4             |  |

| sheet index | revision sheet | A | A | A | A |
|-------------|----------------|---|---|---|---|
|             | 1              | 2 | 3 | 4 |   |

Pro/E

PDM: Rev: A

STAT: Released

Printed: Aug 12, 2007

Tous droits strictement réservés. Reproduction ou communication a des tiers interdite sous quelque forme que ce soit sans autorisation écrite du propriétaire. Propriété de c FCI. Droits de reproduction FCI.

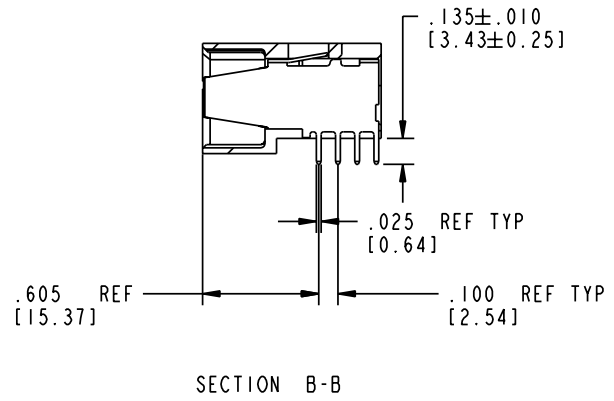
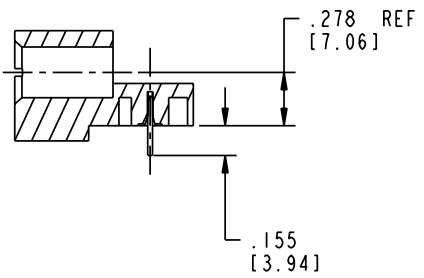
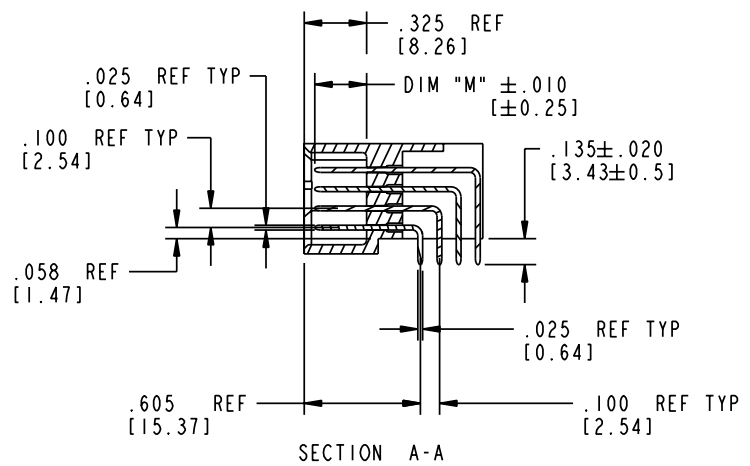
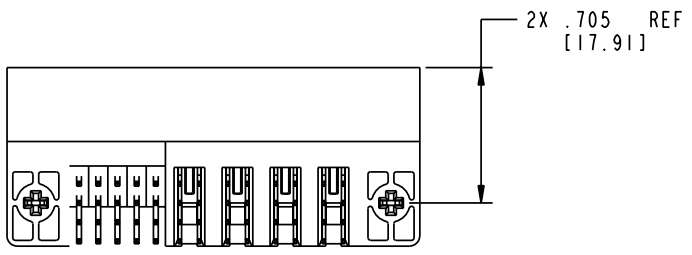
All rights strictly reserved. Reproduction or issue to third parties in any form whatever is not permitted without written authority from the proprietor. Property of FCI. Copyright FCI.

**A**  
**FCI**

A

B

PRODUCT NUMBER  
**51720-10002004AA...**  
NOTE (3)



|             |                |            |      |                                       |                        |          |  |   |  |
|-------------|----------------|------------|------|---------------------------------------|------------------------|----------|--|---|--|
| mat'l code  |                | SEE NOTE 2 |      | tolerances unless otherwise specified |                        | CUSTOMER |  | <br>www.fciconnect.com                              |  |
| lfr         | ecn no.        | dr         | date | linear                                | .XX±.01/0.X±0.3        | COPY     |  | title   |  |
| A           |                |            |      | projection                            | .XXX±.005/0.XX±0.13    |          |  | <b>20S + 4P</b><br><b>RIGHT ANGLE SOLDER HEADER</b> |  |
|             |                |            |      | angles                                | .XXX±.0020/0.XXX±0.051 | INCH/MM  |  | product family                                      |  |
|             |                |            |      | dr                                    | 0°±2°                  | scale    |  | PwrBlade  |  |
|             |                |            |      | engr                                  | STEVEN WANG 04/06/05   | 1:1      |  | code  |  |
|             |                |            |      | chr                                   | STEVEN WANG 04/06/05   |          |  | 213   |  |
|             |                |            |      | appd                                  | VICTOR LIN 04/06/05    |          |  | sheet   |  |
|             |                |            |      |                                       | JOSEPH HSIA 04/06/05   |          |  | 2 of 4  |  |
| sheet index | revision sheet |            |      |                                       |                        |          |  | size<br><b>51720-10002004AA</b>                     |  |

Pro/E

PDM: Rev: A

STAT: ~~Released~~ **23526**

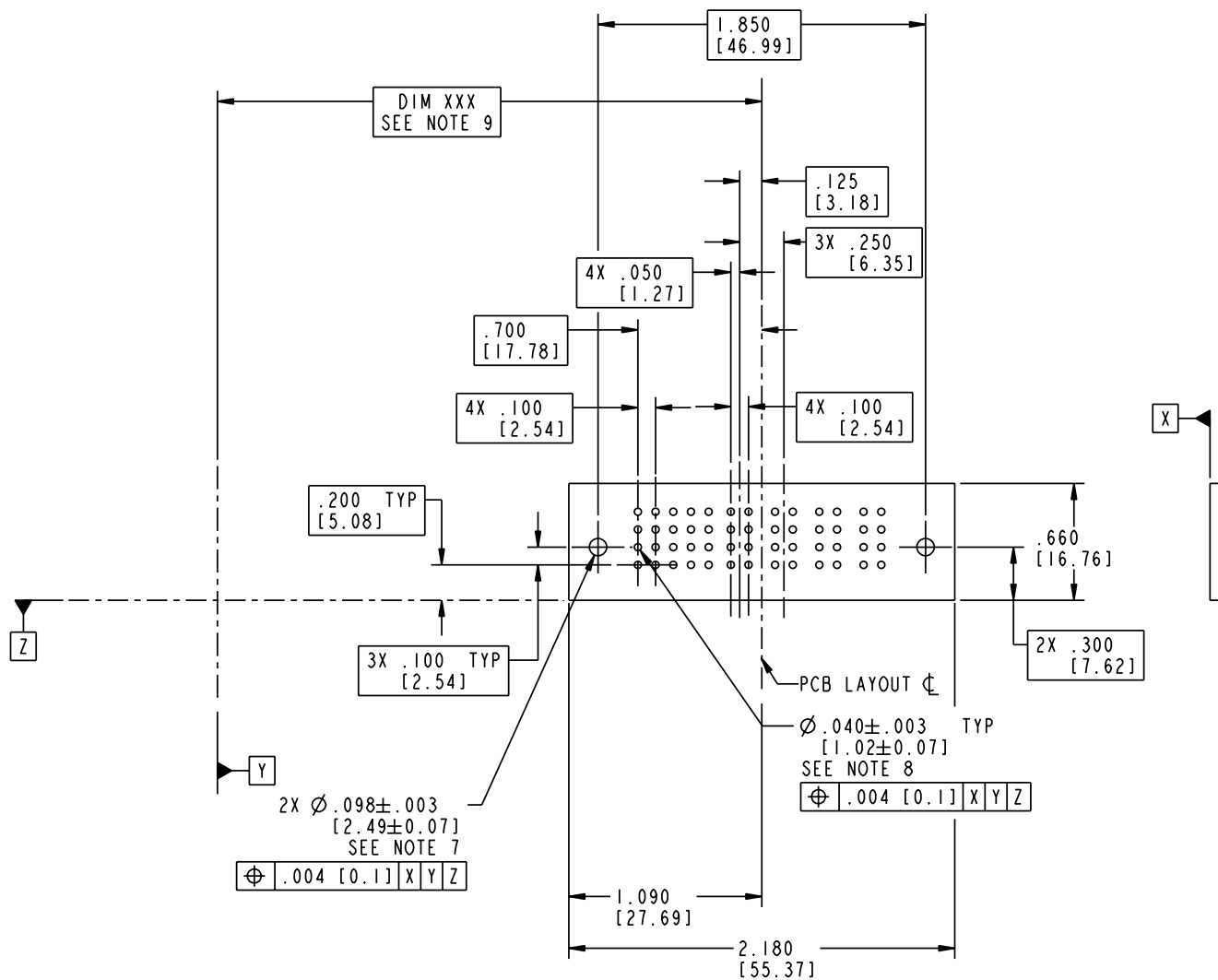
Printed: Aug 12, 2007

Tous droits strictement réservés. Reproduction ou communication a des tiers interdite sous quelque forme que ce soit sans autorisation écrite du propriétaire. Propriété de c FCI. Droits de reproduction FCI.

All rights strictly reserved. Reproduction or issue to third parties in any form whatever is not permitted without written authority from the proprietor. Property of FCI. Copyright FCI.

**FCI**

PRODUCT NUMBER  
**51720-10002004AA**  
 NOTE ③



RECOMMENDED PCB LAYOUT

|             |                |            |      |                                       |                        |            |   |                        |        |
|-------------|----------------|------------|------|---------------------------------------|------------------------|------------|---|------------------------|--------|
| mat'l code  |                | SEE NOTE 2 |      | tolerances unless otherwise specified |                        | CUSTOMER   |   | <br>www.fciconnect.com |        |
| lfr         | ecn no.        | dr         | date | linear                                | .XX±.01/0.X±0.3        | COPY       | title   |                        |        |
| A           |                |            |      |                                       | .XXX±.005/0.XX±0.13    | projection | <b>20S + 4P</b><br><b>RIGHT ANGLE SOLDER HEADER</b> |                        |        |
|             |                |            |      | angles                                | .XXX±.0020/0.XXX±0.051 |            | product family                                      |                        |        |
|             |                |            |      | dr                                    | 0°±2°                  | INCH/MM    | PwrBlade  |                        | code   |
|             |                |            |      | enr                                   | STEVEN WANG 04/06/05   | scale      | size  | dwg no                 | 213    |
|             |                |            |      | chr                                   | STEVEN WANG 04/06/05   | 1:1        | <b>51720-10002004AA</b>                             |                        | sheet  |
|             |                |            |      | appd                                  | VICTOR LIN 04/06/05    |            |   |                        | 3 of 4 |
|             |                |            |      |                                       | JOSEPH HSIA 04/06/05   |            |   |                        |        |
| sheet index | revision sheet |            |      |                                       |                        |            |   |                        |        |

Pro/E

PDM: Rev: A

STAT: **Released**

Printed: Aug 12, 2007

PRODUCT NUMBER  
**51720-10002004AA**  
 NOTE ③

NOTES:

1. DIMENSIONS AND TOLERANCES ARE IN ACCORDANCE WITH ASME Y14.5M, 1994 UNLESS OTHERWISE SPECIFIED.

CONNECTORS NOTES:

2. HOUSING MATERIAL: UL 94 V-0 GLASS FILLED HIGH TEMP THERMO PLASTIC  
 POWER CONTACT MATERIAL: COPPER ALLOY  
 SIGNAL PIN MATERIAL: COPPER ALLOY

3. PLATING:

51720-10002004AA Singal Pin:30u"/0.76um Au OVER 50u"/1.27um Ni ON THE WHOLE AREA.  
 Power Pin:30u"/0.76um Au OVER 50u"/1.27um Ni ON THE CONTACT AREA,  
 AND 100u"/2.54um SnPb PLATING OVER 50u"/1.27um Ni ON THE TERMINATION SECTION.

51720-10002004AALF Singal Pin:30u"/0.76um Au OVER 50u"/1.27um Ni ON THE WHOLE AREA.  
 Power Pin:30u"/0.76um Au OVER 50u"/1.27um Ni ON THE CONTACT AREA,  
 AND 78u"/2.00um Sn PLATING OVER 50u"/1.27um Ni ON THE TERMINATION SECTION.

PART NUMBER 51720-10002004AALF MEETS EUROPEAN UNION DIRECTIVE AND OTHER COUNTRY REGULATIONS AS DESCRIBED IN GS-22-008.


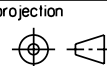
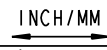
THE HOUSING WILL WITHSTAND EXPOSURE TO 260° PEAK TEMPERATURE FOR 10 SECONDS IN A WAVE SOLDER APPLICATION WITH A CIRCUIT BOARD.

4. "MANUFACTURER" NAME, P/N, AND DATE CODE TO APPEAR ON THIS SURFACE.

5. PRODUCT SPECIFICATION GS-12-149.

PCB - NOTES:

- 6. ALL HOLE DIAMETERS ARE FINISHED HOLE SIZE.
- 7. HOLD DOWN THROUGH HOLES ARE UNPLATED.
- 8.  $\varnothing .0453 \pm 0.0010$  [1.151  $\pm$  0.025] DRILLED HOLES PLATED WITH 0.0003 [0.008] MIN SnPb OVER .001 [0.03] TO .003 [0.08] Cu PLATING TO ACHIEVE  $\varnothing .040 \pm .003$  [1.02  $\pm$  .07] HOLE.
- 9. "DIM XXX" TO BE DETERMINED BY THE CUSTOMER.

|             |         |                |      |            |                        |                                       |  |          |  |   |        |
|-------------|---------|----------------|------|------------|------------------------|---------------------------------------|--|----------|--|---|--------|
| mat'l code  |         |                |      | SEE NOTE 2 |                        | tolerances unless otherwise specified |  | CUSTOMER |  | <br>www.fciconnect.com |        |
| lfr         | ecn no. | dr             | date | linear     | .XX±.01/0.X±0.3        |                                       | COPY   |          | <br>title <b>20S + 4P</b><br><b>RIGHT ANGLE SOLDER HEADER</b> |   |        |
| A           |         |                |      |            | .XXX±.005/0.XX±0.13    |                                       | projection   |          |  |   |        |
|             |         |                |      | angles     | .XXX±.0020/0.XXX±0.051 |                                       | <br>INCH/MM |          | product family PwrBlade code   |   |        |
|             |         |                |      |            | 0° ± 2°                |                                       |  |          | scale  |   | size   |
|             |         |                |      | dr         | STEVEN WANG            | 04/06/05                              | 1:1  |          | A  |   | 4 of 4 |
|             |         |                |      | enr        | STEVEN WANG            | 04/06/05                              |  |          | 51720-10002004AA   |   |        |
|             |         |                |      | chr        | VICTOR LIN             | 04/06/05                              |  |          |  |   |        |
|             |         |                |      | appd       | JOSEPH HSIA            | 04/06/05                              |  |          |  |   |        |
| sheet index |         | revision sheet |      |            |                        |                                       |  |          |  |   |        |

Tous droits strictement reserves. Reproduction ou communication a des tiers interdite sous quelque forme que ce soit sans autorisation ecrite du proprietaire. Propriete de c FCI. Droits de reproduction FCI.

**FCI**

All rights strictly reserved. Reproduction or issue to third parties in any form whatever is not permitted without written authority from the proprietor. Property of FCI. Copyright FCI.

A

A

B

B