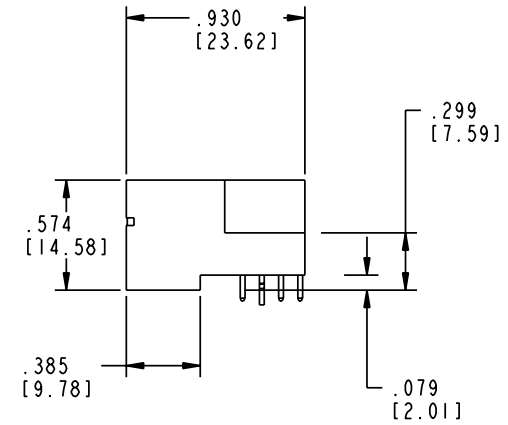
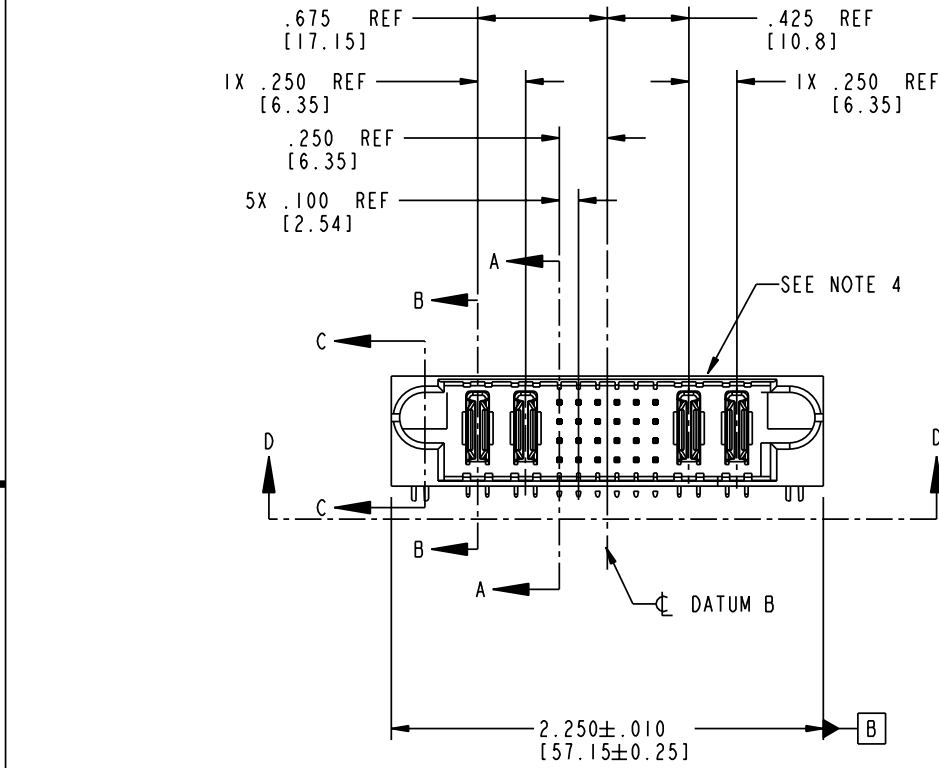
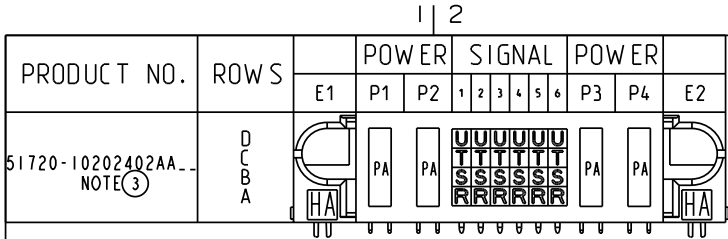


Tous droits strictement réservés. Reproduction ou communication a des tiers interdite sous quelque forme que ce soit sans autorisation écrite du propriétaire. Propriété de c FCI. Droits de reproduction FCI.

All rights strictly reserved. Reproduction or issue to third parties in any form whatever is not permitted without written authority from the proprietor. Property of FCI. Copyright FCI.

FCI



CODE	DIM "M" MATING LENGTH	CONTACT TYPE
R	.270 [6.86]	SIGNAL
S	.270 [6.86]	SIGNAL
T	.270 [6.86]	SIGNAL
U	.270 [6.86]	SIGNAL
PA	N/A [N/A]	POWER
HA	N/A [N/A]	HOLD-DOWN

mat'l code				tolerances unless otherwise specified		CUSTOMER	
lfr	ecn no.	dr	date	linear	.XX ± .01 / 0.XX ± 0.3	COPY	
A	V02749	CGD	11/27/00	projection	.XXX ± .005 / 0.XX ± 0.13	title	
B	V12844	DAI	12/27/01	angles	.XXX ± .0020 / 0.XXX ± 0.051	2P + 24S + 2P	
C	DG05-0064	SW	03/30/05		0° ± 2°	RIGHT ANGLE SOLDER HEADER	
				dr	C. DAILY 11/27/00	product family	PwrBlade
				engr	J. DODDS 11/27/00	size	dwg no
				chr	J. DODDS 11/24/00	A	51720-10202402AA
				appd	J. DODDS 11/27/00	code	213
sheet index	revision sheet	C	C	C	C	sheet	1 of 4
		1	2	3	4		

FCI www.fciconnect.com

scale: 1:1

STAT: **Released**

B

B

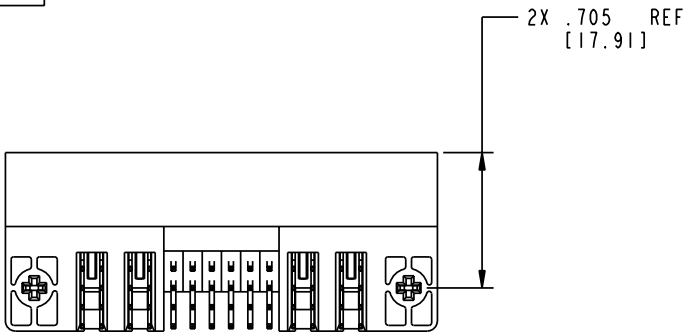
Tous droits strictement réservés. Reproduction ou communication a des tiers interdite sous quelque forme que ce soit sans autorisation écrite du propriétaire. Propriété de c FCI. Droits de reproduction FCI.

All rights strictly reserved. Reproduction or issue to third parties in any form whatever is not permitted without written authority from the proprietor. Property of FCI. Copyright FCI.

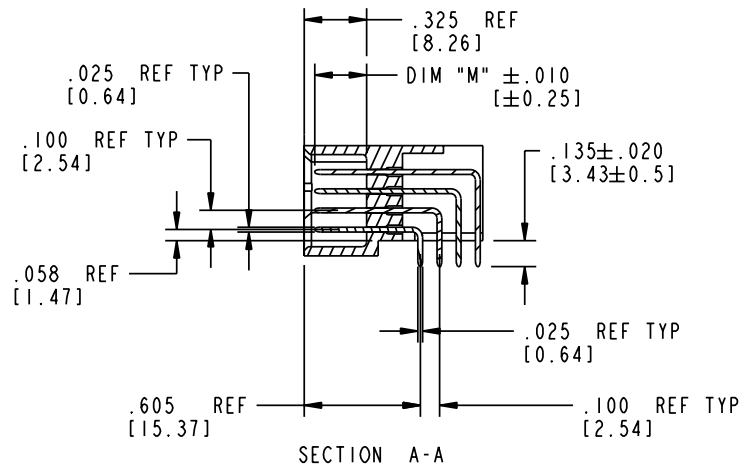
FCI

PRODUCT NUMBER

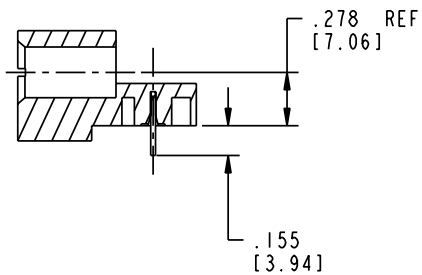
51720-10202402AA...
NOTE (3)



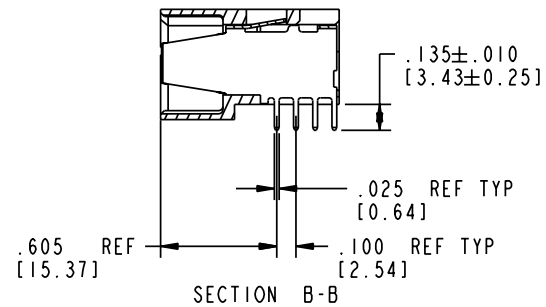
SECTION D-D



SECTION A-A



SECTION C-C



SECTION B-B

mat'l code		SEE NOTE 2		tolerances unless otherwise specified		CUSTOMER		 www.fciconnect.com	
lfr	ecn no.	dr	date	linear	.XX±.01/0.X±0.3	COPY		title	
C				projection	.XX±.005/0.XX±0.13			2P + 24S + 2P RIGHT ANGLE SOLDER HEADER	
				angles	.XXX±.0020/0.XXX±0.051			product family	
				dr	0°±2°	scale		PwrBlade	
				engr	C.DAILY 11/27/00	1:1		code	
				chr	J.DODDS 11/27/00			213	
				appd	J.DODDS 11/24/00			sheet	
sheet index		revision sheet						2 of 4	
								size A 51720-10202402AA	

Pro/E

PDM: Rev: C

STAT: ~~Released~~ **22526**

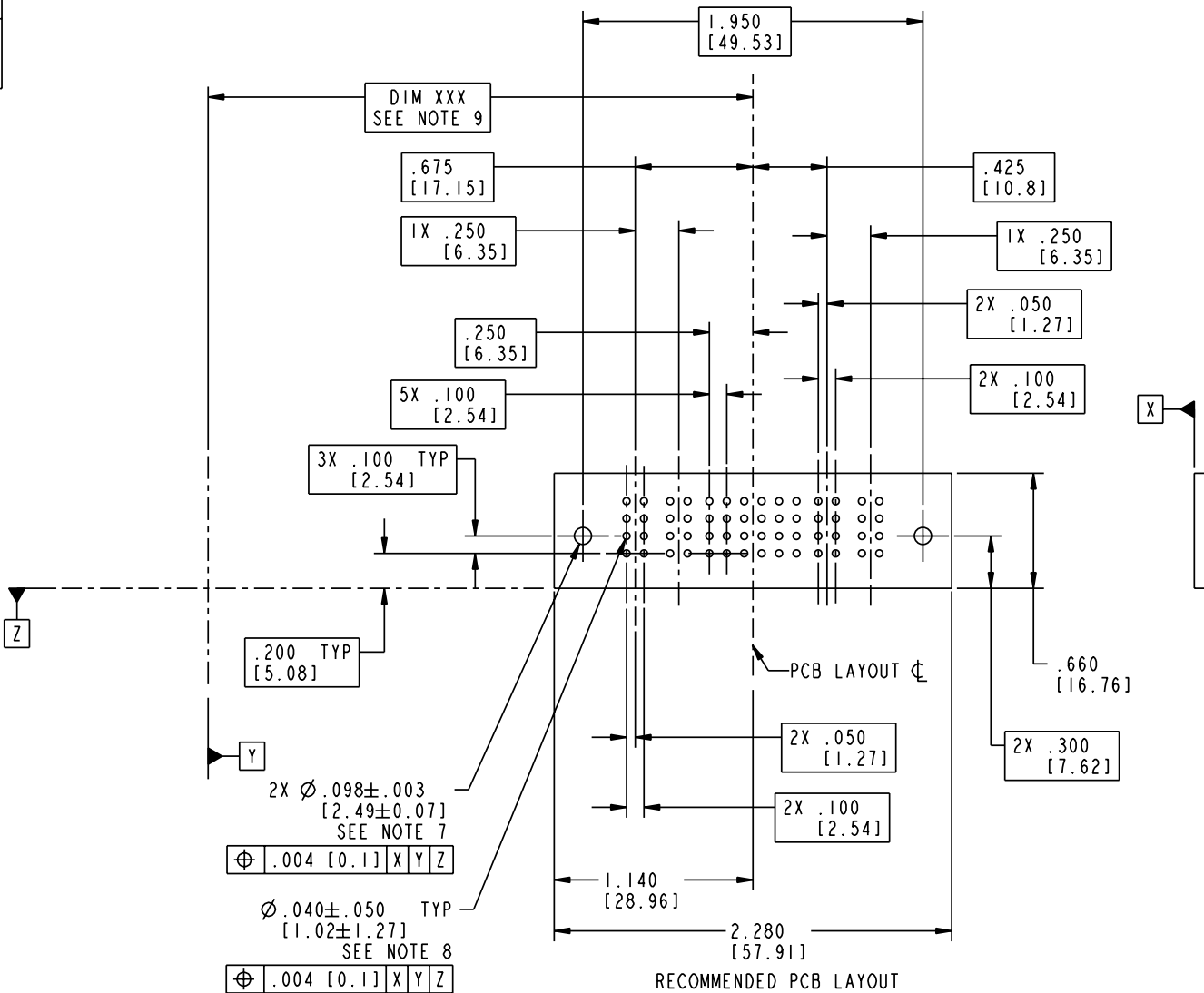
Printed: Aug 12, 2007

Tous droits strictement réservés. Reproduction ou communication a des tiers interdite sous quelque forme que ce soit sans autorisation écrite du propriétaire. Propriété de c FCI. Droits de reproduction FCI.

All rights strictly reserved. Reproduction or issue to third parties in any form whatever is not permitted without written authority from the proprietor. Property of FCI. Copyright FCI.

FCI

PRODUCT NUMBER
51720-10202402AA
 NOTE ③



RECOMMENDED PCB LAYOUT

mat'l code		SEE NOTE 2		tolerances unless otherwise specified		CUSTOMER		 www.fciconnect.com	
lfr	ecn no.	dr	date	linear	.XX±.01/0.X±0.3	COPY		title	
C				linear	.XXX±.005/0.XX±0.13	projection		2P + 24S + 2P	
				angles	.XXX±.0020/0.XXX±0.051			RIGHT ANGLE SOLDER HEADER	
				dr	0°±2°	scale		product family	
				enrg	C.DAILY 11/27/00	1:1		PwrBlade	
				enrg	J.DODDS 11/27/00			code	
				chr	J.DODDS 11/24/00			213	
				appd	J.DODDS 11/27/00			sheet	
sheet index		revision sheet						3 of 4	
								size	
								A 51720-10202402AA	

code code
 22526
 Released

Pro/E

PDM: Rev: C

STAT: US: Released Printed: Aug 12, 2007

Tous droits strictement réservés. Reproduction ou communication a des tiers interdite sous quelque forme que ce soit sans autorisation écrite du propriétaire. Propriété de c FCI. Droits de reproduction FCI.

A
FCI

All rights strictly reserved. Reproduction or issue to third parties in any form whatever is not permitted without written authority from the proprietor. Property of FCI. Copyright FCI.

B

1 | 2

3 |

4

PRODUCT NUMBER
51720-10202402AA--
NOTE ③

NOTES:

1. DIMENSIONS AND TOLERANCES ARE IN ACCORDANCE WITH ASME Y14.5M, 1994 UNLESS OTHERWISE SPECIFIED.

CONNECTORS NOTES:

2. HOUSING MATERIAL: UL 94 V-0 GLASS FILLED HIGH TEMP THERMO PLASTIC
POWER CONTACT MATERIAL: COPPER ALLOY
SIGNAL PIN MATERIAL: COPPER ALLOY

3. PLATING:

51720-10202402AA Singal Pin:30u"/0.76um Au OVER 50u"/1.27um Ni ON THE WHOLE AREA.
Power Pin:30u"/0.76um Au OVER 50u"/1.27um Ni ON THE CONTACT AREA,
AND 100u"/2.54um SnPb PLATING OVER 50u"/1.27um Ni ON THE TERMINATION SECTION.

51720-10202402AALF Singal Pin:30u"/0.76um Au OVER 50u"/1.27um Ni ON THE WHOLE AREA.
Power Pin:30u"/0.76um Au OVER 50u"/1.27um Ni ON THE CONTACT AREA,
AND 78u"/2.00um Sn PLATING OVER 50u"/1.27um Ni ON THE TERMINATION SECTION.

PART NUMBER 51720-10202402AALF MEETS EUROPEAN UNION DIRECTIVE AND OTHER COUNTRY REGULATIONS AS DESCRIBED IN GS-22-008.

THE HOUSING WILL WITHSTAND EXPOSURE TO 260° PEAK TEMPERATURE FOR 10 SECONDS IN A WAVE SOLDER APPLICATION WITH A CIRCUIT BOARD.

4. "MANUFACTURER" NAME, P/N, AND DATE CODE TO APPEAR ON THIS SURFACE.

5. PRODUCT SPECIFICATION GS-12-149.


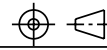
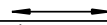
PCB - NOTES:

6. ALL HOLE DIAMETERS ARE FINISHED HOLE SIZE.

7. HOLD DOWN THROUGH HOLES ARE UNPLATED.

8. $\varnothing .0453 \pm 0.0010$ [1.151 \pm 0.025] DRILLED HOLES PLATED WITH 0.0003 [0.008] MIN SnPb OVER .001 [0.03] TO .003 [0.08] Cu PLATING TO ACHIEVE $\varnothing .040 \pm .003$ [1.02 \pm .07] HOLE.

9. "DIM XXX" TO BE DETERMINED BY THE CUSTOMER.

mat'l code				SEE NOTE 2		tolerances unless otherwise specified		CUSTOMER		 www.fciconnect.com	
lfr	ecr no.	dr	date	linear	.XX±.01/0.X±0.3		COPY		 projection	title	
C					.XXX±.005/0.XX±0.13		 scale			2P + 24S + 2P RIGHT ANGLE SOLDER HEADER	
					.XXX±.0020/0.XXX±0.051		1:1			product family PwrBlade code size dwg no 213 sheet 4 of 4	
				angles	0° ± 2°						
				dr	C.DAILY	11/27/00					
				enrg	J.DODDS	11/27/00					
				chr	J.DODDS	11/24/00					
				appd	J.DODDS	11/27/00					
sheet index	revision sheet										

A

B

1 | 2

Pro/E

PDM: Rev: C

STAT US: Released **22526**

4 Printed: Aug 12, 2007