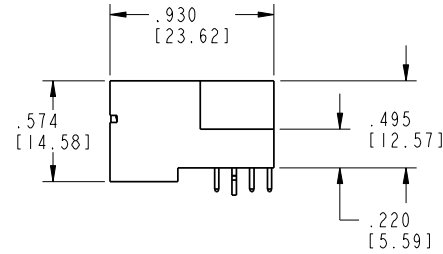
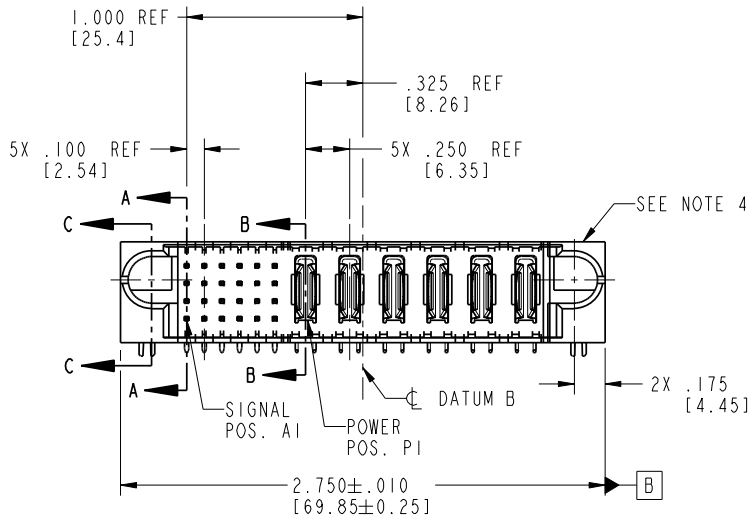


Tous droits strictement réservés. Reproduction ou communication o des liens interdite sous quelque forme que ce soit sans autorisation écrite du propriétaire. Propriete de c FCI. Drois de reproduction FCI.



All rights strictly reserved. Reproduction or issue to third parties in any form whatever is not permitted without written authority from the proprietor. Property of FCI. Copyright FCI.

| PRODUCT NO. | ROWS | SIGNAL | | | | | | POWER | | | | | | | |
|-------------|------------------|---------------------------------|---------------------------------|---------------------------------|---------------------------------|---------------------------------|---------------------------------|-------|----|----|----|----|----|----|----|
| | | E1 | 1 | 2 | 3 | 4 | 5 | 6 | P1 | P2 | P3 | P4 | P5 | P6 | E2 |
| 51731-034 | D C B A | U U U U U U U | S S S S S S S | S S S S S S S | S S S S S S S | S S S S S S S | S S S S S S S | PA | PA | PA | PA | PA | PA | PA | HA |

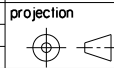


| CODE | DIM "M" MATING LENGTH | CONTACT TYPE |
|------|-----------------------|--------------|
| R | .270 [6.86] | SIGNAL |
| S | .270 [6.86] | SIGNAL |
| T | .270 [6.86] | SIGNAL |
| U | .270 [6.86] | SIGNAL |
| PA | N/A [N/A] | POWER |
| HA | N/A [N/A] | HOLD-DOWN |
| F | .220 [5.59] | SIGNAL |

| mat'l code | | | | SEE NOTE 2 | | tolerances unless otherwise specified | | CUSTOMER | |
|-------------|----------------|----|----------|---------------------------|------------|---------------------------------------|--|------------------------------------|--|
| ltr | ecn no. | dr | date | linear | projection | COPY | | FCI www.fciconnect.com | |
| A | DG05-0431 | SW | 11/01/05 | .XX±.01/0.X±0.3 | ⊕ | INCH/MM | | title 24S + 6P | |
| B | DG08-0253 | SH | 09/13/08 | .XXX±.005/0.XX±0.13 | ⊕ | scale 1:1 | | RIGHT ANGLE SOLDER HEADER | |
| C | DG11-0024 | HZ | 01/20/11 | .XXX±.0020/0.XX±0.051 | ⊕ | | | product family PwrBlade code 213 | |
| | | | | angles 0°±2° | | | | size dwg no 51731-034 sheet 1 of 4 | |
| | | | | dr STEVEN WANG 11/01/05 | | | | | |
| | | | | enrg STEVEN WANG 11/01/05 | | | | | |
| | | | | chr VICTOR LIN 11/01/05 | | | | | |
| | | | | appd JOSEPH HSIA 11/01/05 | | | | | |
| sheet index | revision sheet | C | C | C | C | | | | |
| | | 1 | 2 | 3 | 4 | | | | |



www.fciconnect.com



INCH/MM

scale 1:1

title 24S + 6P
RIGHT ANGLE SOLDER HEADER
product family PwrBlade code 213
size dwg no 51731-034 sheet 1 of 4

cage code 22526

Pro/E

PDM: Rev:C

STATUS:Released

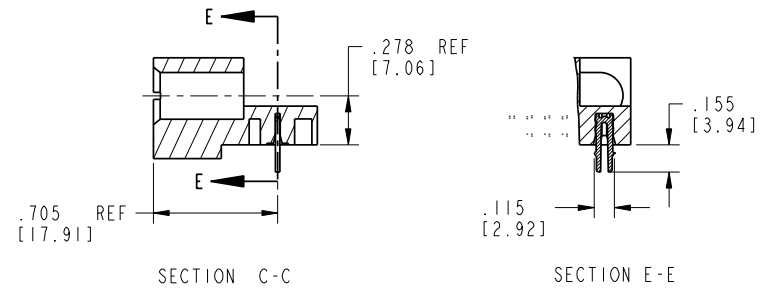
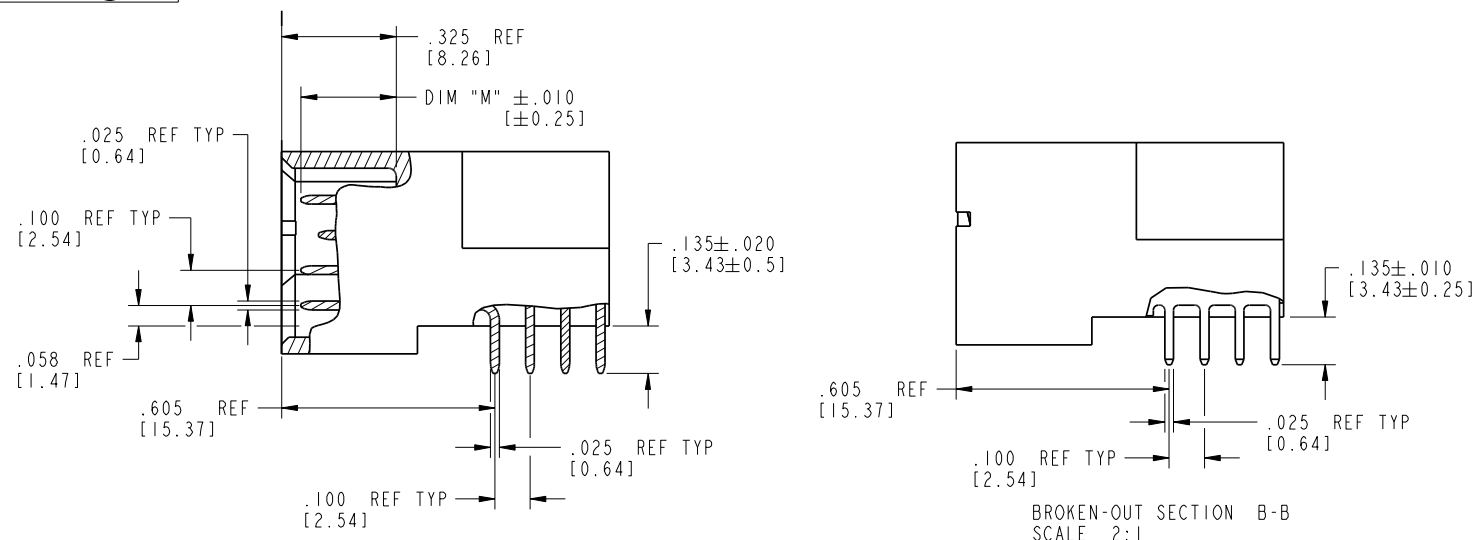
Printed: Jan 21, 2011

Tous droits strictement réservés. Reproduction ou communication o des tiers interdite sous quelque forme que ce soit sans autorisation écrite du propriétaire. Propriété de c FCI. Droits de reproduction FCI.

All rights strictly reserved. Reproduction or issue to third parties in any form whatever is not permitted without written authority from the proprietor. Property of FCI. Copyright FCI.



PRODUCT NUMBER
51731-034--
NOTE(3)



| | | | | | | | | | | | |
|-------------|----------------|------------|------|---------------------------------------|------------------------|----------|--|---------------------------|--|--------------------|--|
| mat'l code | | SEE NOTE 2 | | tolerances unless otherwise specified | | CUSTOMER | | FCI | | www.fciconnect.com | |
| lfr | ecn no. | dr | date | linear | .XX±.01/0.X±0.3 | COPY | | projection | | title | |
| c | | | | angles | .XXX±.005/0.XX±0.13 | INCH/MM | | RIGHT ANGLE SOLDER HEADER | | product family | |
| | | | | dr | .XXX±.0020/0.XXX±0.051 | scale | | A | | PwrBlade | |
| | | | | engr | 0°±2° | 1:1 | | 51731-034 | | code | |
| | | | | chr | | | | 213 | | sheet | |
| | | | | appd | | | | 2 of 4 | | sheet | |
| sheet index | revision sheet | | | | | | | | | | |

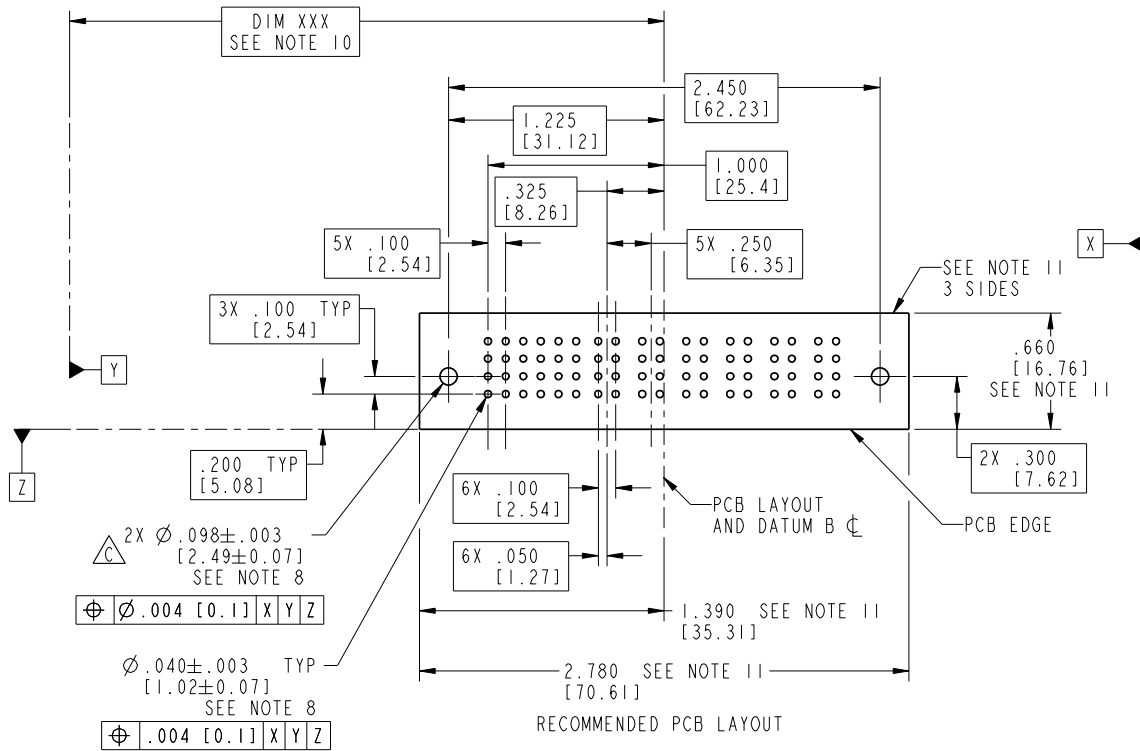
cage code 22526

Tous droits strictement réservés. Reproduction ou communication o des liens interdite sous quelque forme que ce soit sans autorisation écrite du propriétaire. Propriété de c FCI. Droits de reproduction FCI.



All rights strictly reserved. Reproduction or issue to third parties in any form whatever is not permitted without written authority from the proprietor. Property of FCI. Copyright FCI.

PRODUCT NUMBER
51731-034--
NOTE(3)



| | | | | | | | | | |
|--------------------------|----------------|----|------|---------------------------------------|-----------------------|---------------------|--|----------------------------|--|
| mat'l code SEE NOTE 2 | | | | tolerances unless otherwise specified | | CUSTOMER | | FCI www.fciconnect.com | |
| ltr | ecn no. | dr | date | linear | .XX±.01/0.X±0.3 | COPY | | title 24S + 6P | |
| c | | | | projection | .XXX±.005/0.XX±0.13 | INCH/MM | | RIGHT ANGLE SOLDER HEADER | |
| | | | | angles | .XXX±.0020/0.XX±0.051 | scale 1:1 | | product family PwrBlade | |
| | | | | dr | 0°±2° | size A | | code 213 | |
| | | | | enrg | STEVEN WANG 11/01/05 | dwg no 51731-034 | | sheet 3 of 4 | |
| | | | | chr | STEVEN WANG 11/01/05 | cage code 22526 | | | |
| | | | | appd | VICTOR LIN 11/01/05 | | | | |
| | | | | | JOSEPH HSIA 11/01/05 | | | | |
| sheet index | revision sheet | | | | | | | | |

Pro/E

PDM: Rev:C

STATUS:Released

Printed: Jan 21, 2011

Tous droits strictement réservés. Reproduction ou communication o des tiers interdite sous quelque forme que ce soit sans autorisation écrite du propriétaire. Propriété de c FCI. Droits de reproduction FCI.



All rights strictly reserved. Reproduction or issue to third parties in any form whatever is not permitted without written authority from the proprietor. Property of FCI. Copyright FCI.

PRODUCT NUMBER
51731-034
NOTE ③

NOTES:

1. DIMENSIONS AND TOLERANCES ARE IN ACCORDANCE WITH ASME Y14.5M, 1994 UNLESS OTHERWISE SPECIFIED.

CONNECTOR NOTES:

HOUSING MATERIAL: UL 94 V-0 GLASS FILLED HIGH-TEMP THERMOPLASTIC
POWER CONTACT MATERIAL: COPPER ALLOY
SIGNAL PIN MATERIAL: COPPER ALLOY

3. SEE ITEM 1 & 2 IN PRINT 10064183 FOR PLATING SPEC OF 51731-034 AND 51731-034LF RESPECTIVELY.

4. MANUFACTURER'S NAME, P/N, AND DATE CODE TO APPEAR ON THIS SURFACE.

5. PRODUCT SPECIFICATION GS-12-149.
APPLICATION SPECIFICATION BUS-20-067.

6. PACKAGED IN TRAYS.

PCB NOTES:

7. ALL HOLE DIAMETERS ARE FINISHED HOLE SIZE.

8. MOUNTING HOLES, WHERE APPLICABLE, ARE UNPLATED.

9. $\varnothing .0453 \pm .0010$ [1.151 \pm 0.025] DRILLED HOLES PLATED WITH .0003 [0.008] MIN SnPb OVER .001 [0.03] TO .003 [0.08] Cu PLATING TO ACHIEVE $\varnothing .040 \pm .003$ [1.02 \pm .07] HOLE.

10. "DIM XXX" TO BE DETERMINED BY THE CUSTOMER.

11. CONNECTOR KEEP-OUT ZONE.

17. A \triangle SYMBOL WILL BE NEXT TO ANY DIMENSION, VIEW, OR NOTE WHICH HAS BEEN MODIFIED WITH THE CURRENT DRAWING REVISION.

| | | | | | | | | | | | | | | |
|-------------|----------------|----|------|------------|------------------------|---------------------------------------|---------|----------|------------|---------------------------|--|--------------------|----------|-------|
| mat'l code | | | | SEE NOTE 2 | | tolerances unless otherwise specified | | CUSTOMER | | FCI | | www.fciconnect.com | | |
| lfr | ecn no. | dr | date | linear | .XX±.01/0.X±0.3 | | COPY | | projection | title | | | 24S + 6P | |
| c | | | | | .XXX±.005/0.XX±0.13 | | INCH/MM | | | RIGHT ANGLE SOLDER HEADER | | | code | 213 |
| | | | | angles | .XXX±.0020/0.XXX±0.051 | | scale | | A | product family | | PwrBlade | | |
| | | | | dr | 0°±2° | | 1:1 | | | size | | dwg no | | sheet |
| | | | | enr | STEVEN WANG | 11/01/05 | | | 51731-034 | | | | | |
| | | | | chr | STEVEN WANG | 11/01/05 | | | | | | | | |
| | | | | appd | VICTOR LIN | 11/01/05 | | | | | | | | |
| | | | | | JOSEPH HSIA | 11/01/05 | | | | | | | | |
| sheet index | revision sheet | | | | | | | | | | | | | |

cage code 22526 4